

PPUH AUTO-HAK Sp.J.

Henryk i Zbigniew Nejman
ul. Słoneczna 16K 76-200 SŁUPSK
POLAND




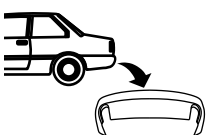
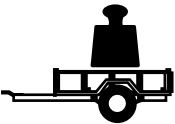

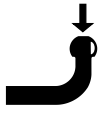
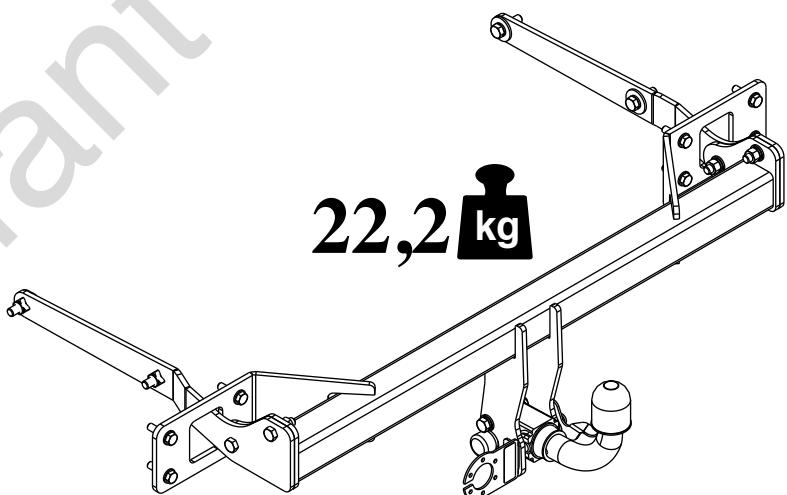



tel/fax +48 59 8 414 414; +48 59 8 414 413

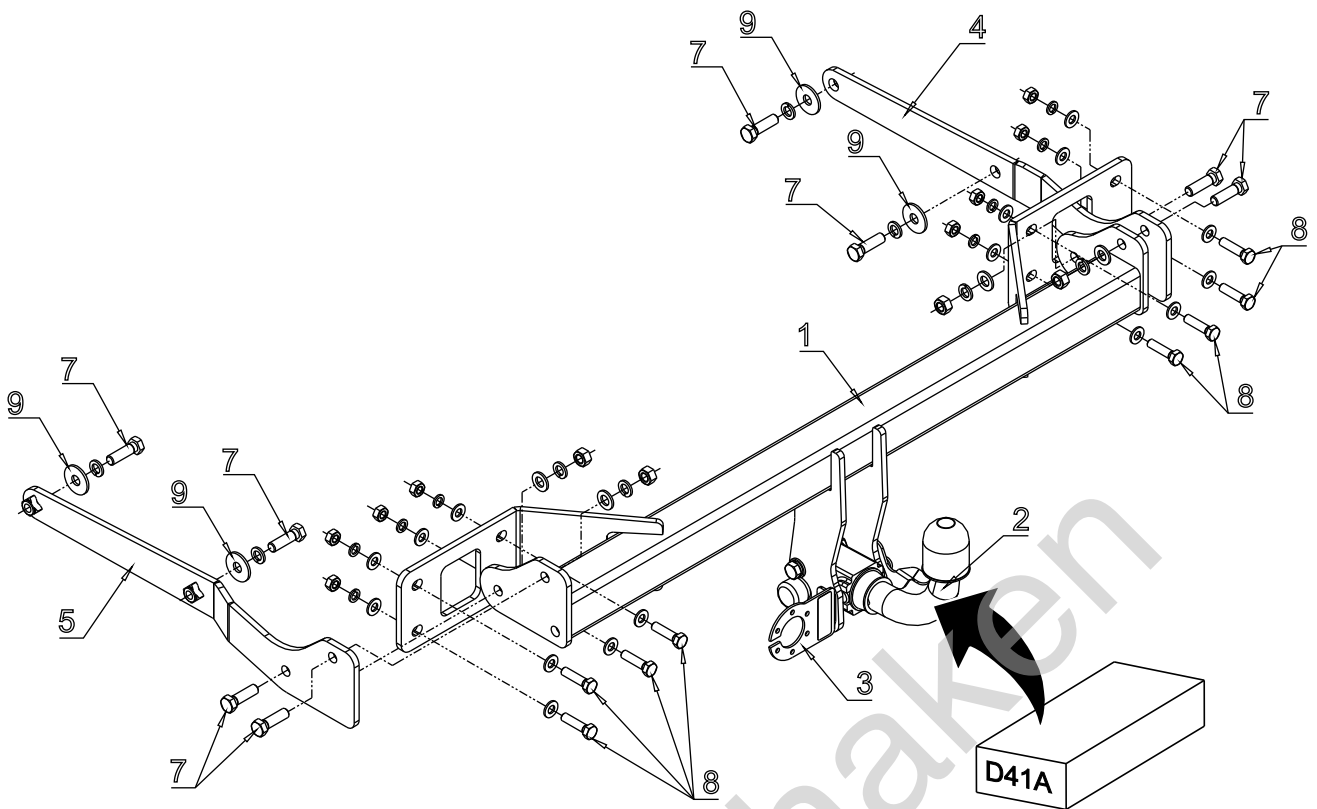
e-mail: office@autohak.com.pl

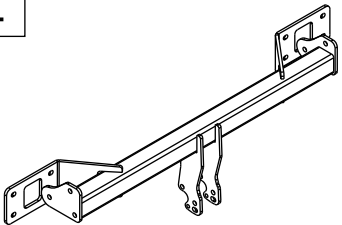

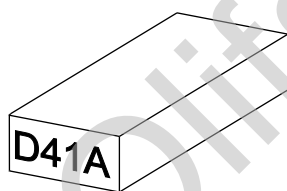

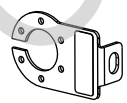
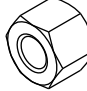
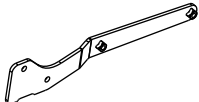
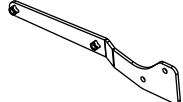
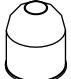
www.autohak.com.pl



AUTO-HAK

	MERCEDES GLK (X204), Sportpaket	Cat. no:	
	10.2008 →	D41A	
e20	e20*94/20*1326*00		2h
D	11,2 kN		<input checked="" type="checkbox"/>
	R=2100 kg		<input checked="" type="checkbox"/>
	S=80 kg		
 22,2 kg			
	M6 - 11 Nm	M8 - 25 Nm	
	M10 - 50 Nm	M12 - 87 Nm	
	M14 - 138 Nm	M16 - 210 Nm	
	 0 km →  1000 km		



1		x1		7	M12x40	x8
				8	M10x40	x8
2		x1		9	∅ 37x∅13x3 13 (DIN 9021)	x4
				10	∅ 13	x4
				11	∅ 10.5	x16
				12	∅ 12.2	x8
				13	∅ 10.2	x8
3		x1		14	M12	x6
				15	M10	x8
4		x1				
5		x1				
6		x1				

