

PPUH AUTO-HAK Sp.J.

Henryk i Zbigniew Nejman
ul. Słoneczna 16K 76-200 SŁUPSK
POLAND

tel/fax +48 59 8 414 414; +48 59 8 414 413

e-mail: office@autohak.com.pl

www.autohak.com.pl



AUTO-HAK



MERCEDES M-KLASA ML
(W164), ~~AMG~~

Cat. no:

D37A



07.2005 → 10.2011

e20

e20*94/20*0345*00

D

15,4 kN



2,5h



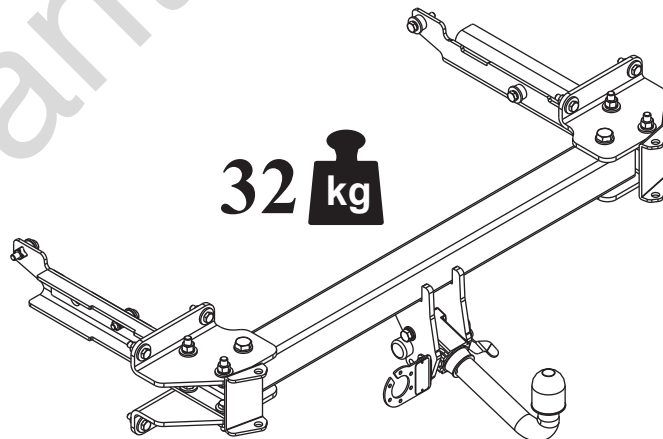
R=3500 kg



S=140



32 kg



M6 - 11 Nm
M10 - 50 Nm
M14 - 138 Nm

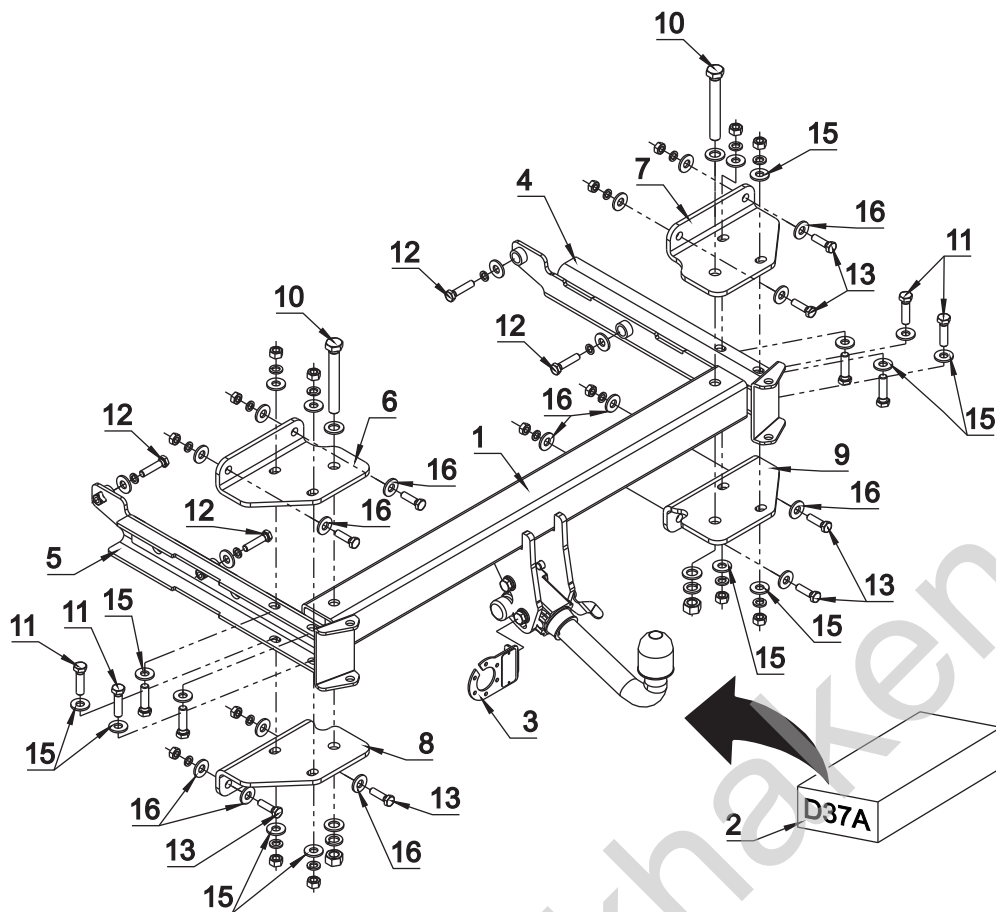
M8 - 25 Nm
M12 - 87 Nm
M16 - 210 Nm

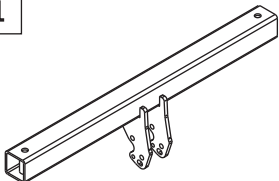

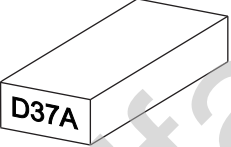

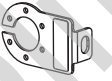



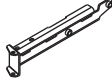

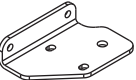

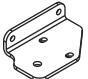

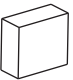

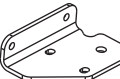


0 km →



1000 km



1		x1		10	M16x120	x2
				11	M12x45	x8
2		x1		12	M10x45	x4
				13	M10x35	x8
3		x1		14	∅ 17	x4
				15	∅ 37x∅13x3 13 DIN 9021	x16
4		x1		16	∅ 30x∅10.5x2.5 10 DIN 9021	x20
				17	∅ 16.3	x2
5		x1		18	∅ 12.2	x8
				19	∅ 10.2	x12
6		x1		20	M16	x2
				21	M12	x8
7		x1		22	M10	x8
				23		x4
8		x1				
9		x1				

