

# PPUH AUTO-HAK Sp.J.

Henryk i Zbigniew Nejman  
ul. Słoneczna 16K 76-200 SŁUPSK  
POLAND

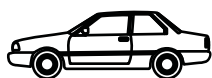
tel/fax +48 59 8 414 414; +48 59 8 414 413

e-mail: [office@autohak.com.pl](mailto:office@autohak.com.pl)

[www.autohak.com.pl](http://www.autohak.com.pl)



# AUTO-HAK



## MERCEDES

Cat. no:

# D32A

(W169) A-klasa, 3/5 D - 09.2004 → 08.2012

(W245) B-klasa, 5 D, ~~AMG~~ - 03.2005 → 10.2011

**E20**

**E20-55R-01 4168**

**D**

**8,5 kN**



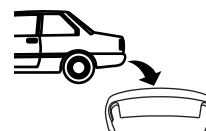
**R=1500 kg**



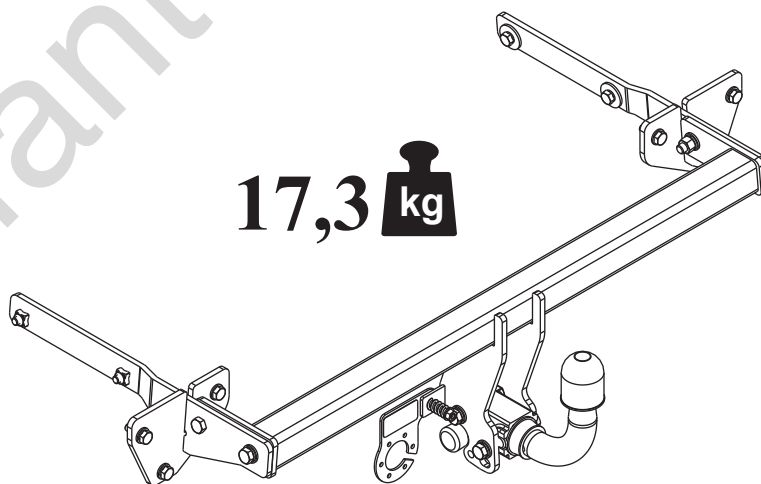
**S=80 kg**



**2h**



**17,3 kg**



M6 - 11 Nm  
M10 - 50 Nm  
M14 - 138 Nm

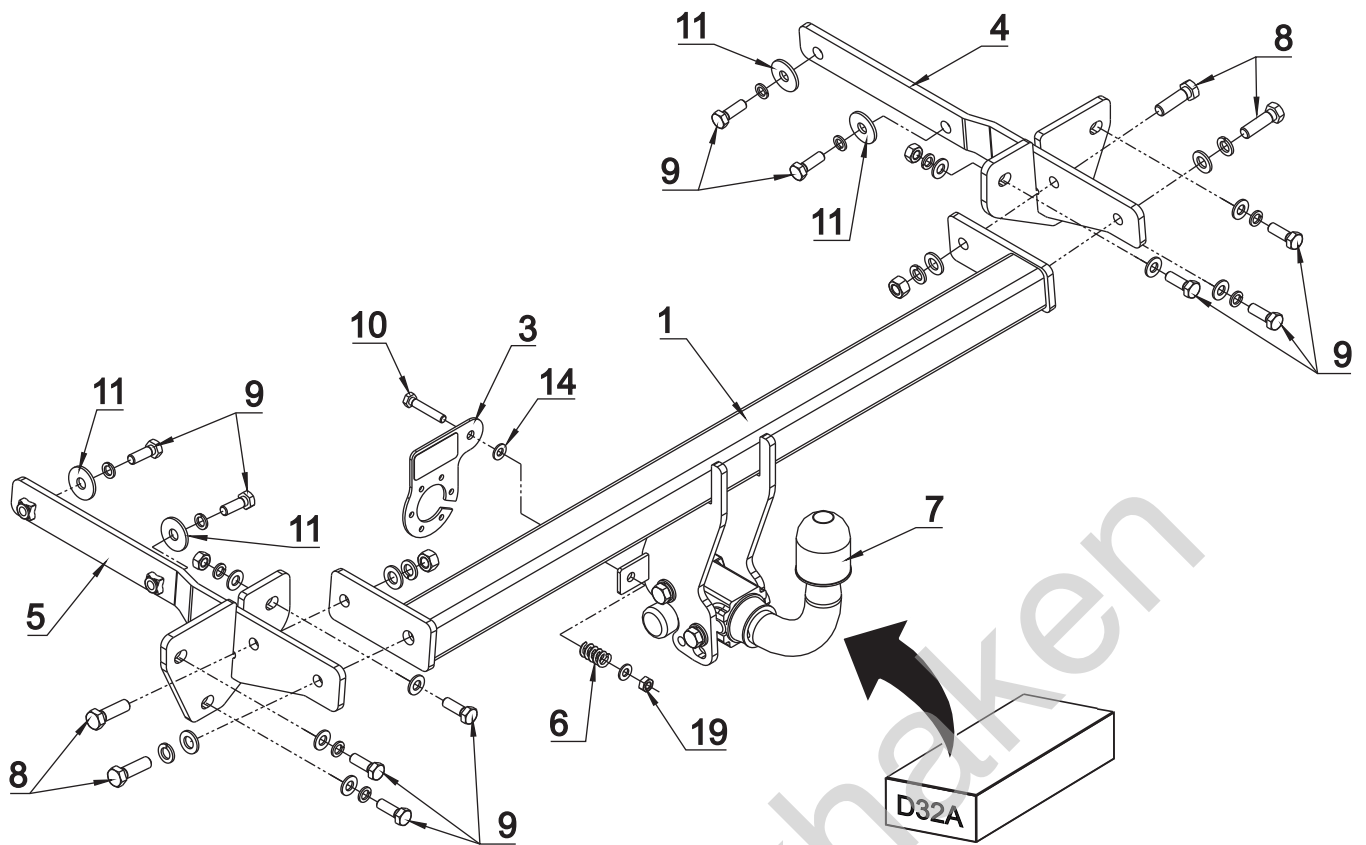
M8 - 25 Nm  
M12 - 87 Nm  
M16 - 210 Nm

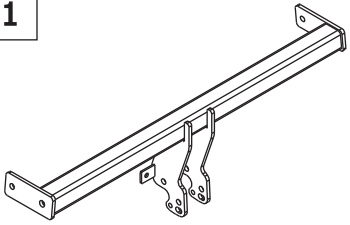

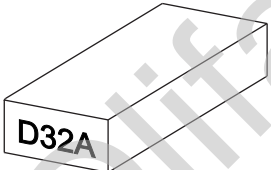

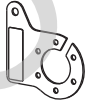

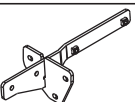

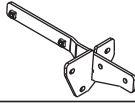






**0 km**

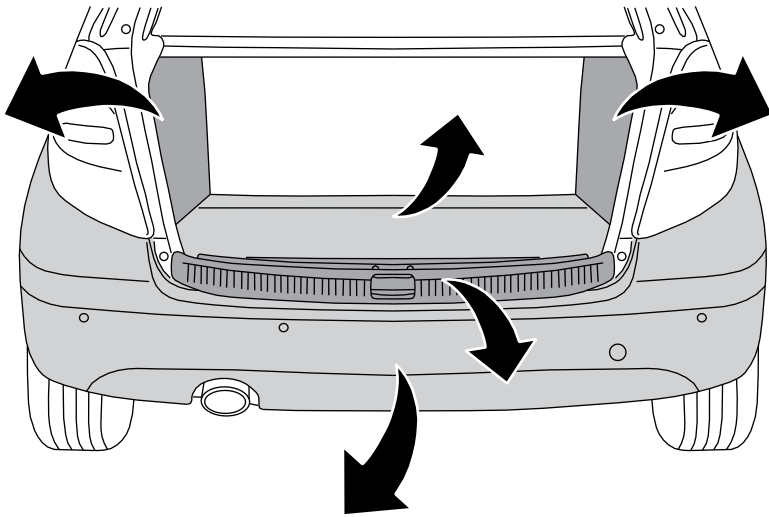


**1000 km**

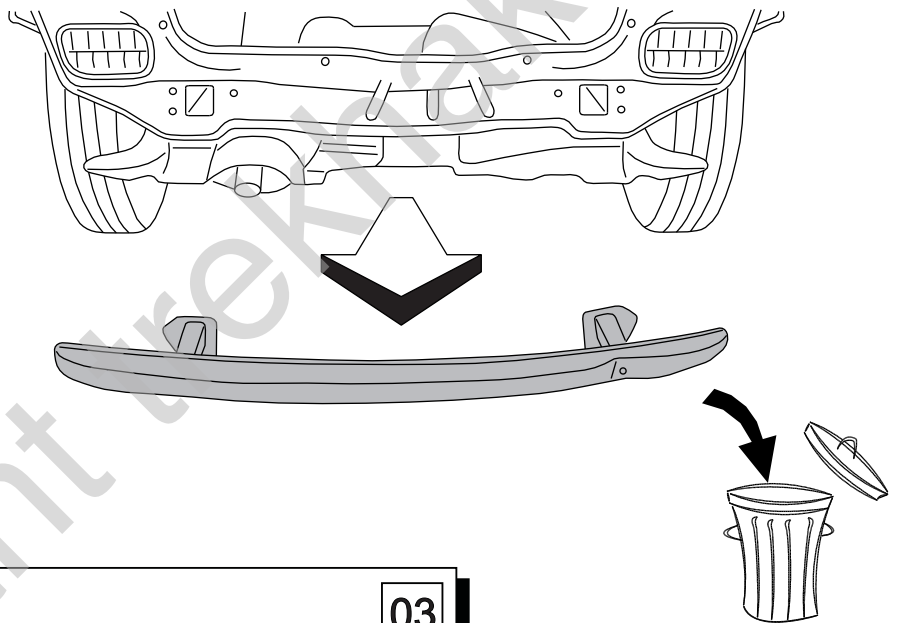


|   |     |   |    |  |      |
|---|-----|---|----|--|------|
|  | x 1 |  | 8  | M12x40   | x 4  |
|   |     |   | 9  | M10x35   | x 10 |
|  | x 1 |  | 10 | M8x45  | x 1  |
|   |     |   | 11 | $\varnothing 30 \times \varnothing 10.5 \times 2.5$<br>10 (DIN 9021) | x 4  |
|  | x 1 |  | 12 | $\varnothing 13$   | x 2  |
|   |     |   | 13 | $\varnothing 10.5$   | x 8  |
|  | x 1 |  | 14 | $\varnothing 8.5$  | x 2  |
|   |     |   | 15 | $\varnothing 12.2$   | x 4  |
|  | x 1 |  | 16 | $\varnothing 10.2$   | x 10 |
|   |     |   | 17 | M12  | x 2  |
|  | x 1 |  | 18 | M10  | x 2  |
|   |     |   | 19 | M8   | x 1  |
|  | x 1 |   |    |  |      |

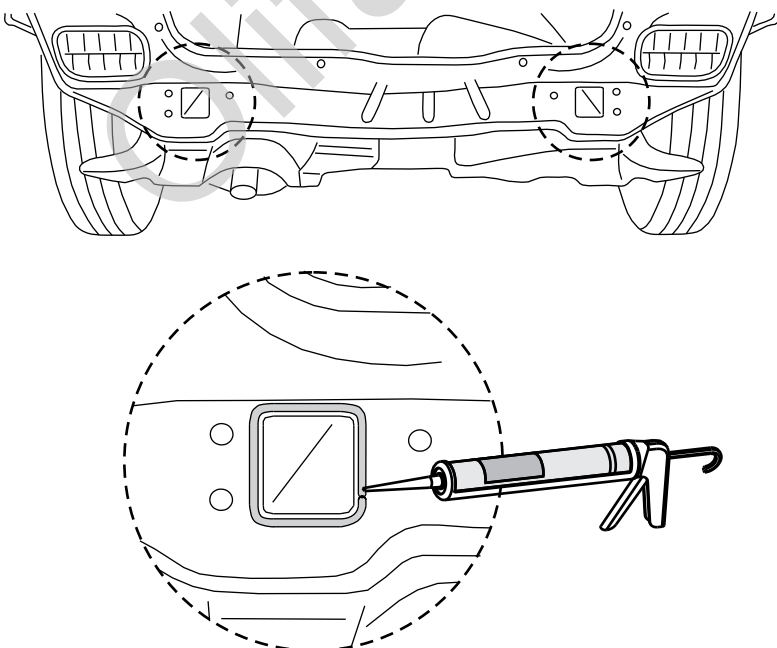
01



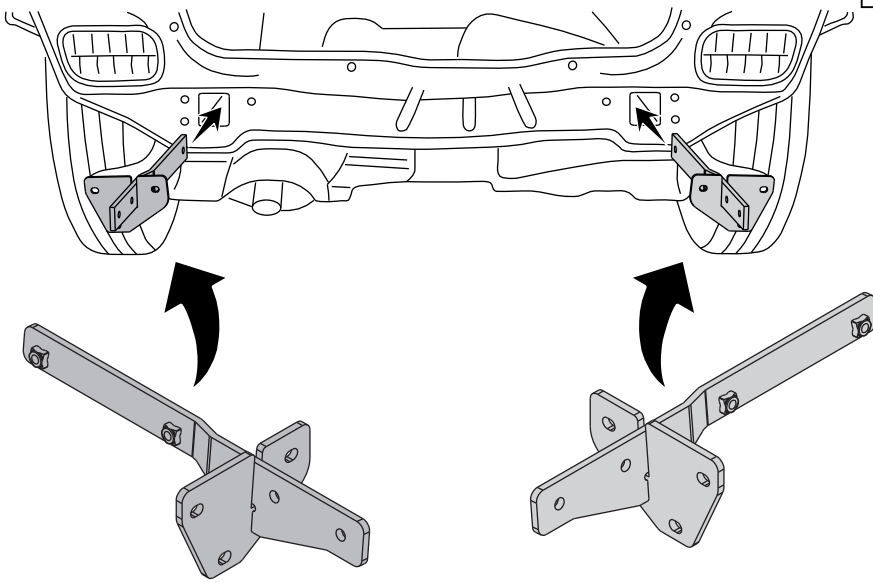
02



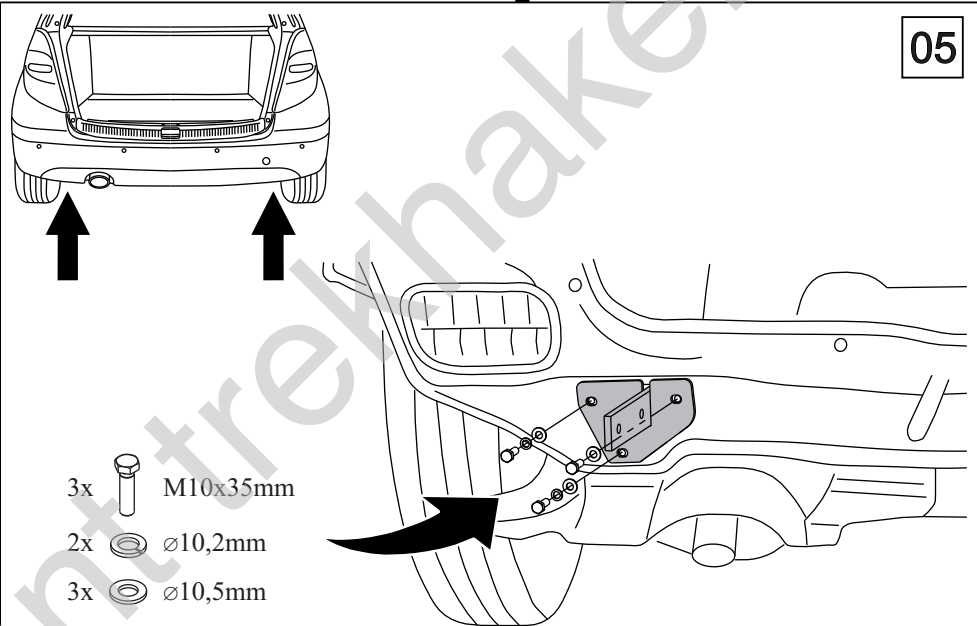
03



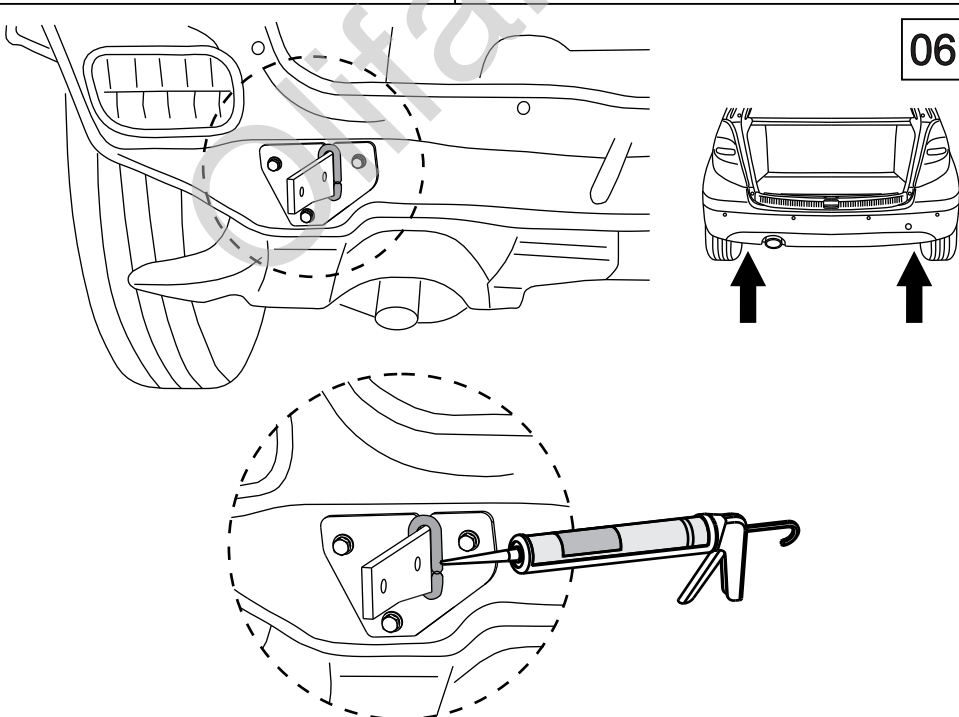
04

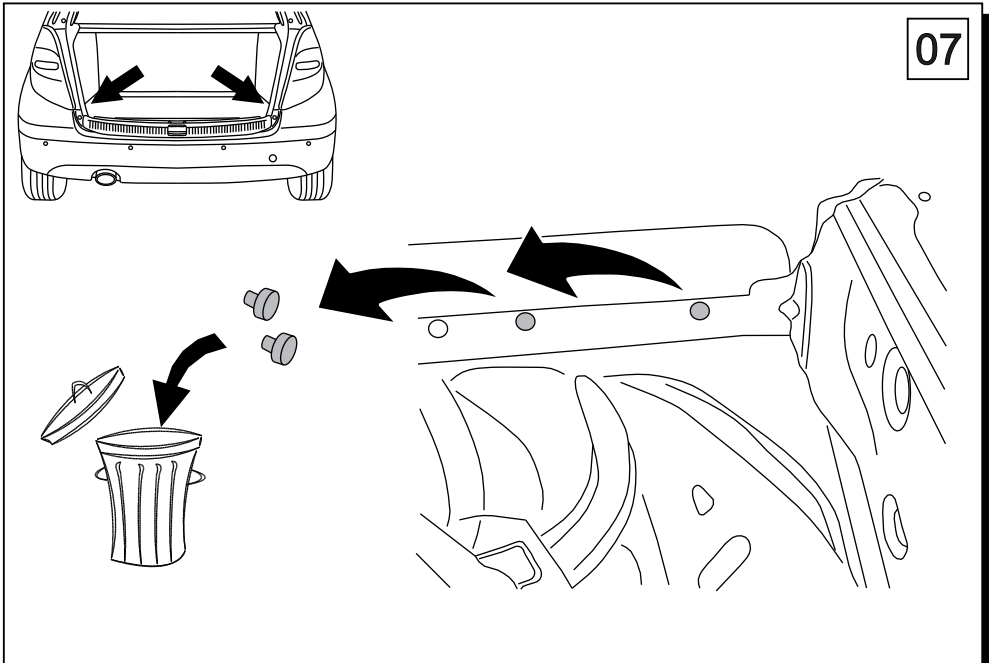


05

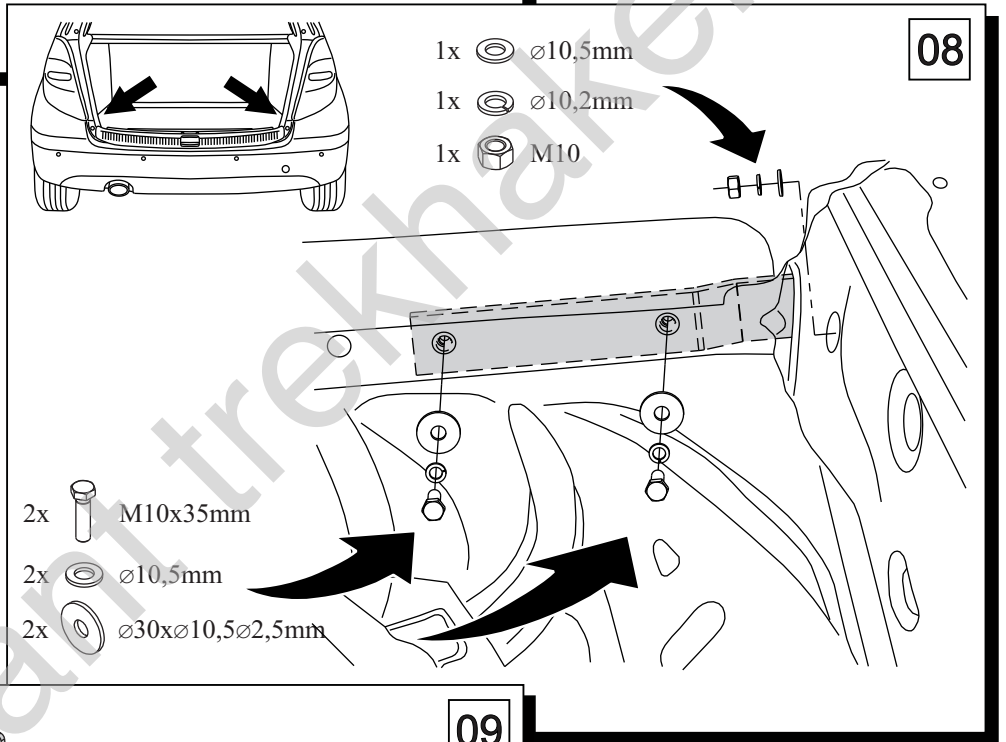


06

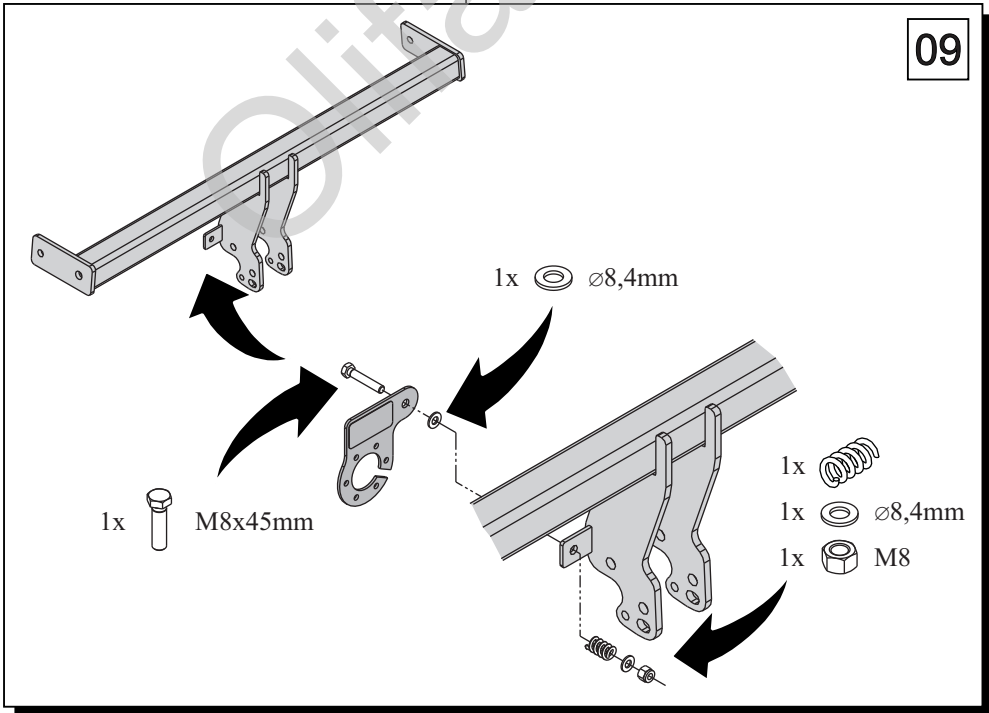




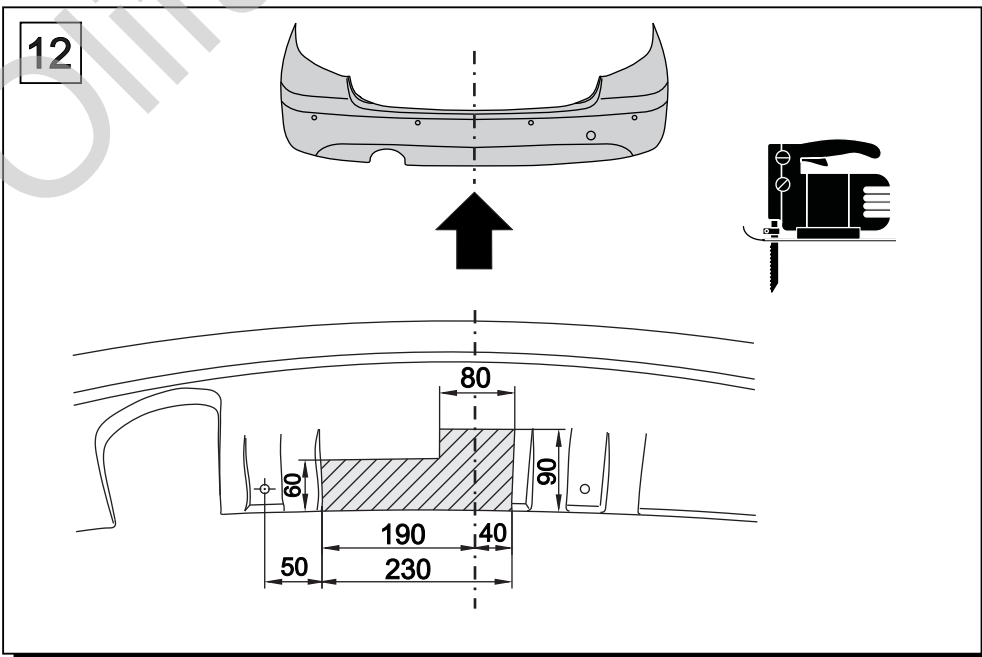
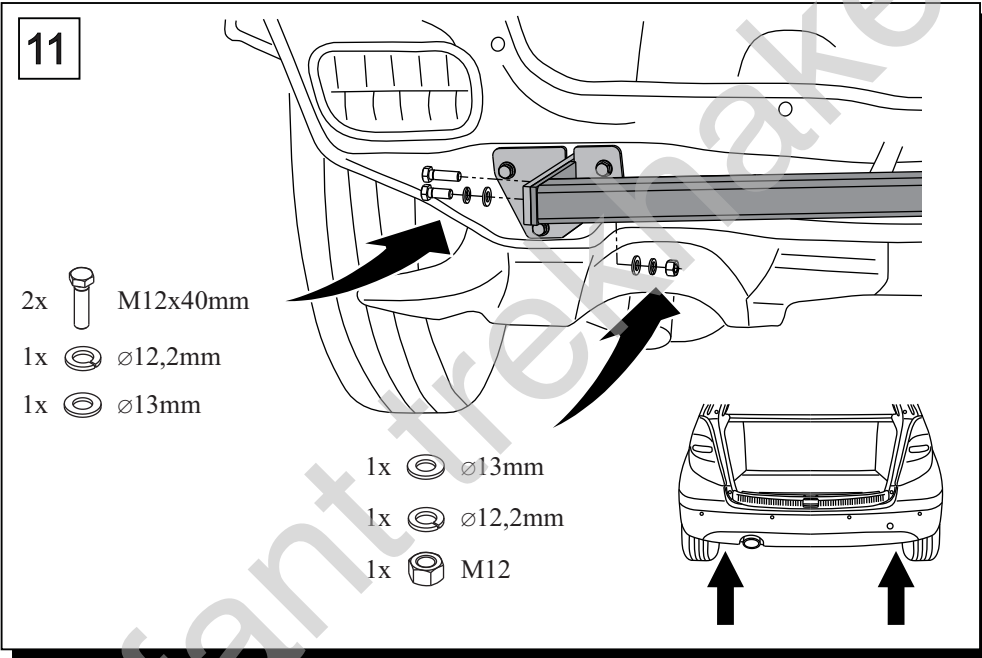
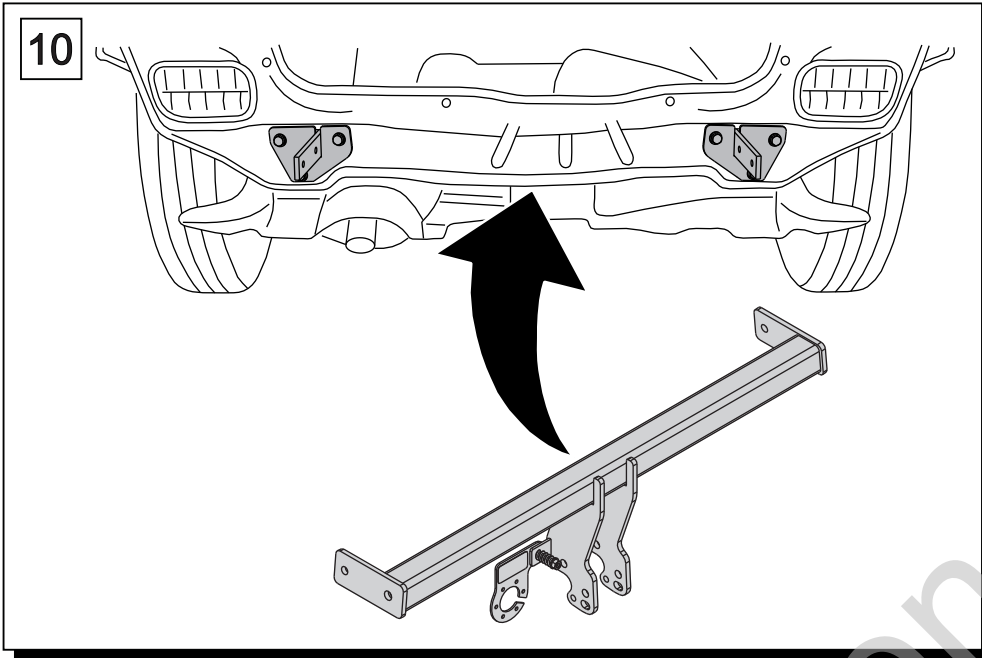
07



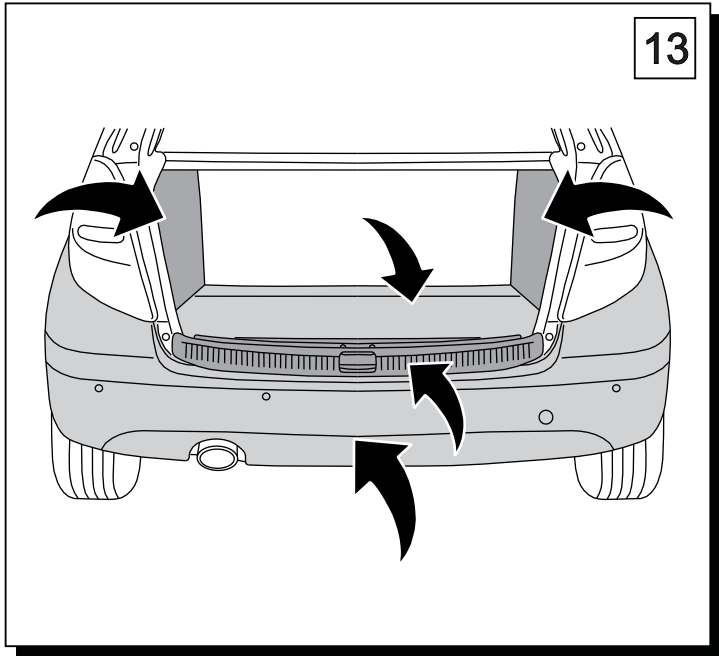
08



09



13



14

