

# PPUH AUTO-HAK Sp.J.

Henryk i Zbigniew Nejman  
ul. Słoneczna 16K 76-200 SŁUPSK  
POLAND

tel/fax +48 59 8 414 414; +48 59 8 414 413

e-mail: [office@autohak.com.pl](mailto:office@autohak.com.pl)

[www.autohak.com.pl](http://www.autohak.com.pl)



# AUTO-HAK

## MERCEDES "C"

• (W203) 4 drz., 4x4, ~~AMG~~  
06.2000 → 02.02007

• (S203) Kombi, 4x4, ~~AMG~~  
04.2001 → 08.2007

Cat. no:

**D29A**



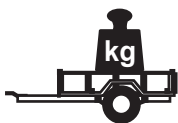
E20-55R-01 4165



**2h**

**D**

9,1 kN



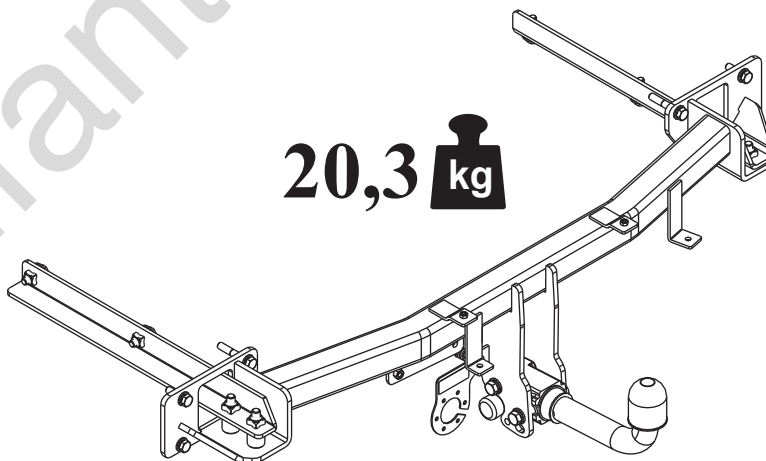
R=1700 kg



S=75 kg



**20,3 kg**



M6 - 11 Nm  
M10 - 50 Nm  
M14 - 138 Nm

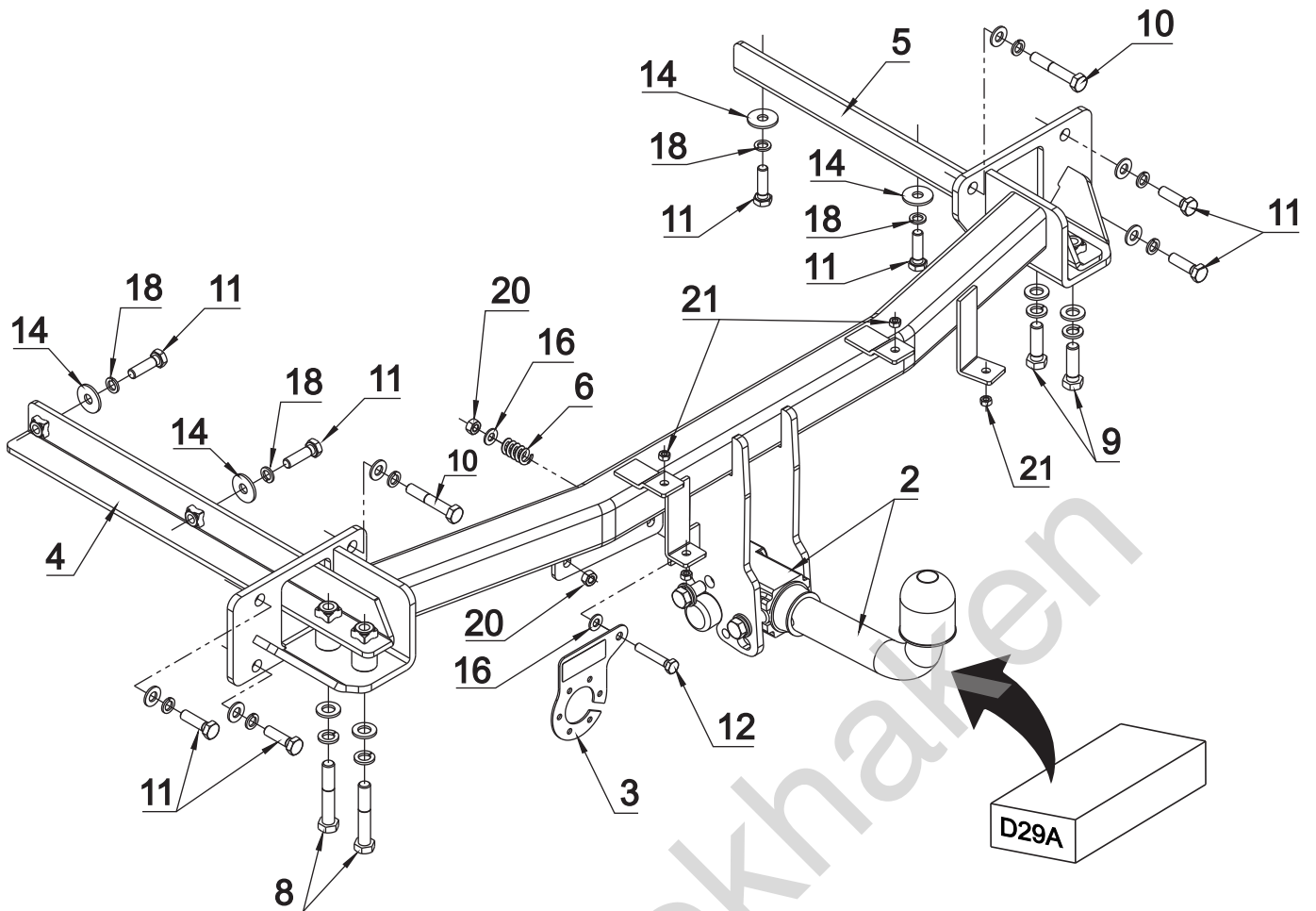
M8 - 25 Nm  
M12 - 87 Nm  
M16 - 210 Nm

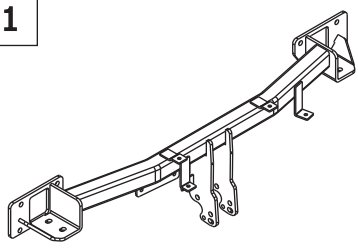

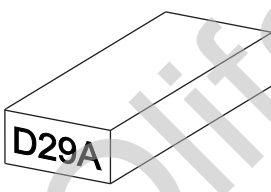

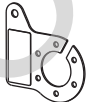




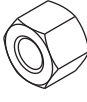
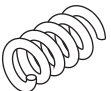



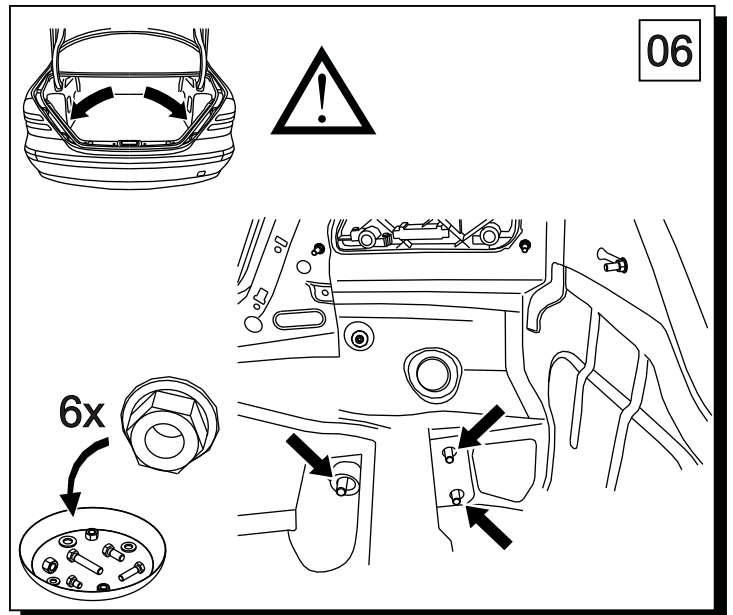
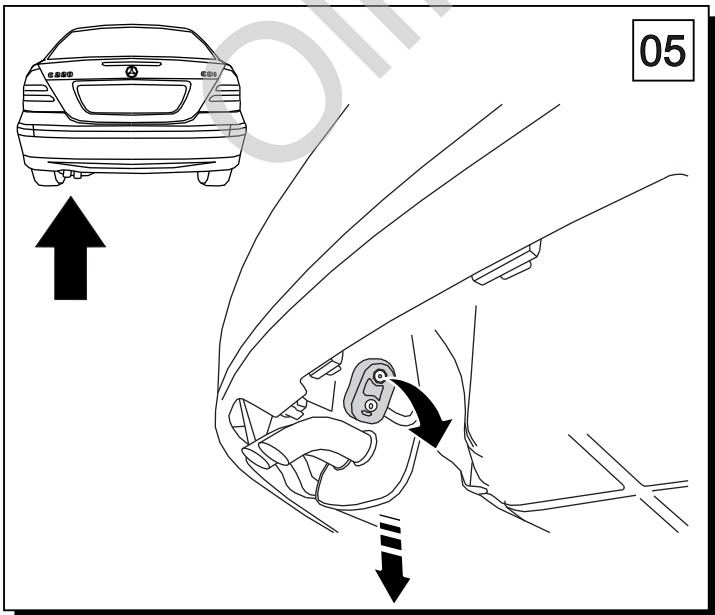
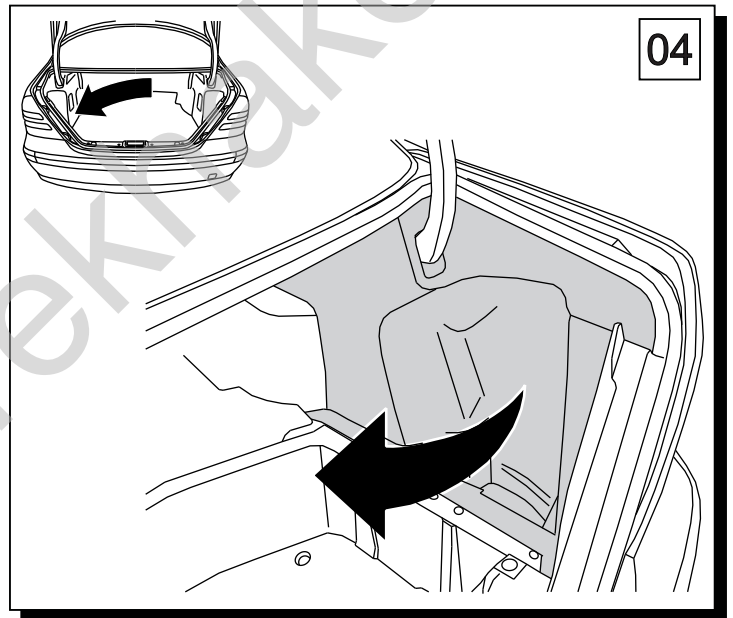
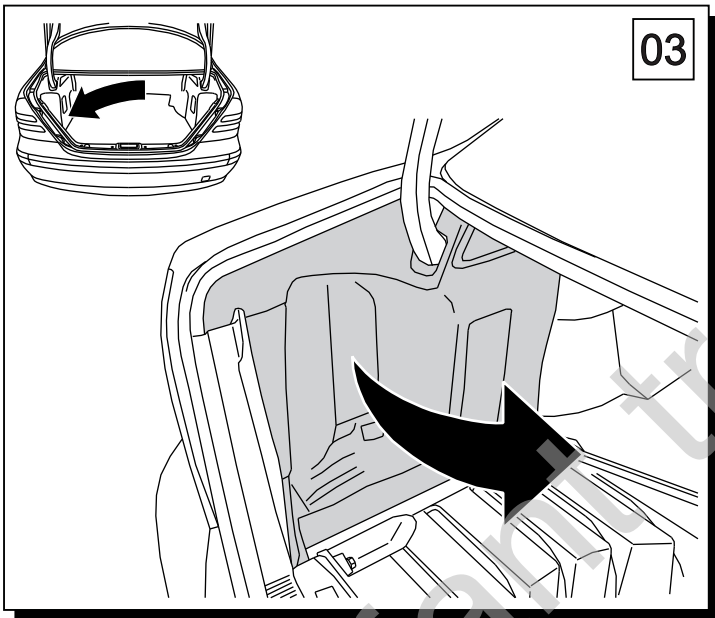
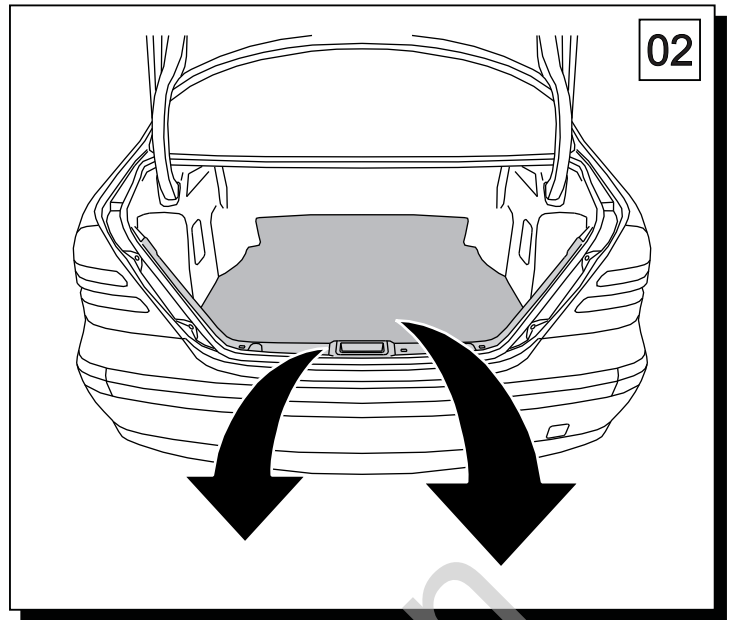
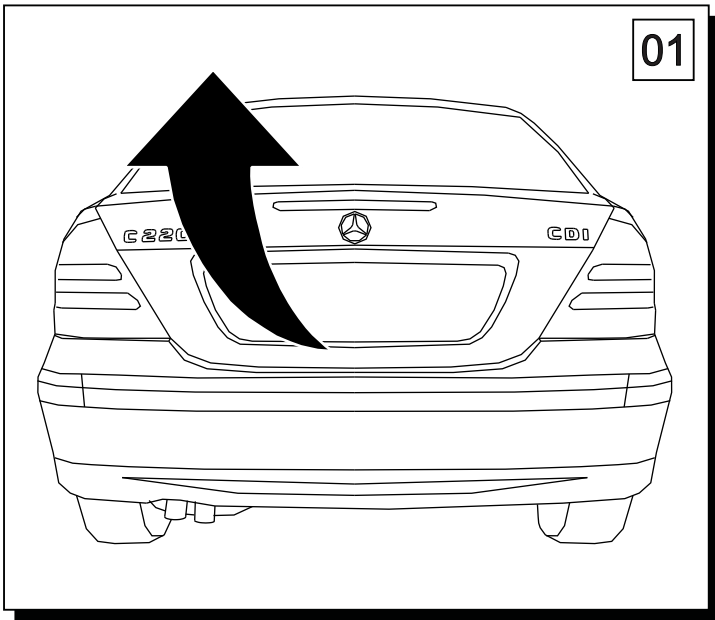
0 km →



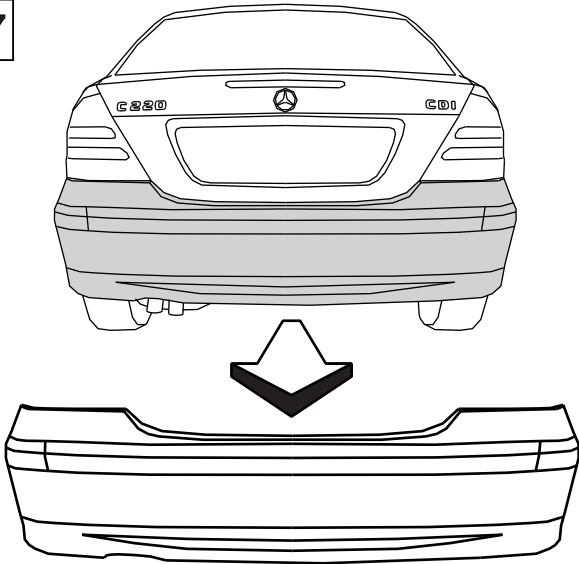
1000 km



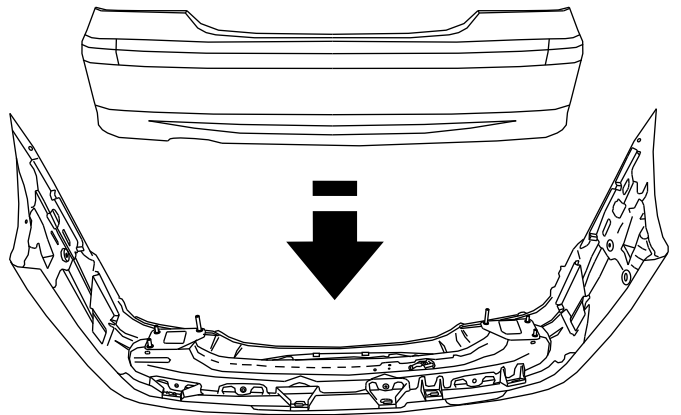
	<b>x 1</b>		<b>8</b> M12x70	<b>x 2</b>
			<b>9</b> M12x40	<b>x 2</b>
			<b>10</b> M10x60	<b>x 2</b>
			<b>11</b> M10x35	<b>x 8</b>
			<b>12</b> M8x45	<b>x 1</b>
	<b>x 1</b>		<b>13</b> $\varnothing$ 13	<b>x 4</b>
			<b>14</b> $\varnothing$ 30x $\varnothing$ 10.5x2.5 10 (DIN 9021)	<b>x 4</b>
			<b>15</b> $\varnothing$ 10.5	<b>x 6</b>
	<b>x 1</b> Art.nr-KL1D29A		<b>16</b> $\varnothing$ 8.4	<b>x 2</b>
			<b>17</b> $\varnothing$ 12.2	<b>x 4</b>
	<b>x 1</b> Art.nr-BL1D29A		<b>18</b> $\varnothing$ 10.2	<b>x 10</b>
			<b>19</b> M12	<b>x 2</b>
	<b>x 1</b>		<b>20</b> M8	<b>x 2</b>
			<b>21</b> M6	<b>x 4</b>
	<b>x 1</b>			
	<b>x 1</b>			



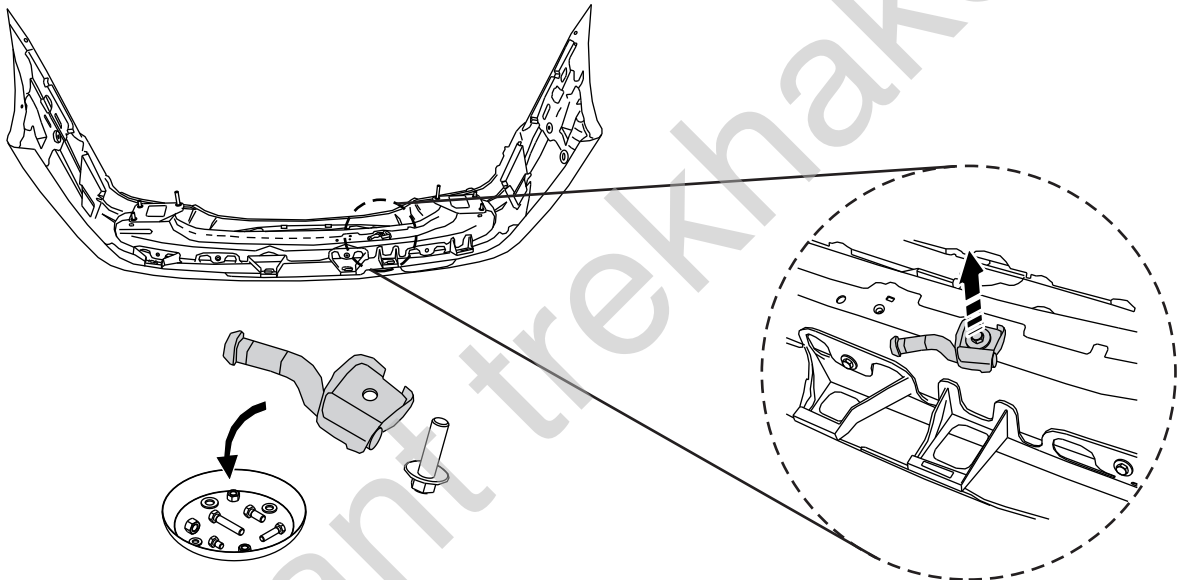
07



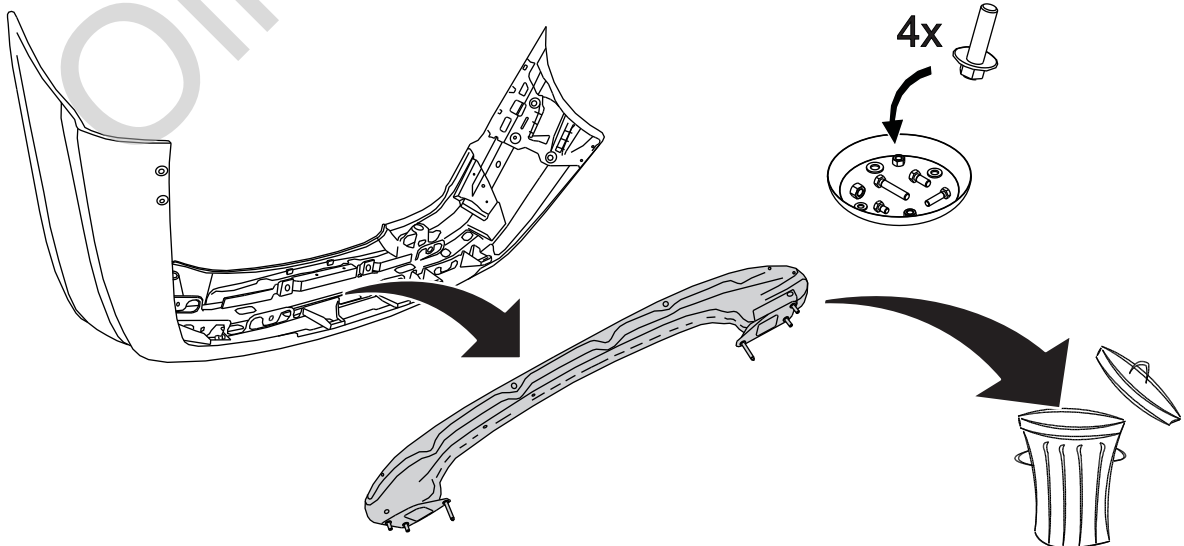
08

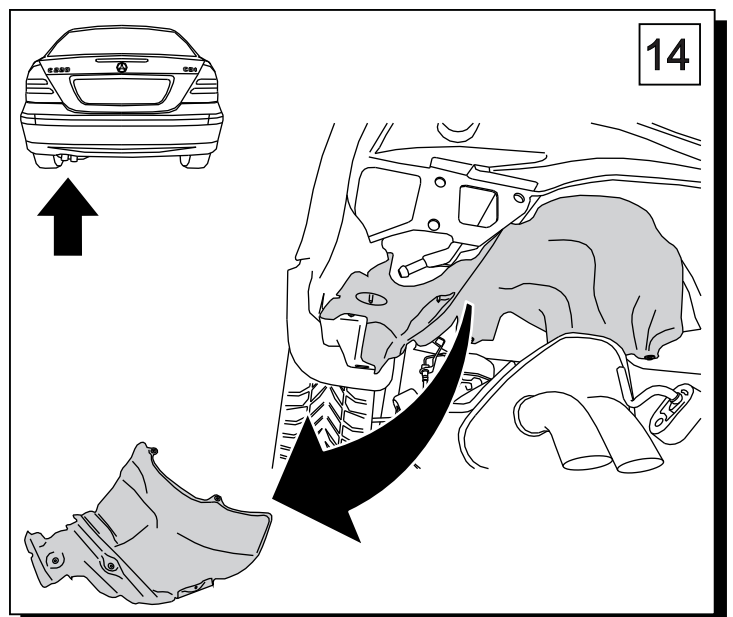
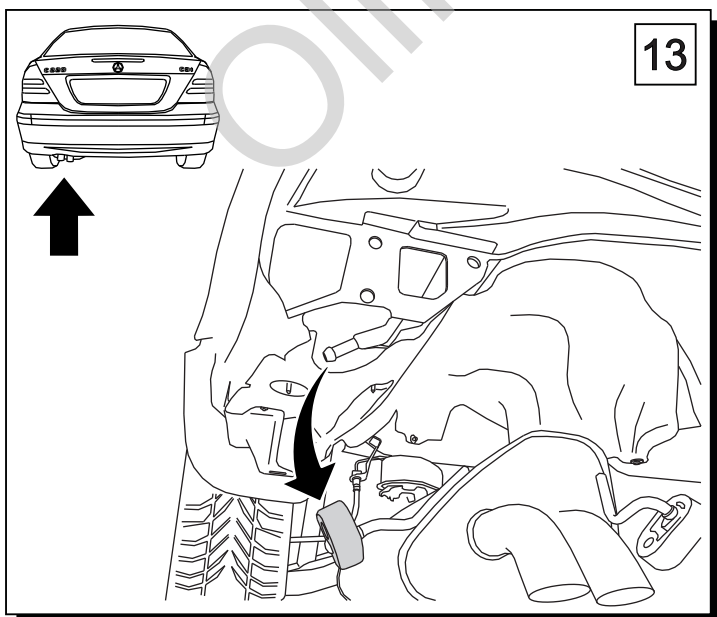
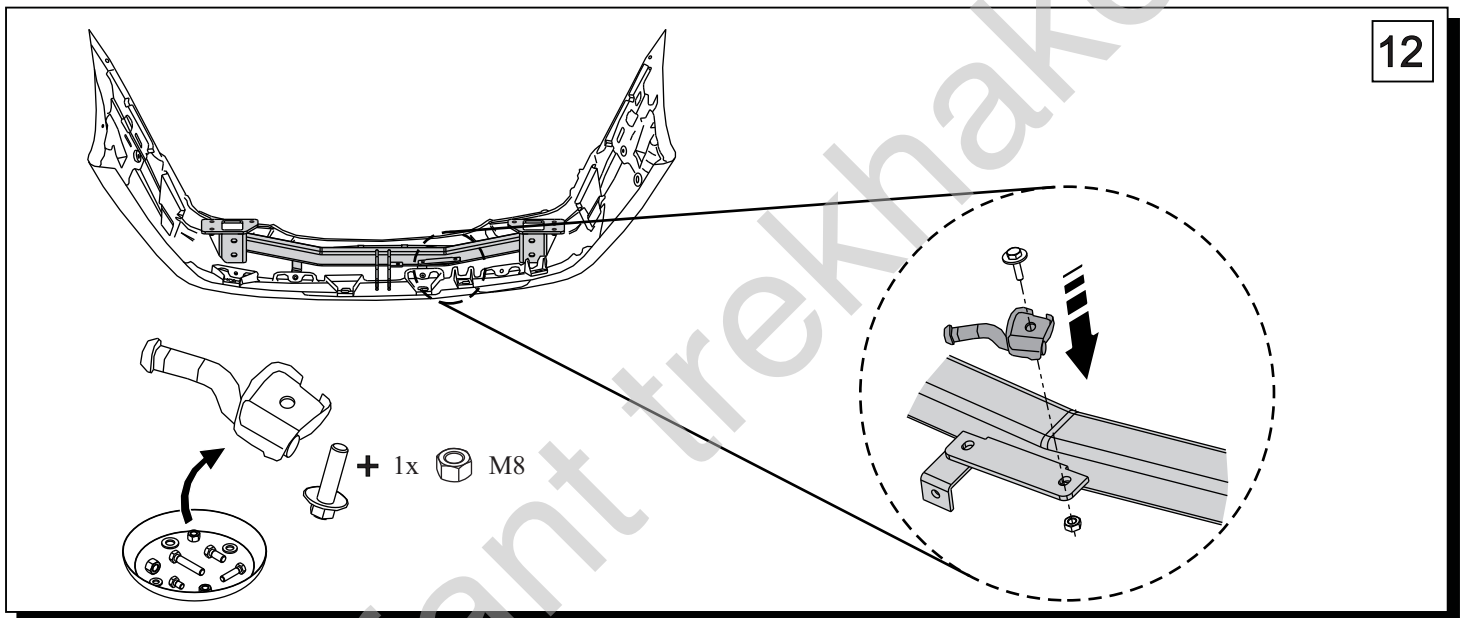
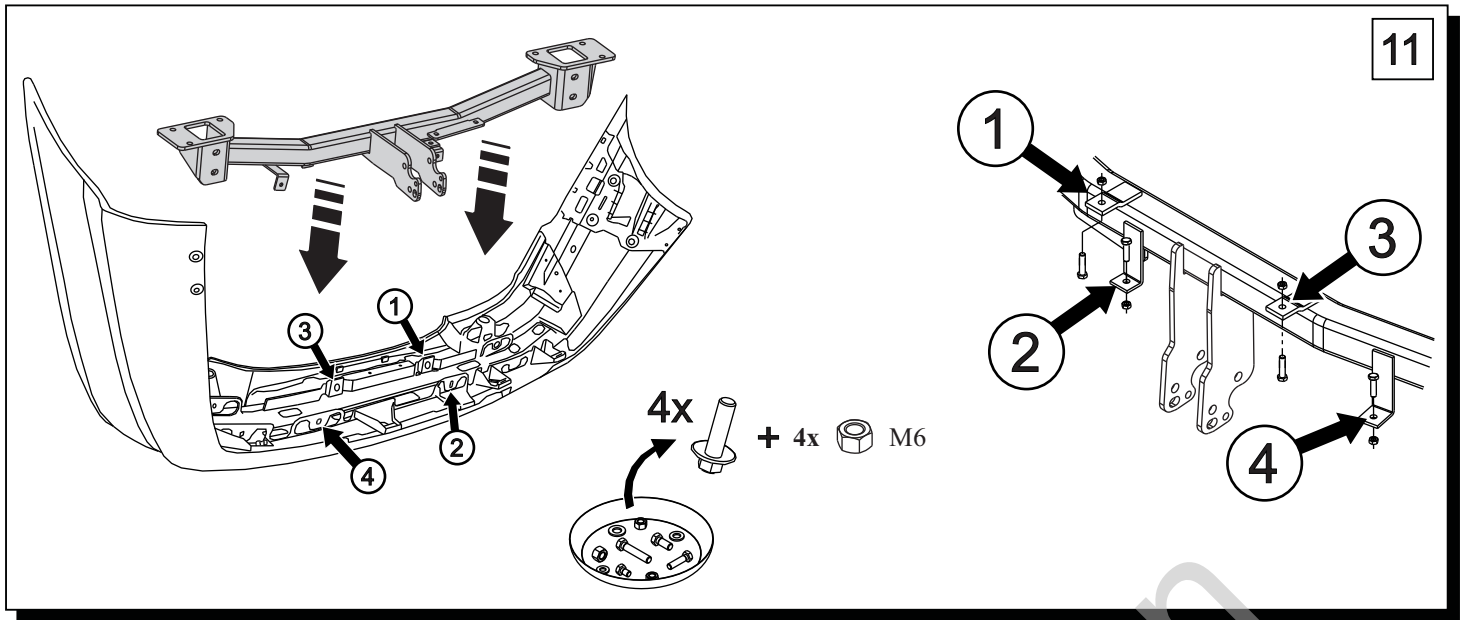


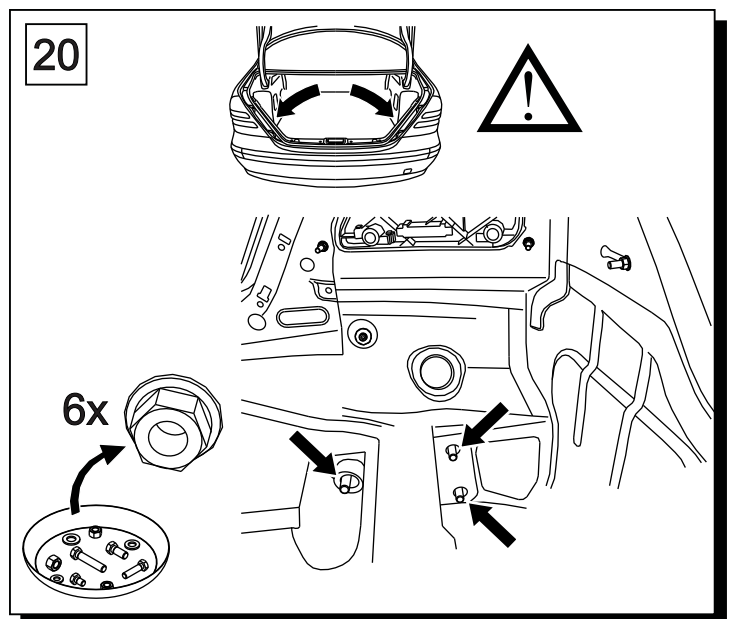
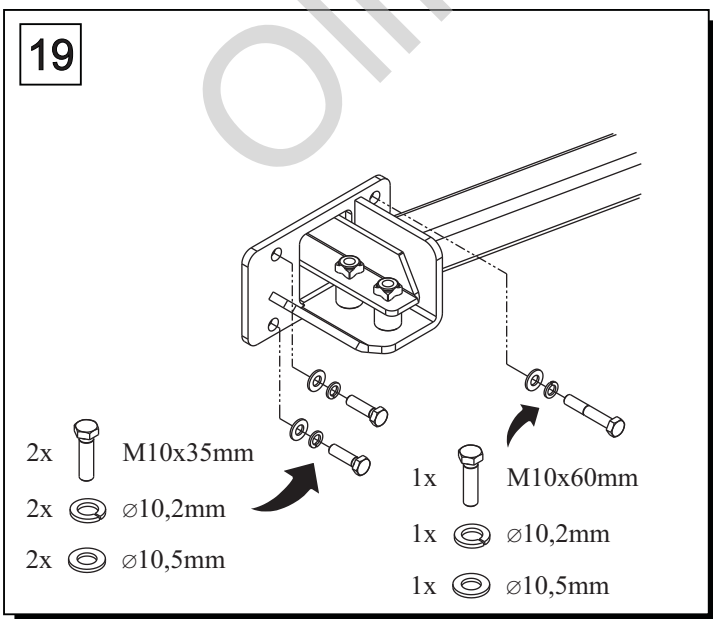
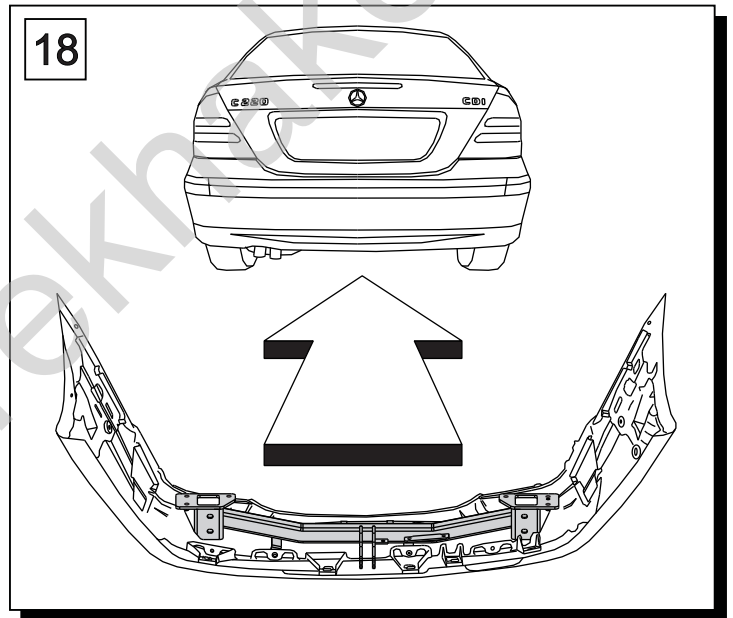
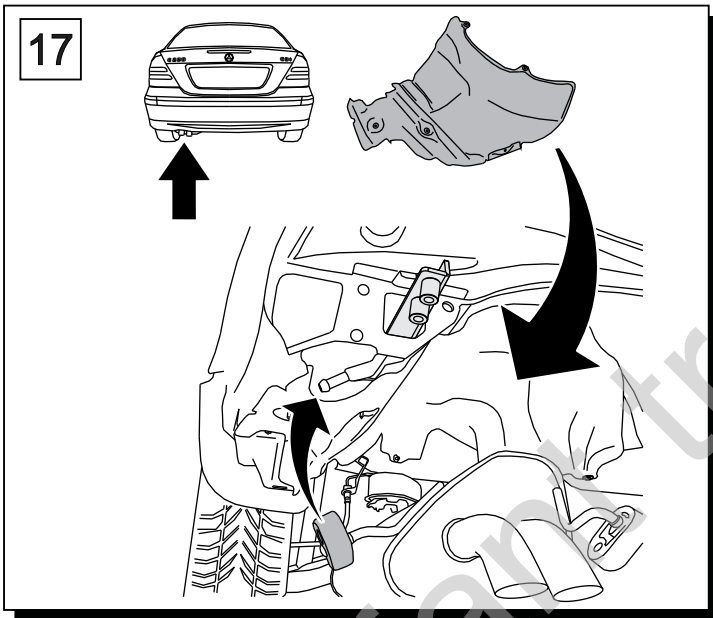
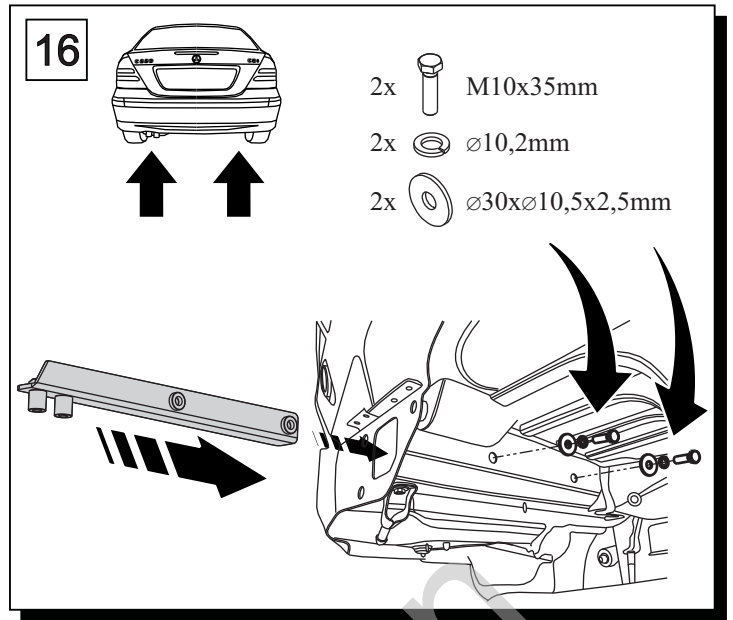
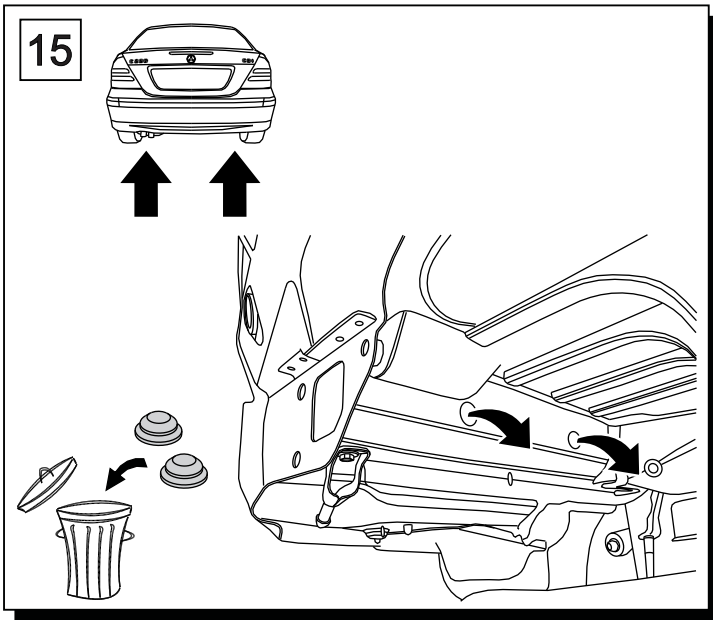
09

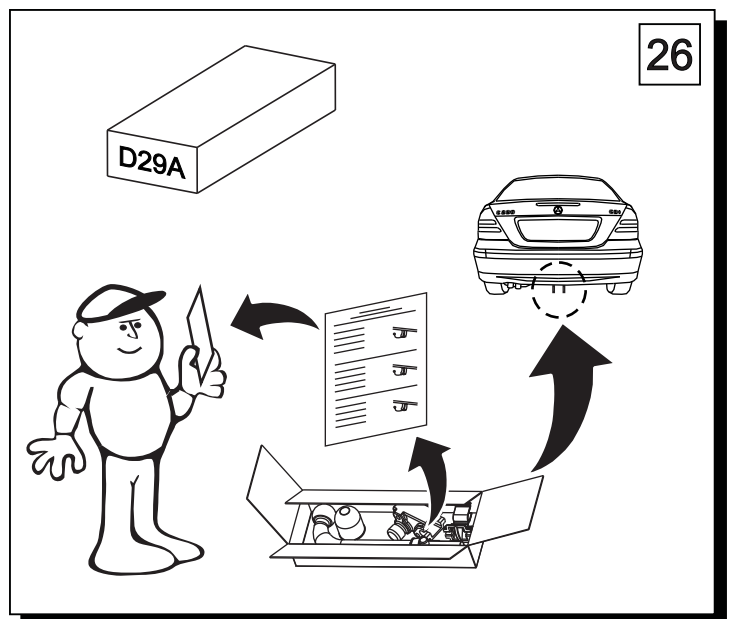
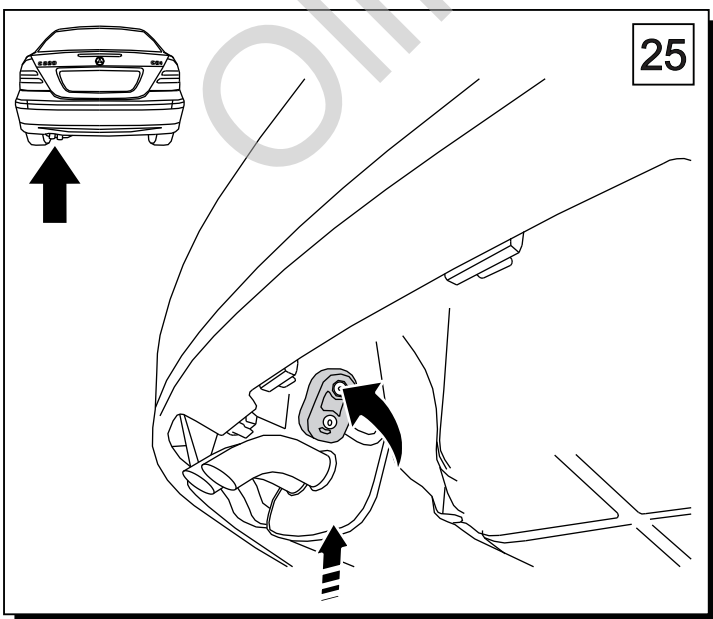
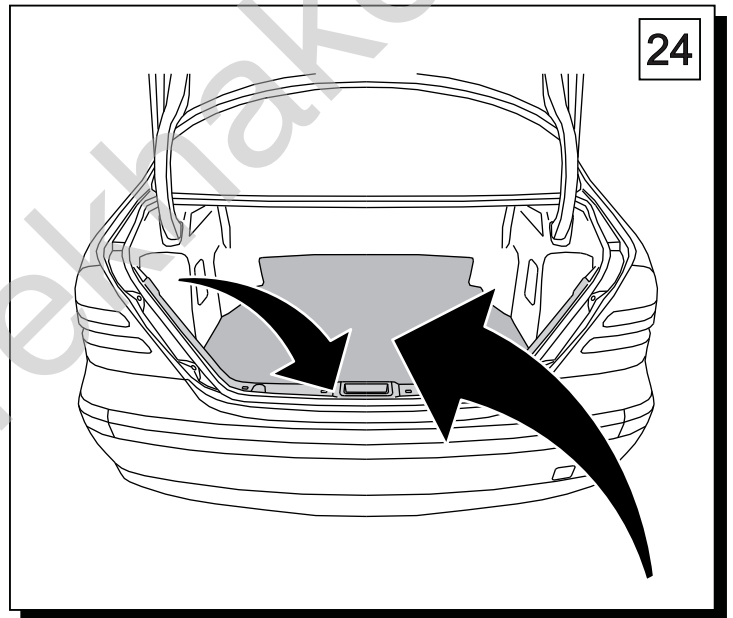
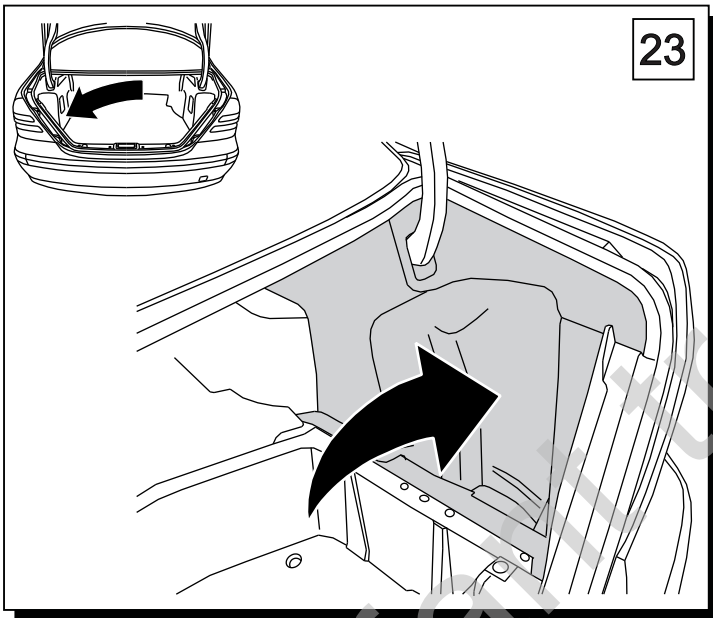
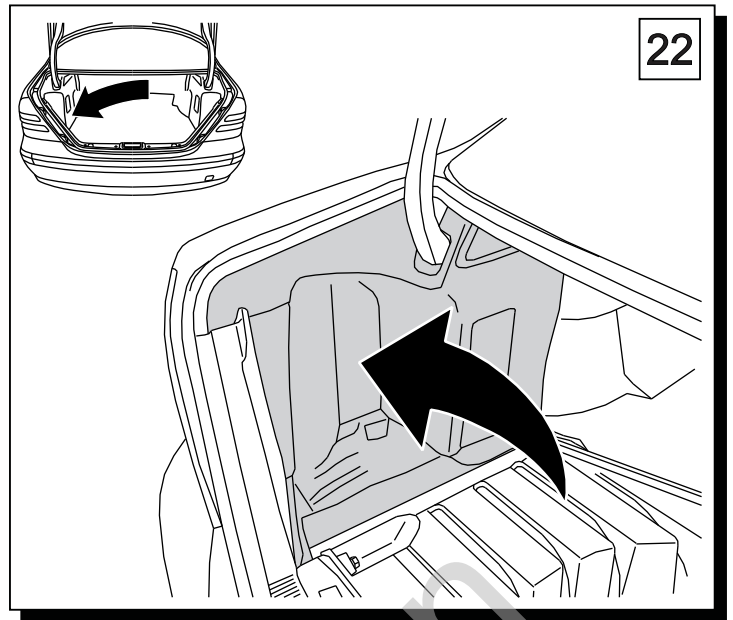
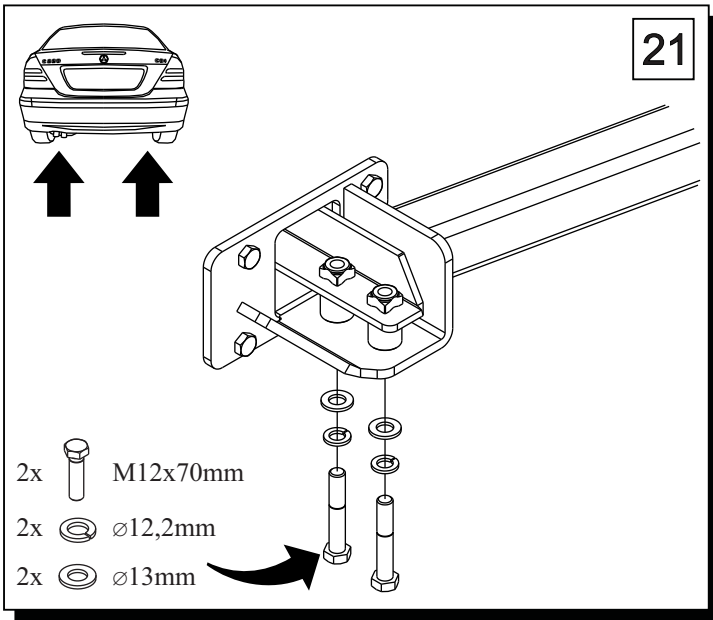


10









27



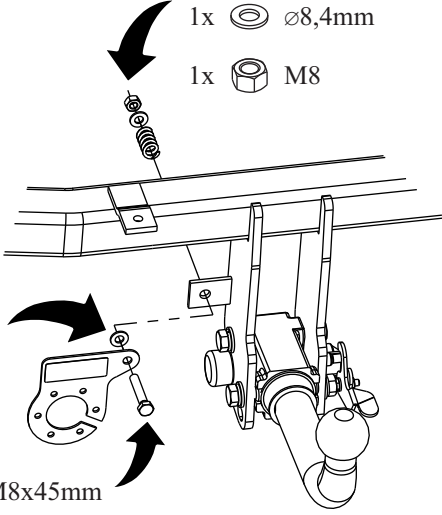
1x 

1x   $\varnothing 8,4\text{mm}$

1x  M8

1x   $\varnothing 8,4\text{mm}$

1x  M8x45mm



Olifant trekhaken