

AUTO-HAK Sp. z o.o.

ul. Słoneczna 16K 76-200 SŁUPSK
POLAND

tel/fax +48 59 8 414 414; +48 59 8 414 413

e-mail: office@autohak.com.pl

www.autohak.com.pl



AUTO-HAK



MERCEDES KLASA A 5D (W168)

Cat. no:

D28A



07.1997 → 08.2004

e20

e20*94/20*1032*00

D

6,08 kN



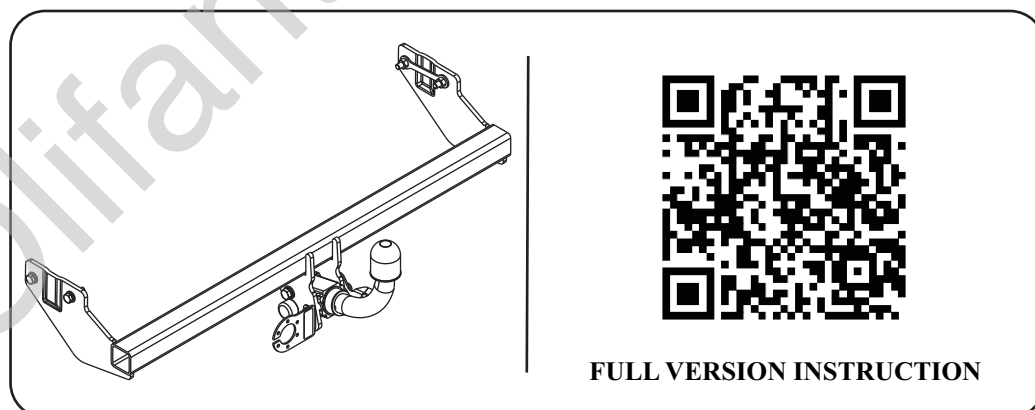
2h



R=1000 kg



S=50 kg



FULL VERSION INSTRUCTION



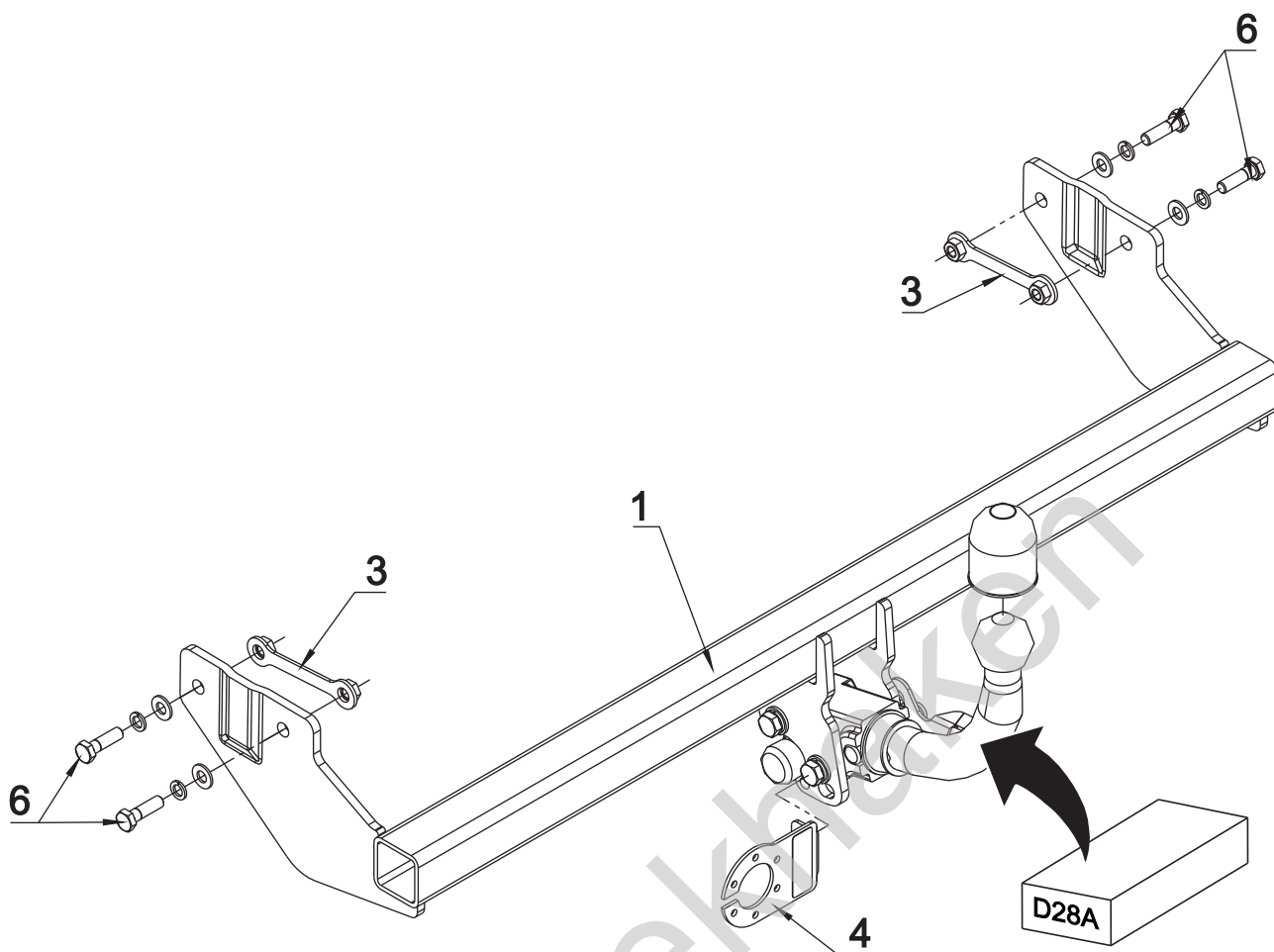
śruba	Nm	M6	M8	M10	M12	M14	M16
klasa 8.8		9,9	24	48	83	132	200
klasa 10.9		14	34	67	117	185	285

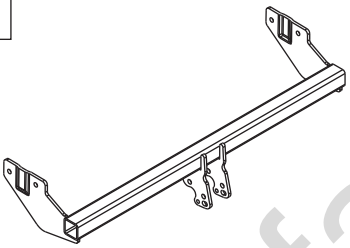



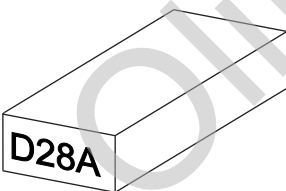
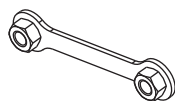
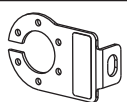



0 km



1000 km



1 	x1		6 M10x35	4
			7 \varnothing 10.5	4
			8 \varnothing 10.2	4
2 	x1 Art.nr-KL1D28A			
3 	x2			
4 	x1 Art.nr-BL1D28A			
5 	x1			

