

AUTO-HAK Sp. z o.o.

ul. Słoneczna 16K 76-200 SŁUPSK
POLAND

tel/fax +48 59 8 414 414; +48 59 8 414 413

e-mail: office@autohak.com.pl

www.autohak.com.pl



AUTO-HAK

MERCEDES Klasa E

W210, 4 drz.

~~AMG~~

Nr kat.

D22A



05.1995 → 02.2002



E20-55R-01 4305



2h

D

10,46 kN



R=2200 kg



S=75 kg



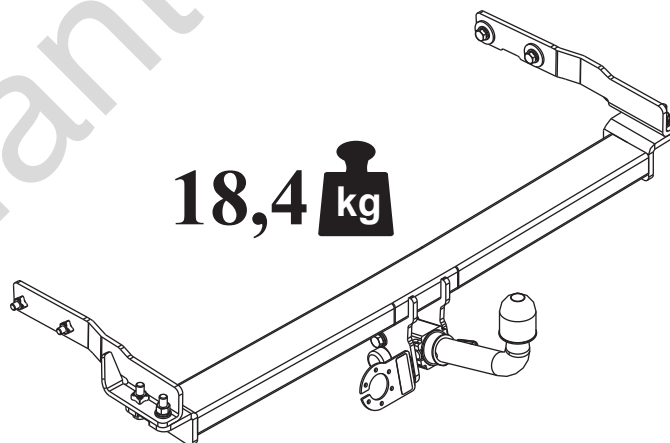
05.1995-1999



1999 →



18,4 kg



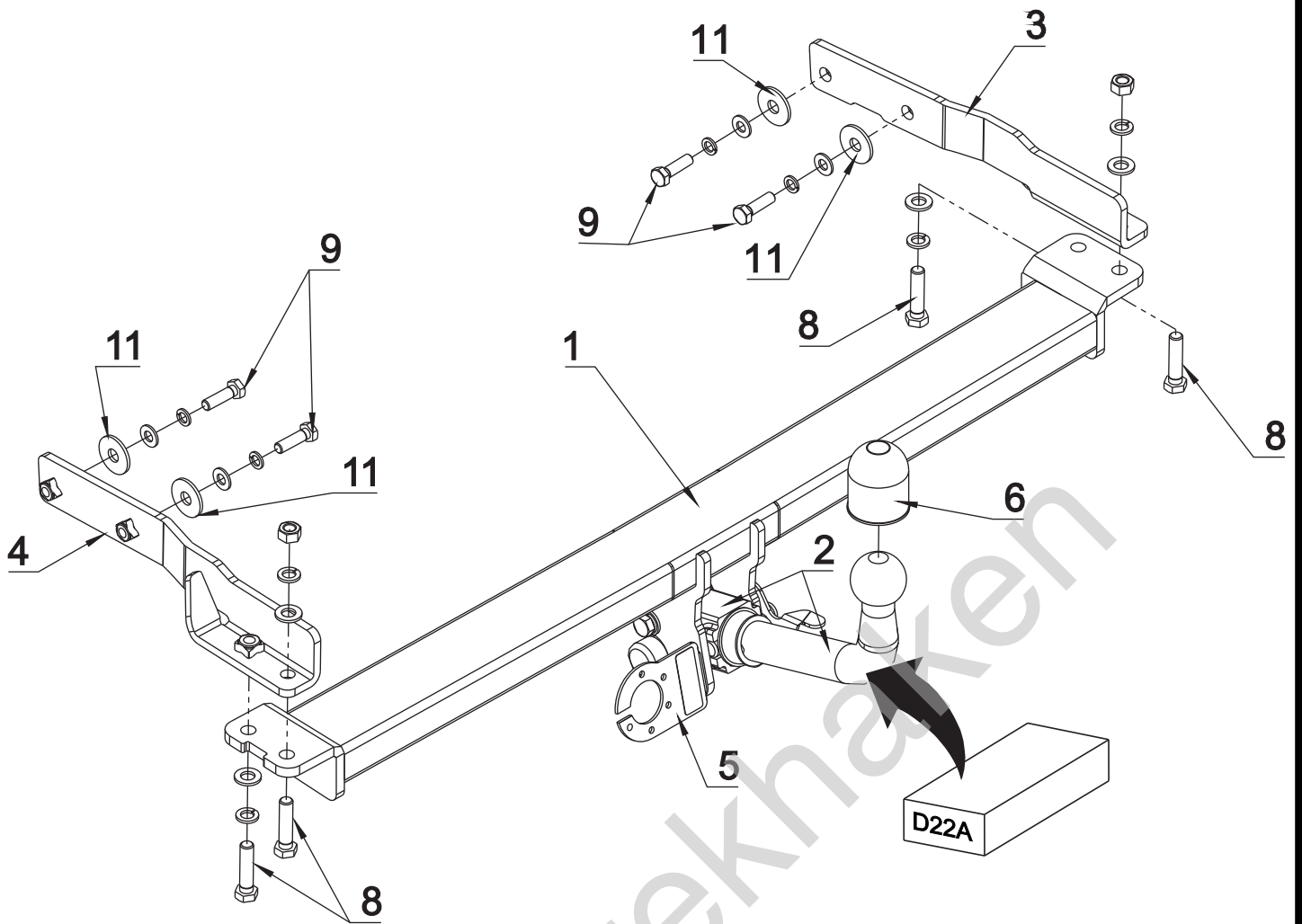
śruba	Nm	M6	M8	M10	M12	M14	M16
klasa 8.8		9,9	24	48	83	132	200
klasa 10.9		14	34	67	117	185	285

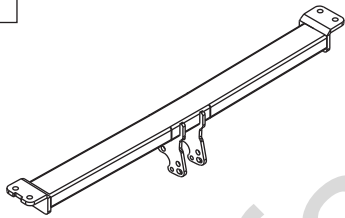

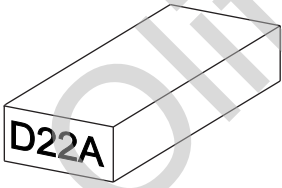


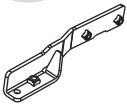
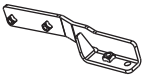
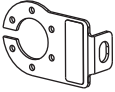



0 km →

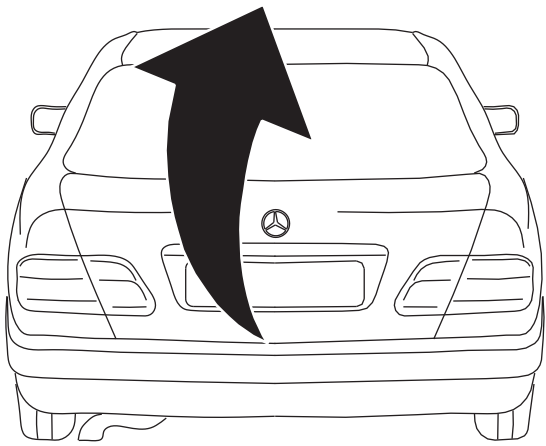


1000 km

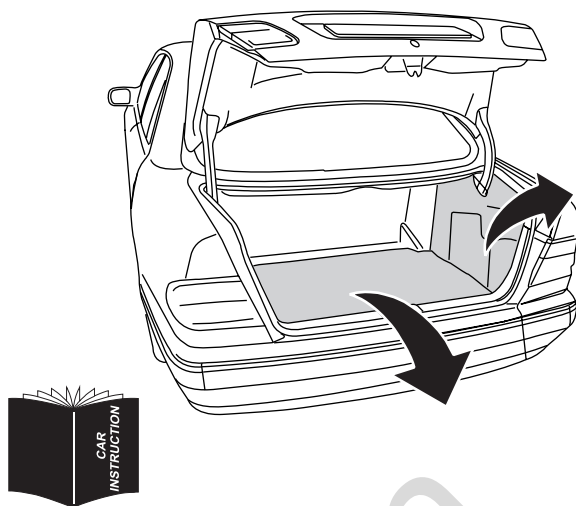


1		x1		8	M12x50	x4
				9	M10x35	x4
				10	∅ 13	x4
				11	∅ 37x∅13x3 13 (DIN 9021)	x4
2		x1		12	∅ 10.5	x4
				13	∅ 12.2	x4
				14	∅ 10.2	x4
				15	M12	x2
3		x1				
4		x1				
5		x1				
						Art.nr-BL1D22A
6		x1				

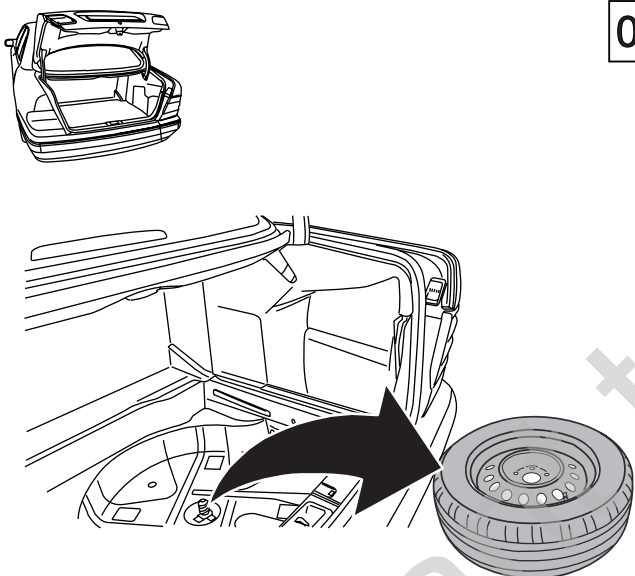
01



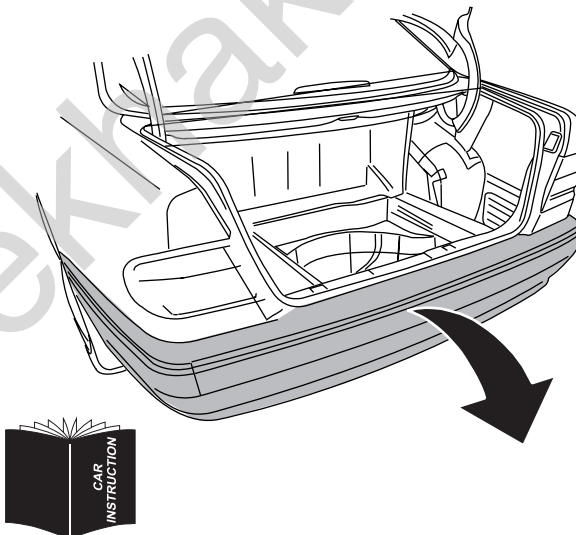
02



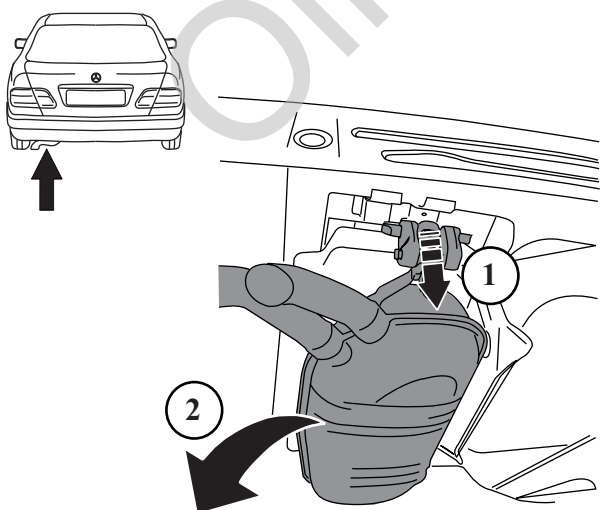
03



04



05



06

