

AUTO-HAK Sp. z o.o.

ul. Słoneczna 16K 76-200 SŁUPSK
POLAND

tel/fax +48 59 8 414 414; +48 59 8 414 413

e-mail: office@autohak.com.pl


www.autohak.com.pl




AUTO-HAK


CHRYSLER PT CRUISER (CABRIO)


Nr kat.
CH52A

 06.2000 →

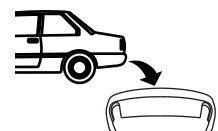
 E20-55R-01 4434

D 7,43 kN

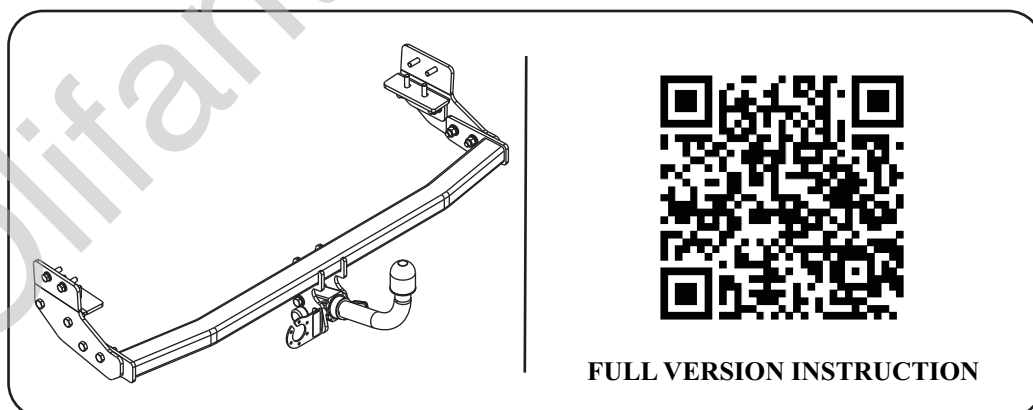
 **R=1200 kg**

 **S=75 kg**

 **1,5h**





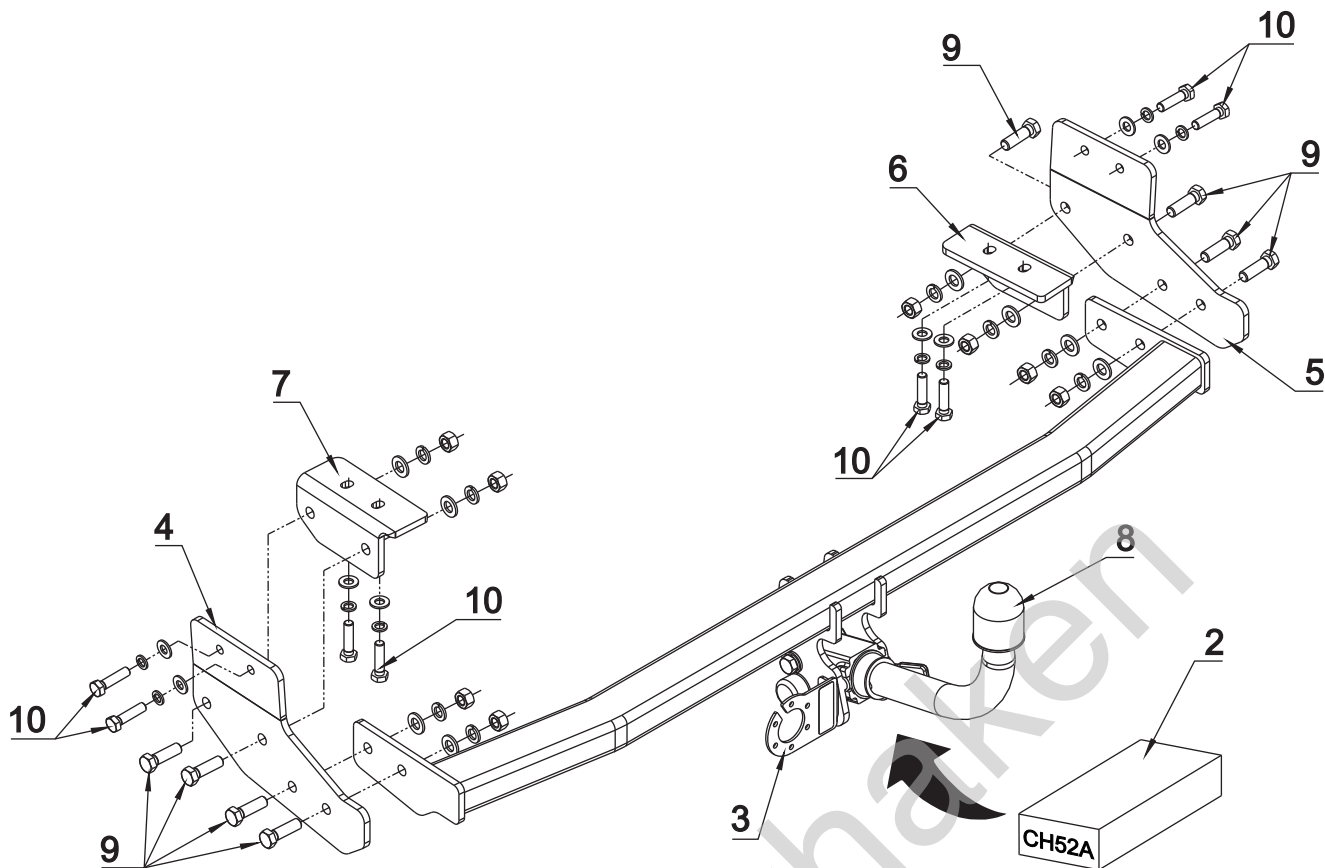


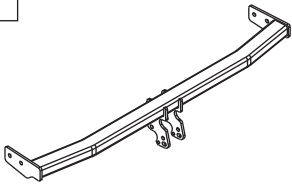







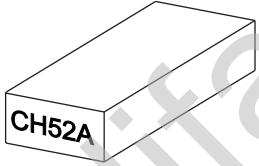
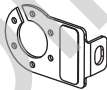

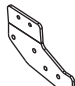
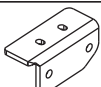
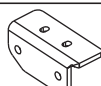

FULL VERSION INSTRUCTION

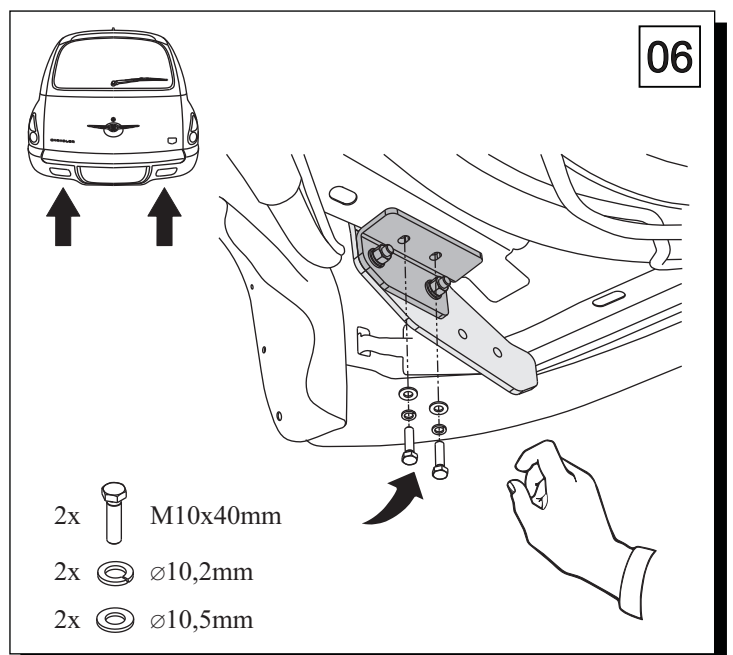
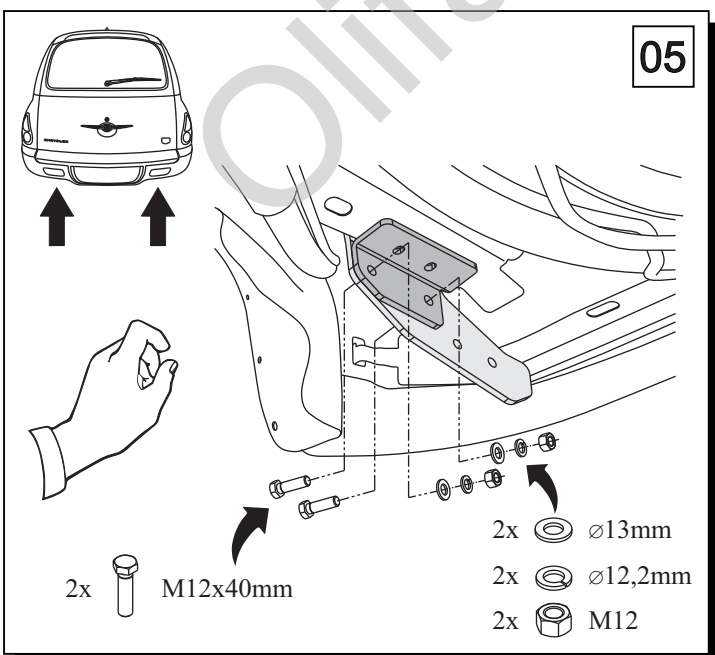
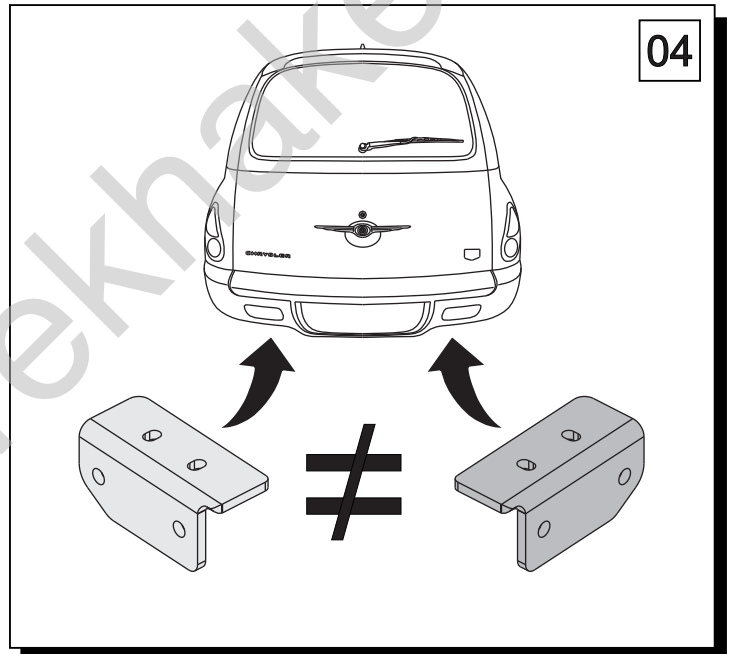
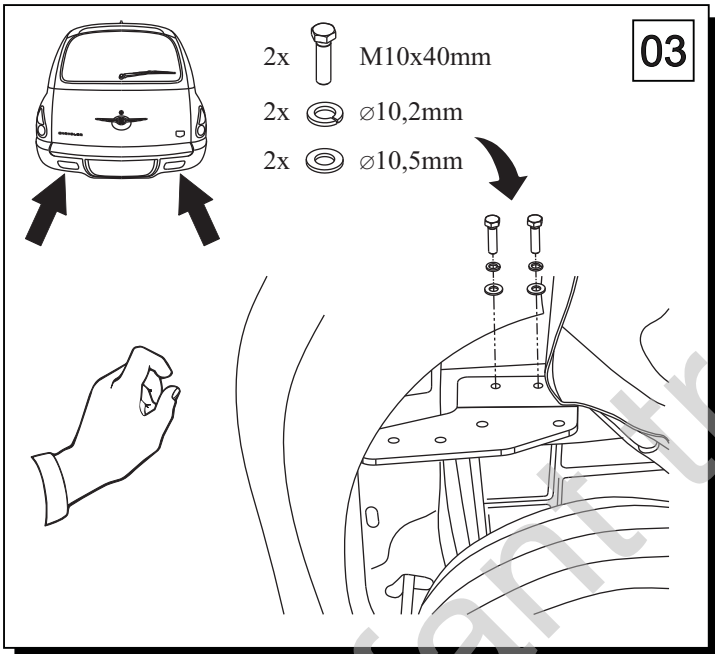
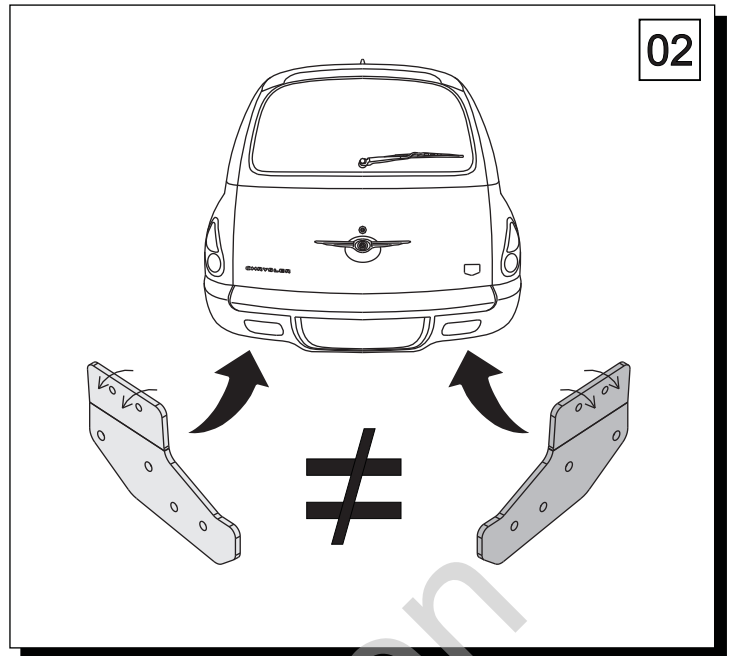
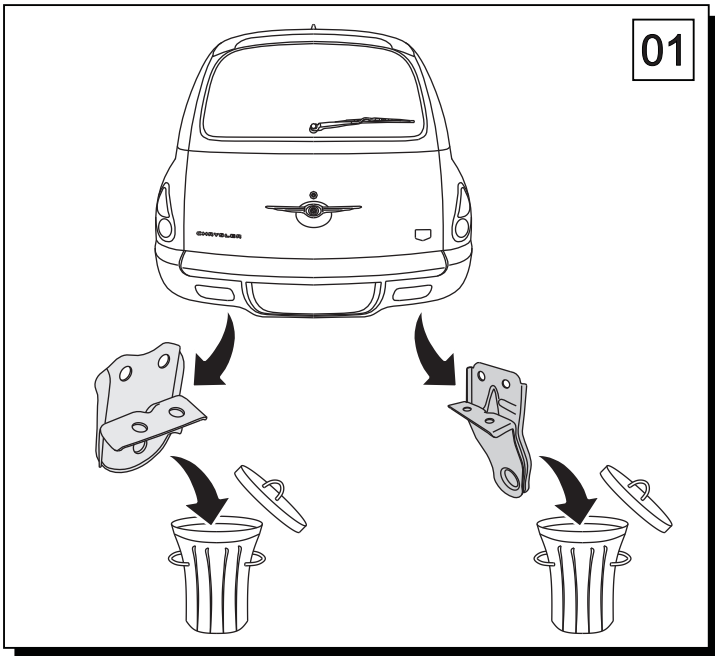


śruba	Nm	M6	M8	M10	M12	M14	M16
klasa 8.8		9,9	24	48	83	132	200
klasa 10.9		14	34	67	117	185	285

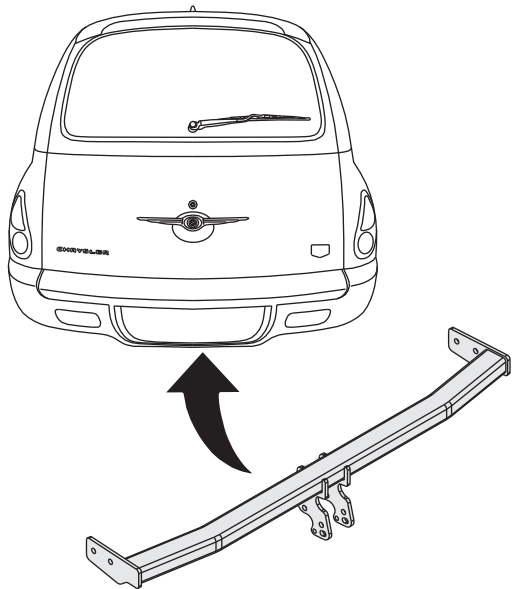
 0 km →  1000 km



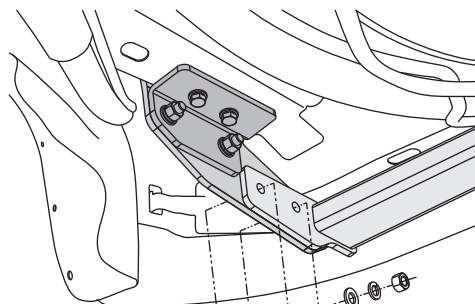
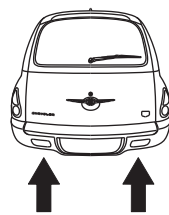
1		x1		9 M12x40	x8
				10 M10x40	x8
				11 \varnothing 13	x8
				12 \varnothing 10.5	x8
				13 \varnothing 12.2	x8
				14 \varnothing 10.2	x8
				15 M12	x8
2		x1			
			Art.nr-KL1CH52A		
3		x1			
			Art.nr-BL1CH52A		
4		x1			
5		x1			
6		x1			
7		x1			
8		x1			



07



08



2x M12x40mm

2x \varnothing 13mm

2x \varnothing 12,2mm

2x M12

09

