

# AUTO-HAK Sp. z o.o.

ul. Słoneczna 16K 76-200 SŁUPSK  
POLAND

tel/fax +48 59 8 414 414; +48 59 8 414 413

e-mail: [office@autohak.com.pl](mailto:office@autohak.com.pl)

[www.autohak.com.pl](http://www.autohak.com.pl)



# AUTO-HAK

## CHRYSLER PT CRUISER (CABRIO)

Nr kat.

**CH52**



06.2000 →



E20-55R-01 4435



7,43 kN



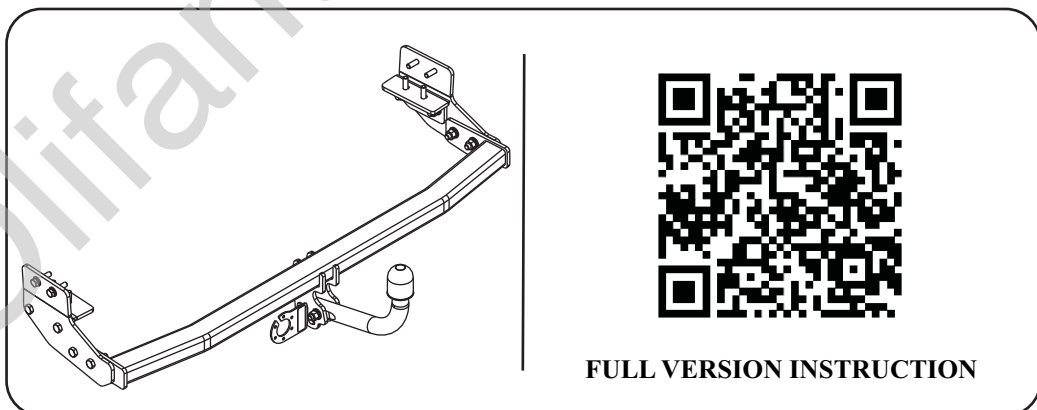
R=1200 kg



S=75 kg



1,5h



FULL VERSION INSTRUCTION



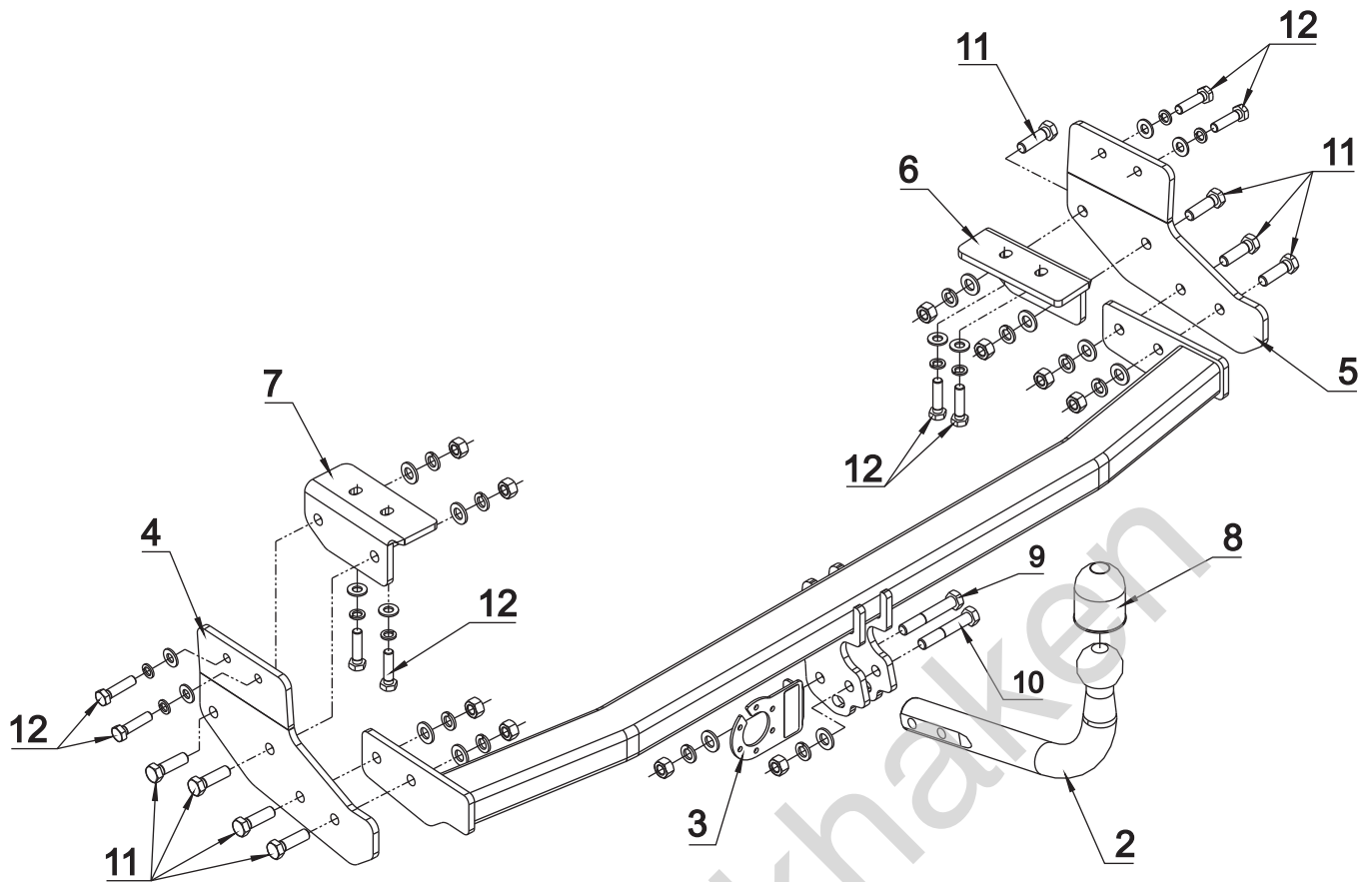
śruba	Nm	M6	M8	M10	M12	M14	M16
klasa 8.8		9,9	24	48	83	132	200
klasa 10.9		14	34	67	117	185	285

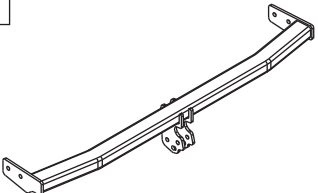








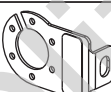



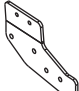
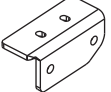
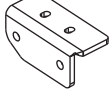



0 km →



1000 km



1		x 1		9	M12x75	x 1
				10	M12x70	x 1
				11	M12x40	x 8
				12	M10x40	x 8
				13	∅ 13	x 10
2		x 1		14	∅ 10.5	x 8
	Art.nr-KL1CH52			15	∅ 12.2	x 10
3		x 1		16	∅ 10.2	x 8
	Art.nr-BL1CH52			17	M12	x 10
4		x 1				
5		x 1				
6		x 1				
7		x 1				
8		x 1				

