

AUTO-HAK Sp. z o.o.

ul. Słoneczna 16K 76-200 SŁUPSK
POLAND

tel/fax +48 59 8 414 414; +48 59 8 414 413

e-mail: office@autohak.com.pl

www.autohak.com.pl



AUTO-HAK



DODGE CALIBER
SUV, ~~SRT~~

Cat. no:

CH51A



07.2006 →

e20

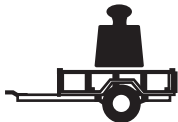
e20*94/20*1316*00

D

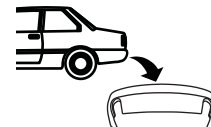
7,4 kN



2h



R=1200 kg



-

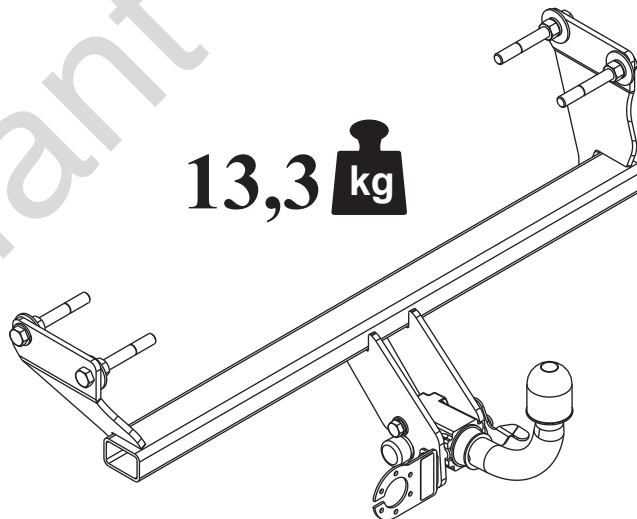


S=85 kg



-

13,3 kg



M6 - 11 Nm
M10 - 50 Nm
M14 - 138 Nm

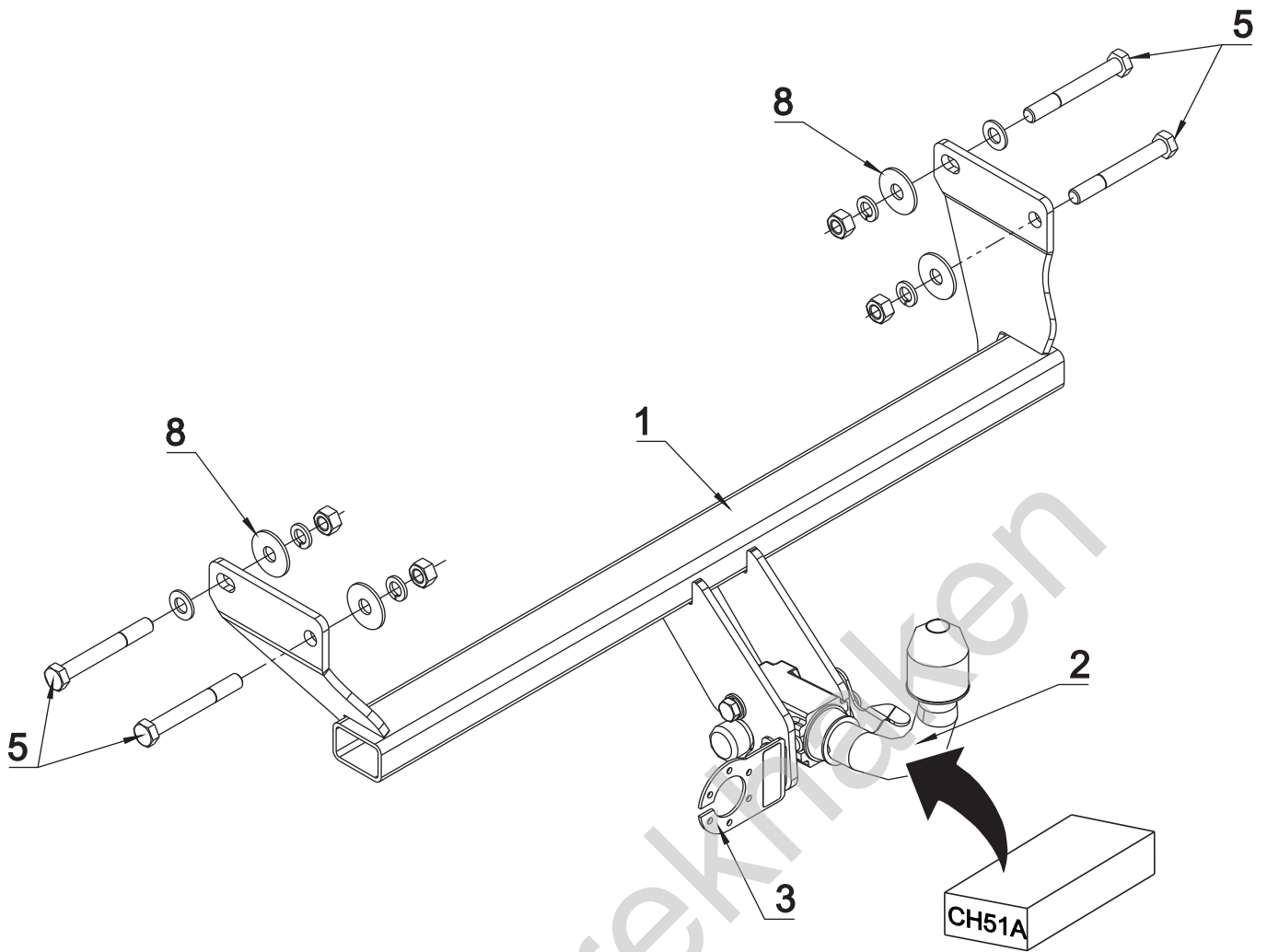
M8 - 25 Nm
M12 - 87 Nm
M16 - 210 Nm

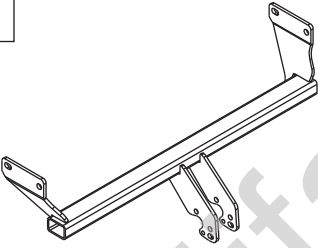

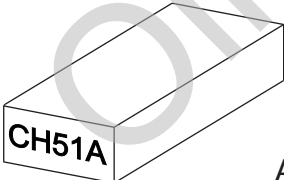

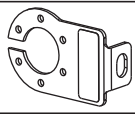

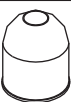


0 km →

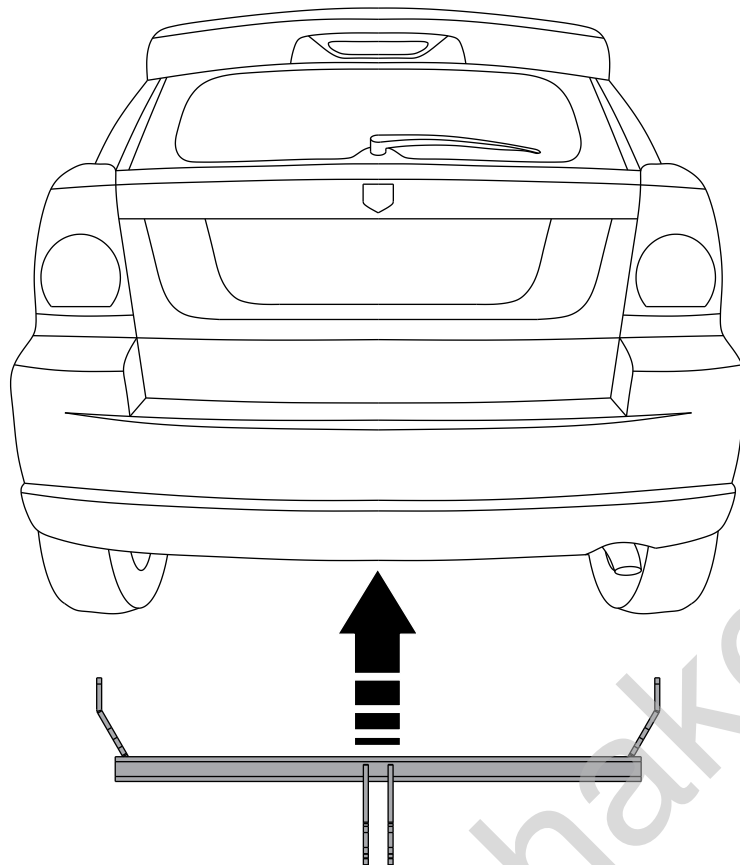


1000 km

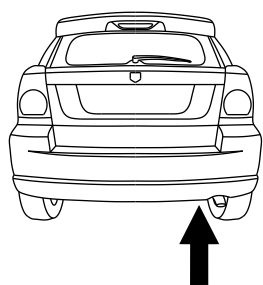



1		x1		5	M14x110	x4
				6	M14	x4
2		x1		7	∅ 15	x2
				8	∅ 44x∅15x3 15 – DIN 9021	x4
3		x1		9	∅ 14.2	x4
4		x1				

01




02



1x  M14x110mm

1x  M14x110mm
1x  $\varnothing 15\text{mm}$

2x  $\varnothing 44 \times 15 \times 3\text{mm}$

2x  $\varnothing 14,2\text{mm}$

2x  M14

