

# AUTO-HAK Sp. z o.o.

ul. Słoneczna 16K 76-200 SŁUPSK  
POLAND


tel/fax +48 59 8 414 414; +48 59 8 414 413


e-mail: [office@autohak.com.pl](mailto:office@autohak.com.pl)

[www.autohak.com.pl](http://www.autohak.com.pl)




# AUTO-HAK


 **DODGE CALIBER**  
SUV, ~~SRT~~

 **07.2006** →

**e20** e20\*94/20\*1315\*00


**D** 7,4 kN

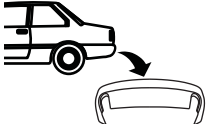
 **R=1200 kg**


 **S=85 kg**


**12,3 kg**

**Cat. no:**  
**CH51**



 **2h**

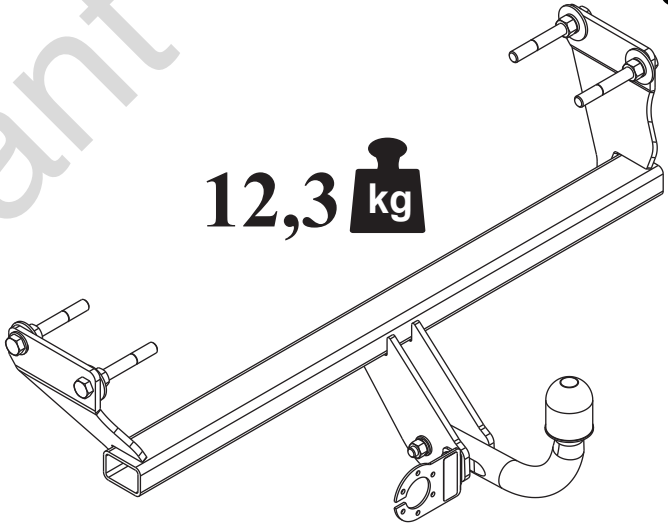
 **-**

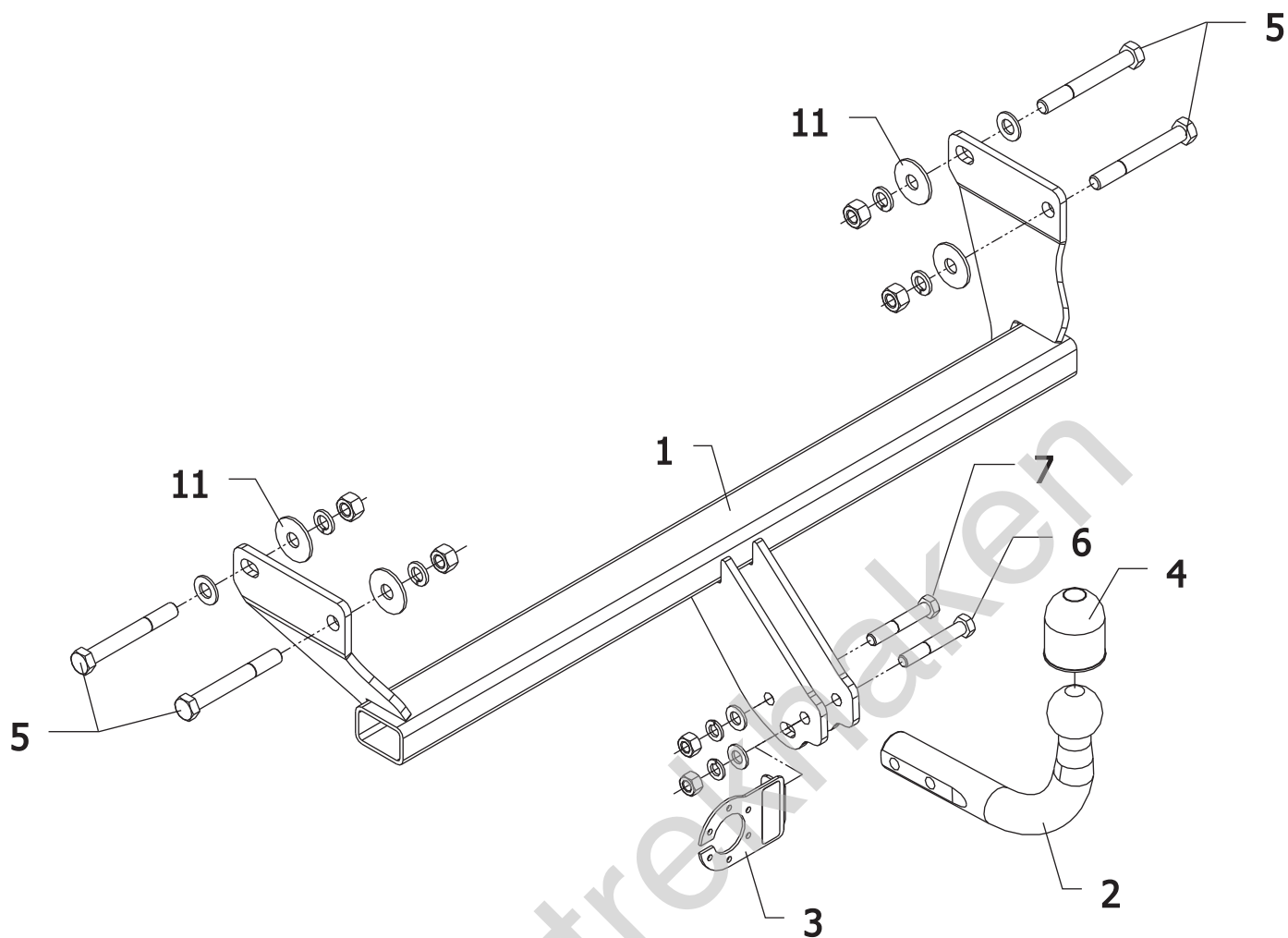
 **-**

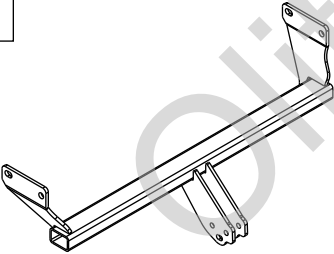

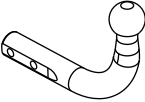

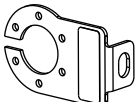

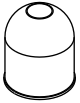



<b>M6</b>	-	11 Nm	<b>M8</b>	-	25 Nm
<b>M10</b>	-	50 Nm	<b>M12</b>	-	87 Nm
<b>M14</b>	-	138 Nm	<b>M16</b>	-	210 Nm

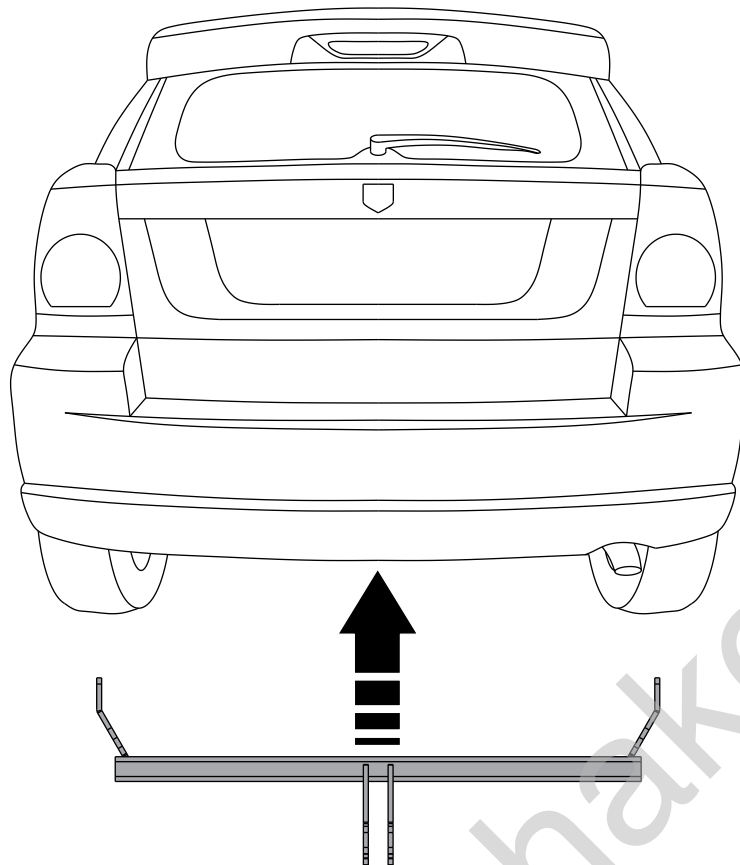
 **0 km** →  **1000 km**



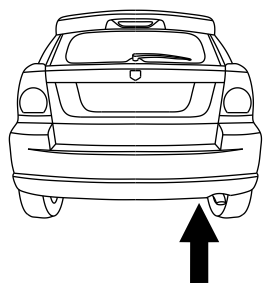


<b>1</b> 	<b>x 1</b>		<b>5</b> M14x110	<b>x 4</b>
			<b>6</b> M12x75	<b>x 1</b>
			<b>7</b> M12x70	<b>x 1</b>
			<b>8</b> M14	<b>x 4</b>
<b>2</b> 	<b>x 1</b> Art.nr-KL1CH51		<b>10</b> $\varnothing$ 15	<b>x 2</b>
			<b>11</b> $\varnothing$ 44x $\varnothing$ 15x3	<b>x 4</b>
			15 – DIN 9021	
<b>3</b> 	<b>x 1</b> Art.nr-BL1CH51		<b>12</b> $\varnothing$ 13	<b>x 2</b>
			<b>13</b> $\varnothing$ 14.2	<b>x 4</b>
<b>4</b> 	<b>x 1</b>		<b>14</b> $\varnothing$ 12.2	<b>x 2</b>

01



02




1x  M14x110mm

1x  M14x110mm

1x  ø15mm

2x  ø44xø15x3mm

2x  ø14,2mm

2x  M14

