

AUTO-HAK Sp. z o.o.

ul. Słoneczna 16K 76-200 SŁUPSK
POLAND

tel/fax +48 59 8 414 414; +48 59 8 414 413

e-mail: office@autohak.com.pl

www.autohak.com.pl



AUTO-HAK



CHRYSLER PACIFICA

1 rura wydechowa
single exhaust pipe

Cat. no:

CH50A



01.2003 → 11.2007

e20

e20*94/20*1261*00



2h

D

11,0 kN



R=1800 kg



-

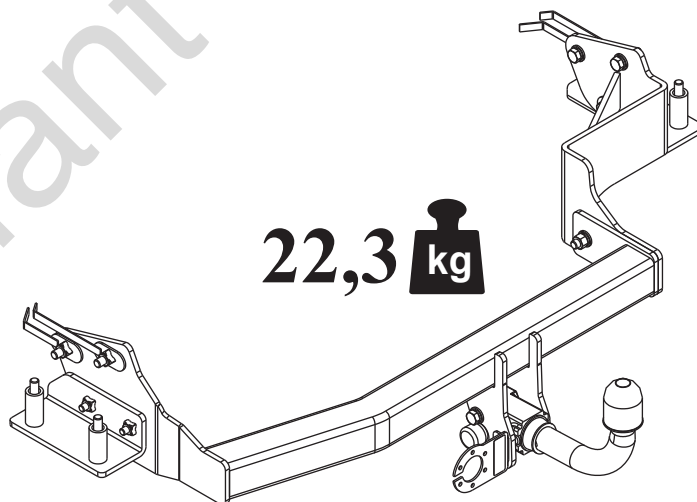


S=80 kg



-

22,3 kg



M6 - 11 Nm
M10 - 50 Nm
M14 - 138 Nm

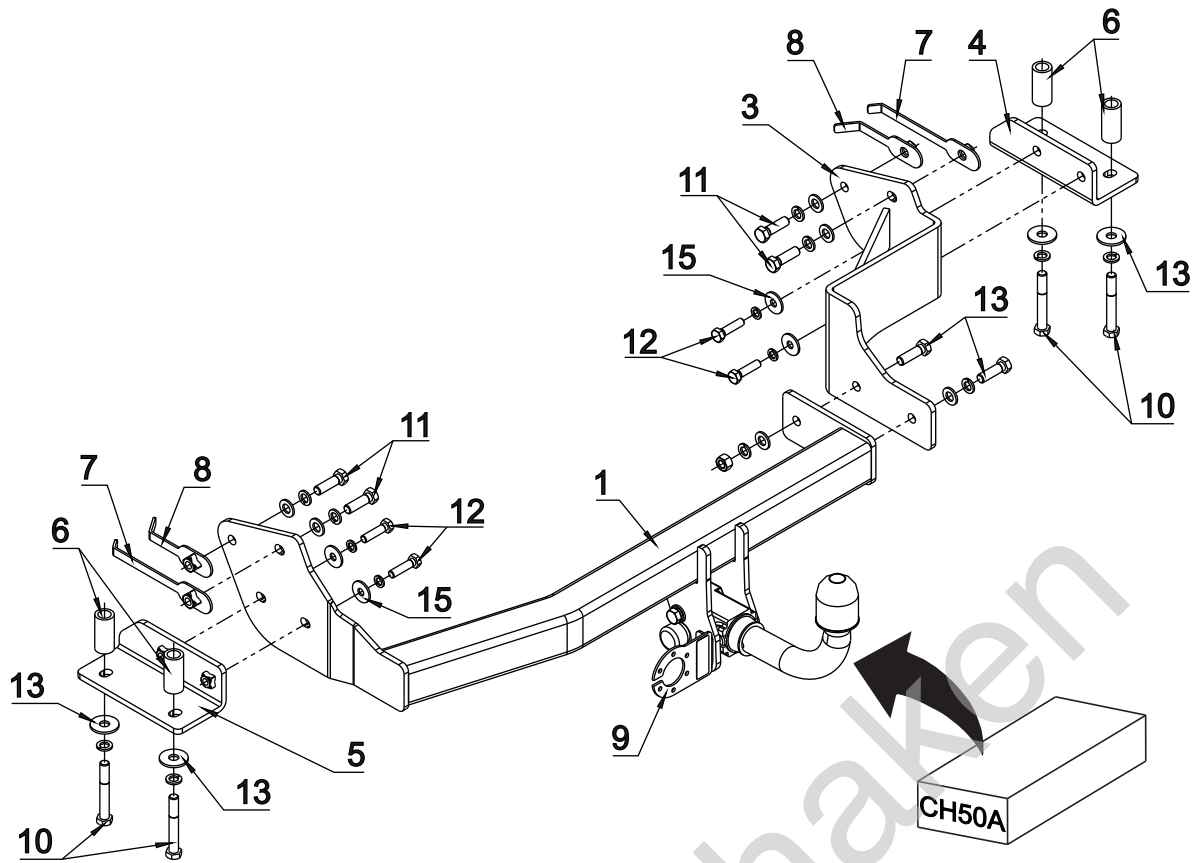
M8 - 25 Nm
M12 - 87 Nm
M16 - 210 Nm

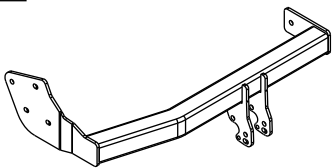

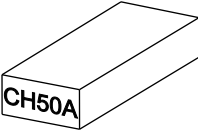

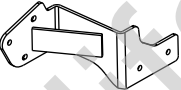



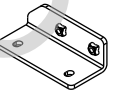
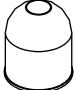
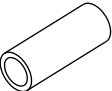
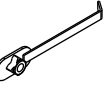

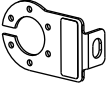


0 km →



1000 km



1		x 1		10	M12x85	x 4	
2	 Art.nr-KL1CH50A	x 1		11	M12x40	x 6	
				12	M10x40	x 4	
3		x 1		13	∅ 37x∅13x3 13 (DIN 9021)	x 4	
				14	∅ 13	x 6	
				15	∅ 30x∅10.5x2.5 10 (DIN 9021)	x 4	
4		x 1		16	∅ 12.2	x 10	
				17	∅ 10.2	x 4	
5		x 1	19		18	M12	x 1
6		x 4					
						∅25x4mm, L=53mm	
7		x 2					
8		x 2					
9		x 1					
						Art.nr-BL1CH50A	

