

AUTO-HAK Sp. z o.o.

ul. Słoneczna 16K 76-200 SŁUPSK
POLAND

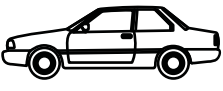









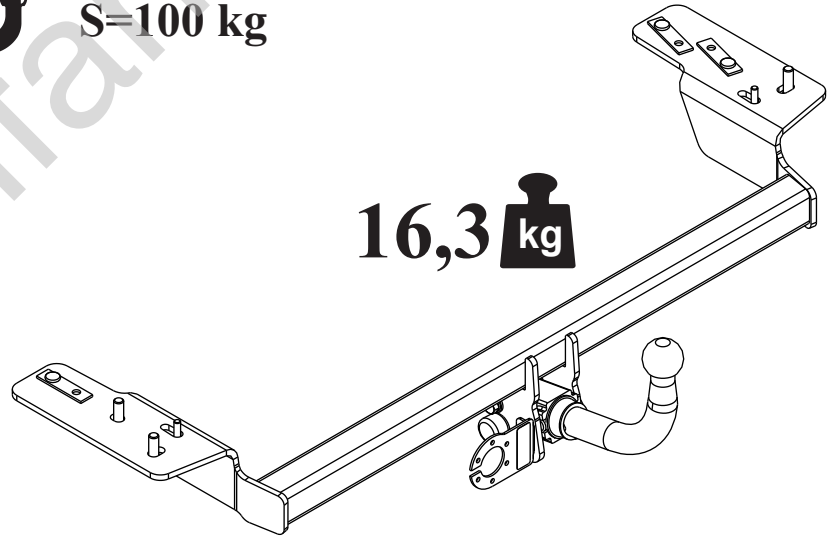
tel/fax +48 59 8 414 414; +48 59 8 414 413

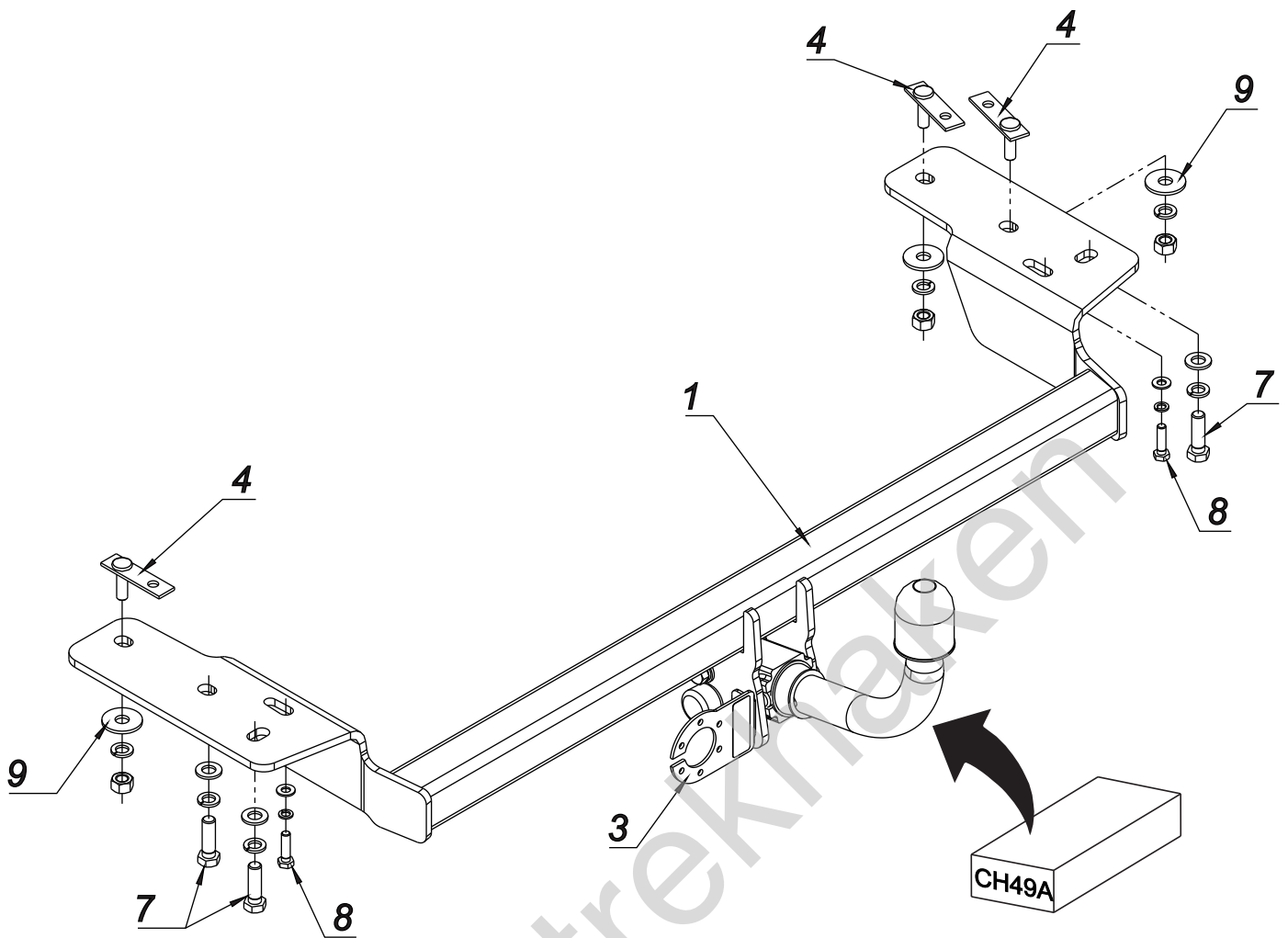
e-mail: office@autohak.com.pl

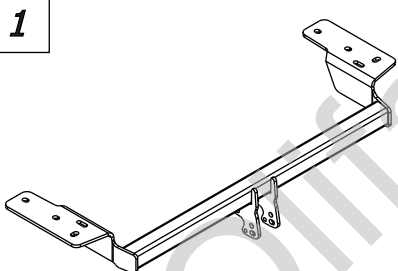

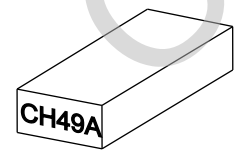

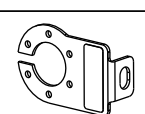

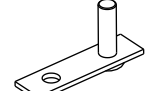

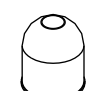

www.autohak.com.pl

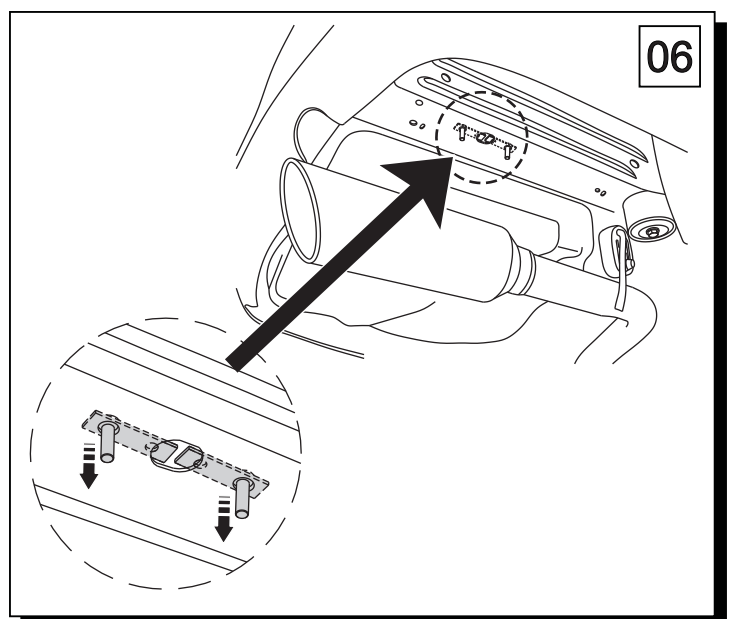
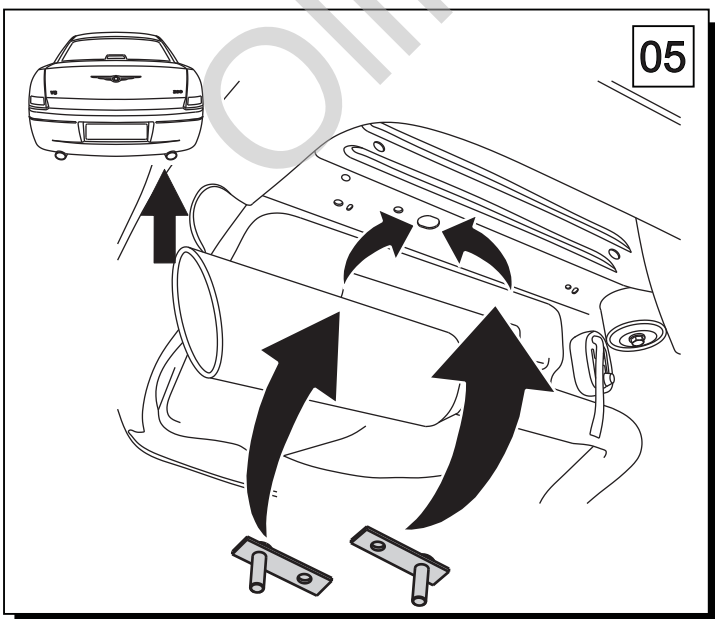
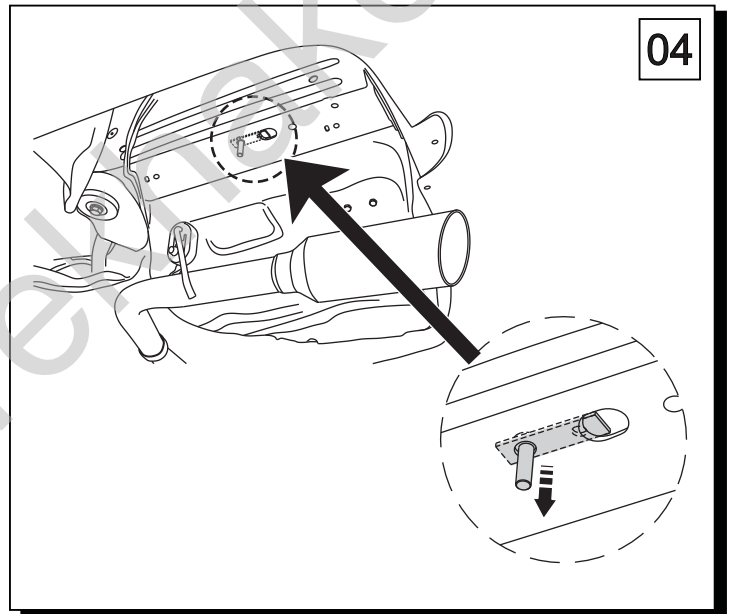
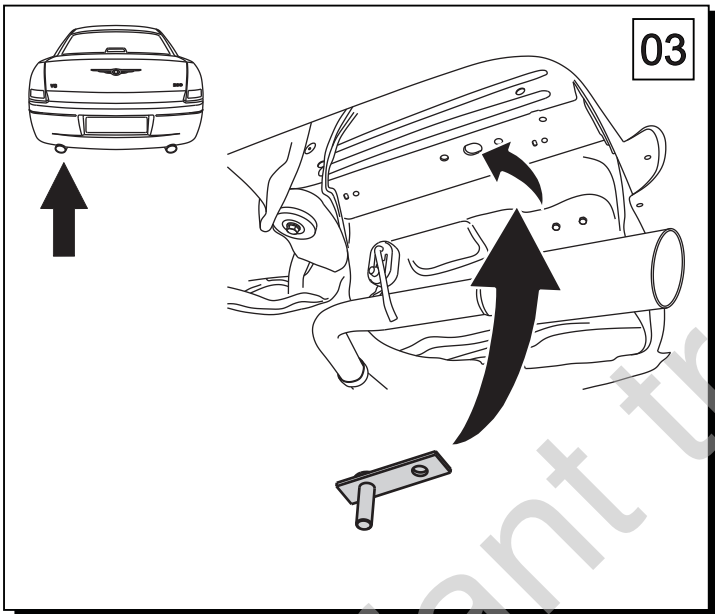
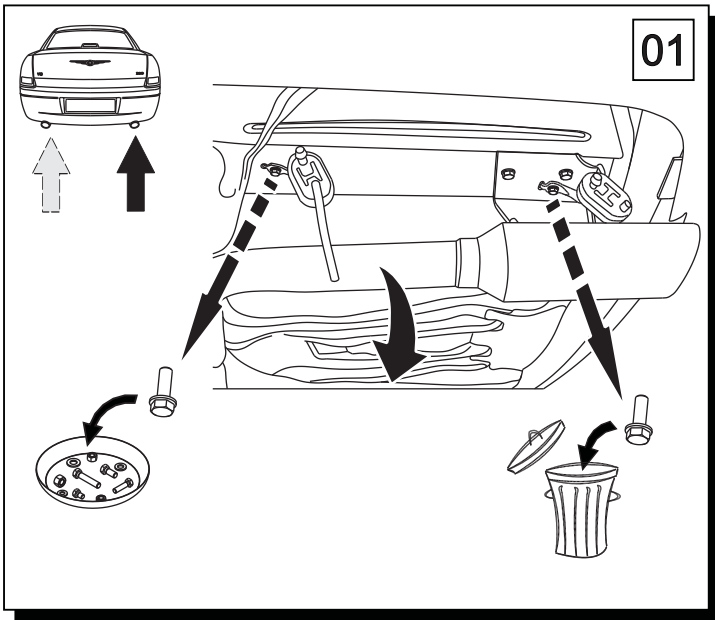


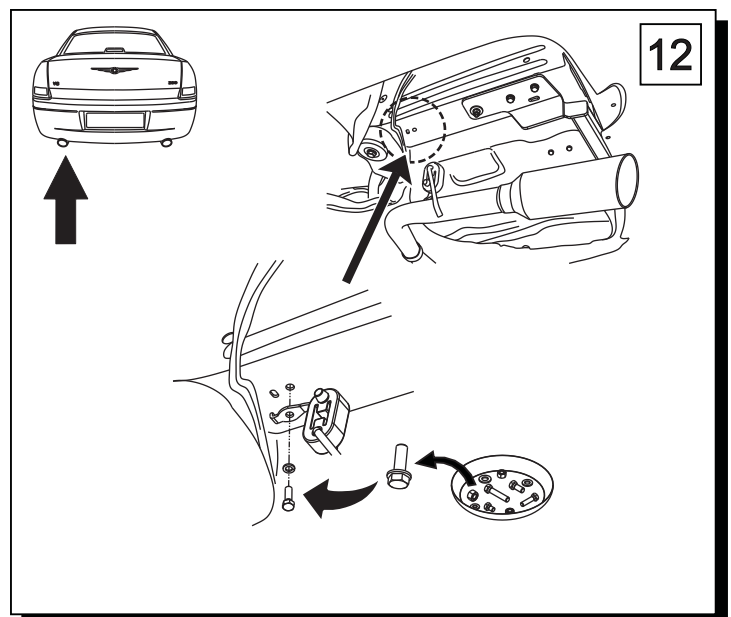
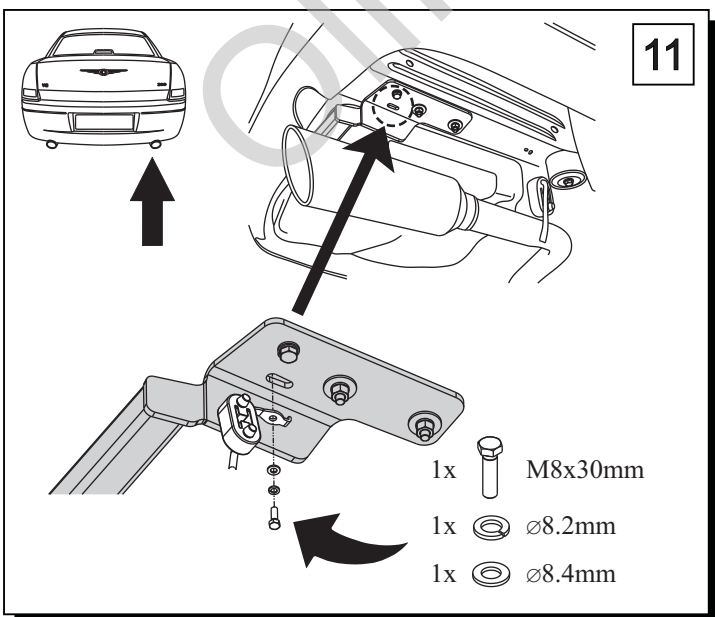
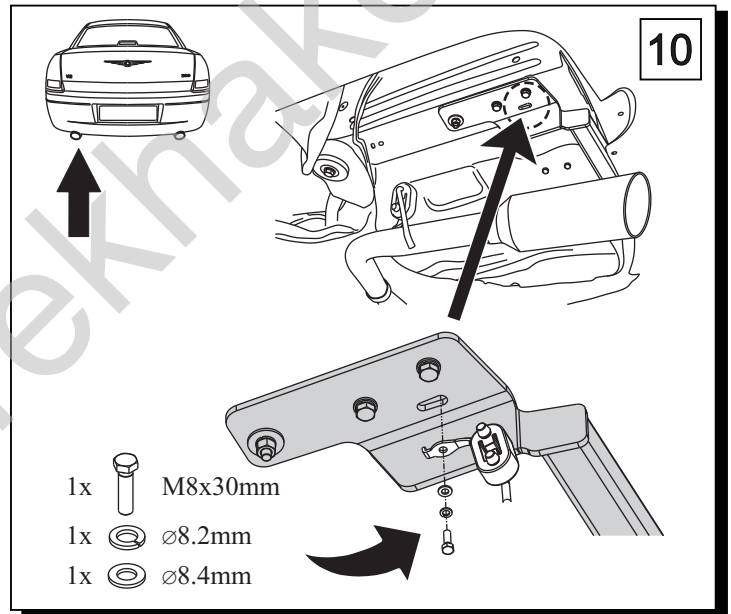
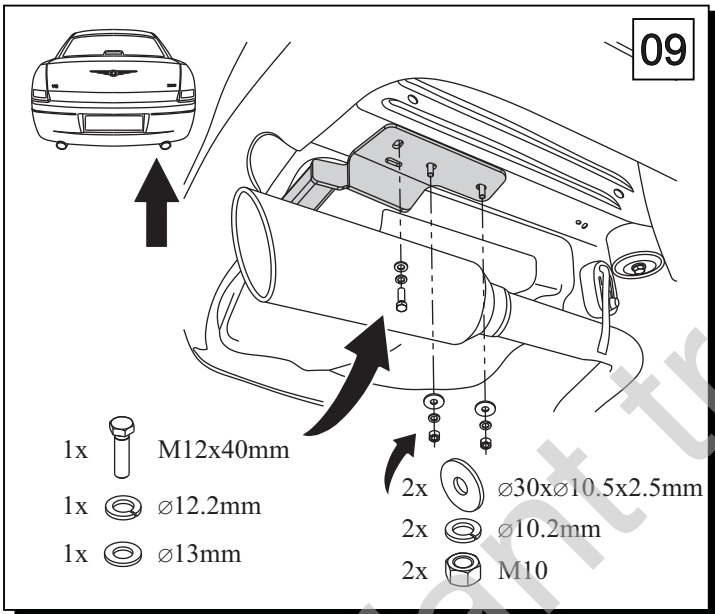
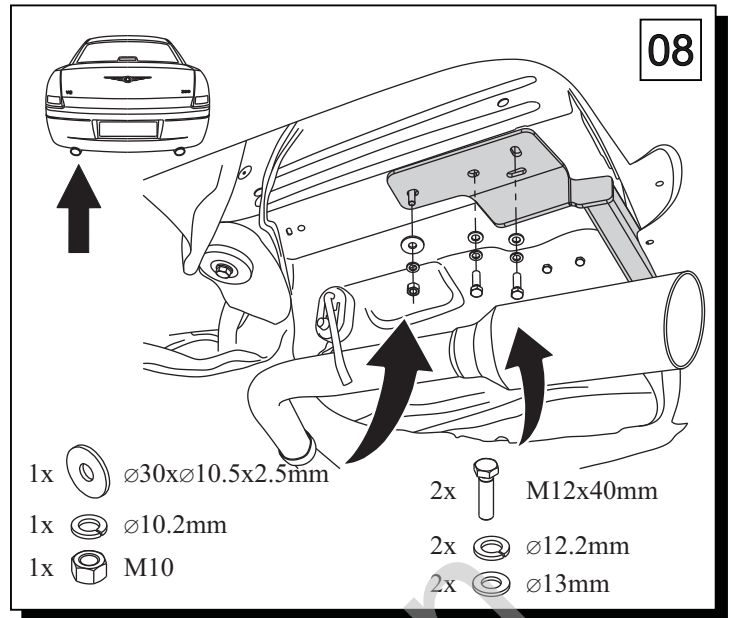
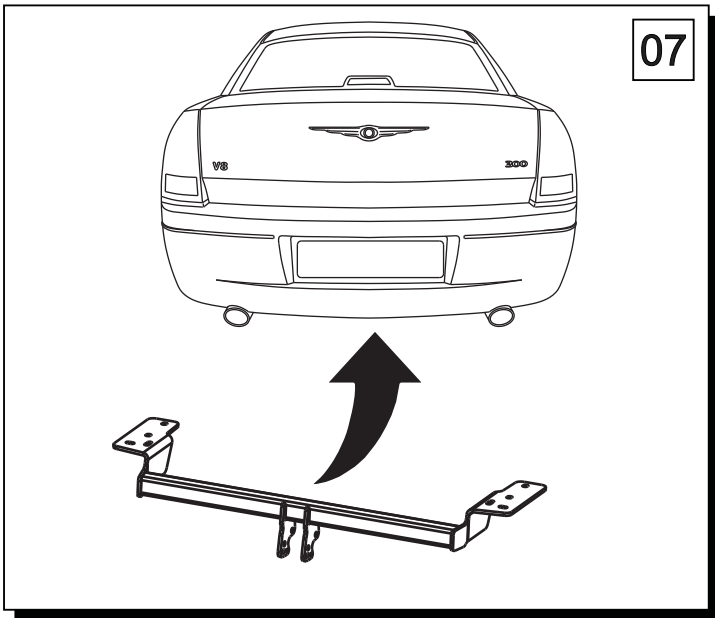
AUTO-HAK

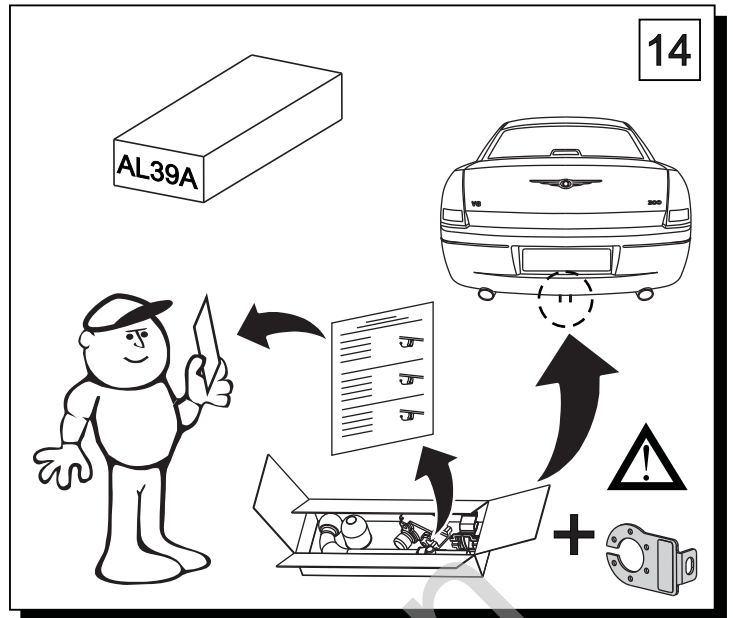
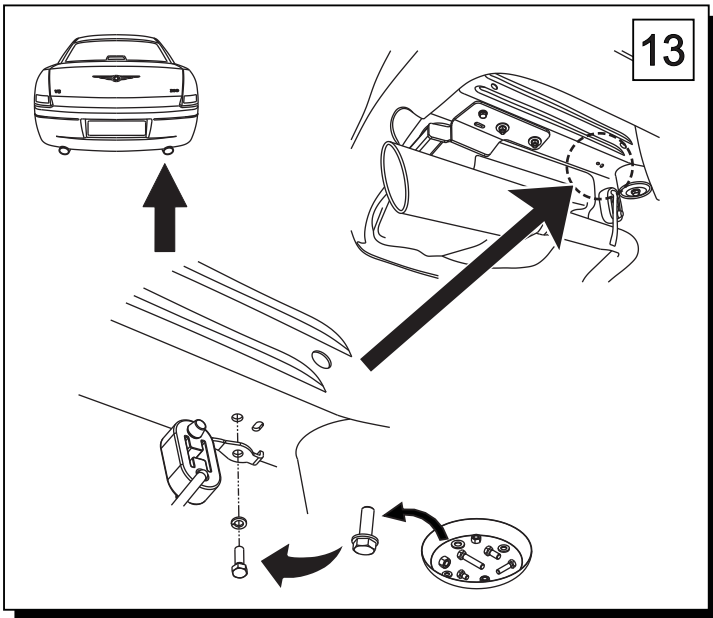

	CHRYSLER 300C 4D, 4x4 SRT	Cat. no:
	06.2004 → 10.2011	CH49A
	CHRYSLER 300C TOURING KOMBI, 4x4 SRT	
	09.2004 → 01.2011	 1,5h
 e20	e20*94/20*0712*00	 <input type="checkbox"/>
D	10,7 kN	 <input type="checkbox"/>
	R=2000 kg	 <input type="checkbox"/>
	S=100 kg	
	16,3 kg	
		





1  x 1		7 M12x40	x 3
		8 M8x30	x 2
2  x 1 Art.nr-KL1CH49A		9 ϕ 30x ϕ 10,5x2,5 10 (DIN 9021)	x 3
		10 ϕ 13	x 5
3  x 1 Art.nr-BL1CH49A		11 ϕ 8.4	x 2
		12 ϕ 12.2	x 3
4  x 3		13 ϕ 10.2	x 3
		14 ϕ 8.2	x 2
5  x 1		15 M10	x 3





M6	-	11 Nm	M8	-	25 Nm
M10	-	50 Nm	M12	-	87 Nm
M14	-	138 Nm	M16	-	210 Nm


0 km → 
1000 km