

# AUTO-HAK Sp. z o.o.

ul. Słoneczna 16K 76-200 SŁUPSK  
POLAND

tel/fax +48 59 8 414 414; +48 59 8 414 413

e-mail: [office@autohak.com.pl](mailto:office@autohak.com.pl)

[www.autohak.com.pl](http://www.autohak.com.pl)



# AUTO-HAK



## CHRYSLER VOYAGER, GRAND VOYAGER

Stow 'n Go

 09.2004 → 02.2008

 03.2008 →

## DODGE GRAND CARAVAN

Stow 'n Go

 04.2008 →

 E20

E20-55R-01 4469

**D**

10,7 kN



R=1800 kg



S=80 kg

Cat. no:

**CH48A**

09.2004 → 02.2008

03.2008 →

## DODGE GRAND CARAVAN

Stow 'n Go

04.2008 →

E20

E20-55R-01 4469

D

10,7 kN



R=1800 kg



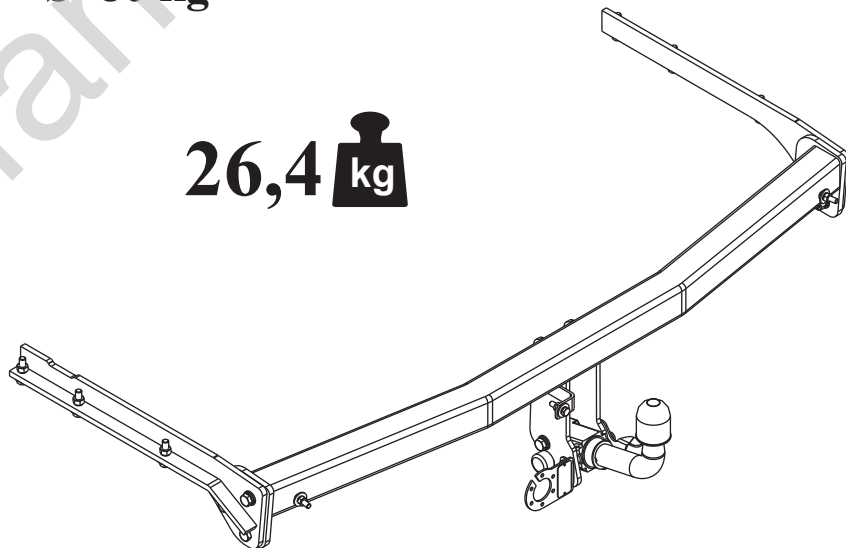
S=80 kg

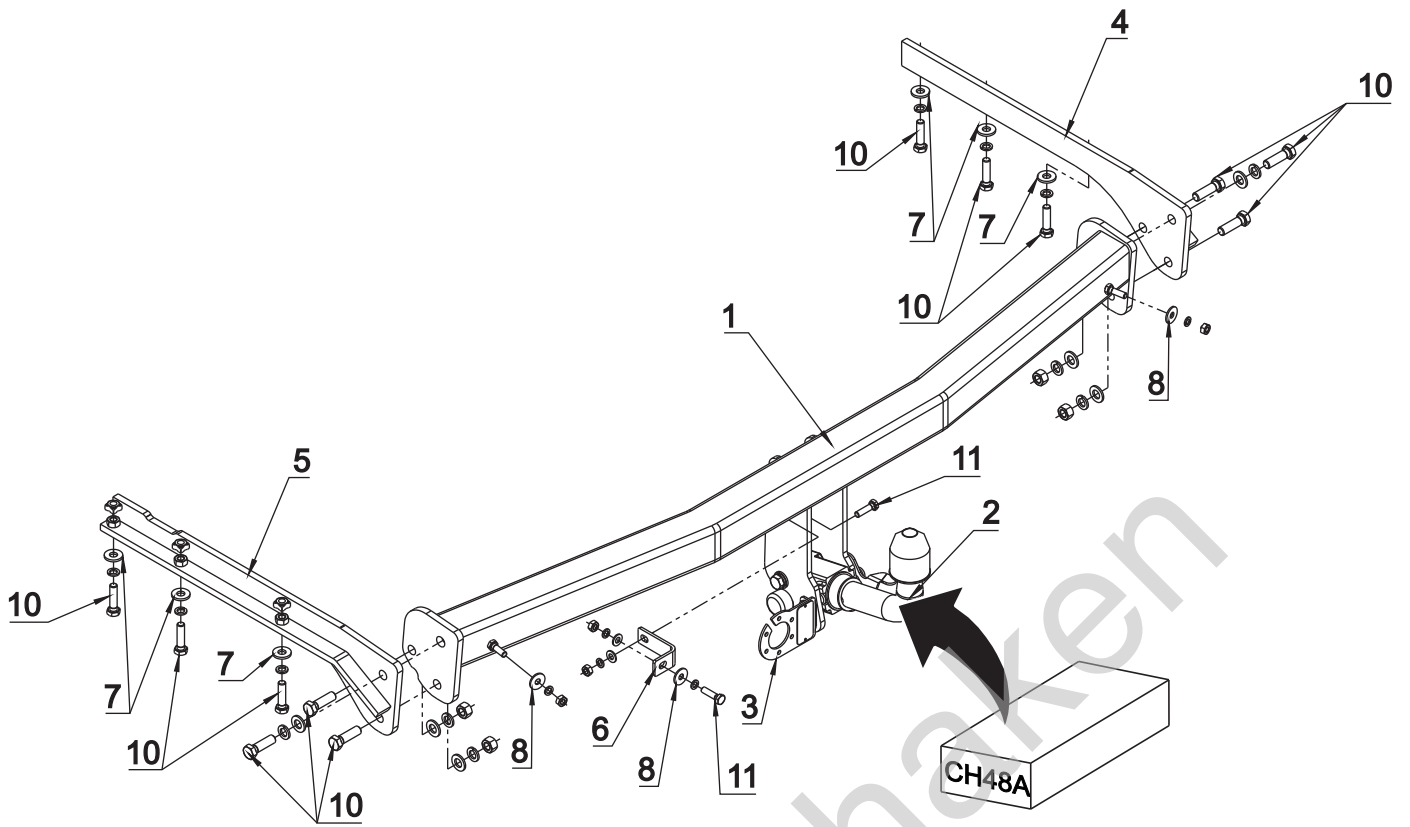


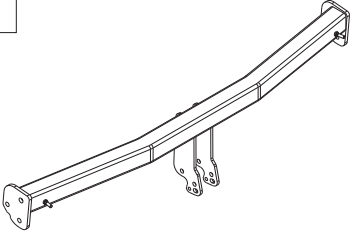

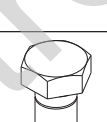
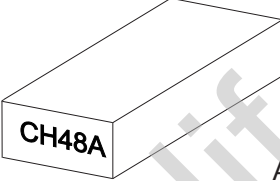
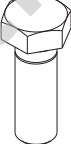

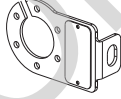

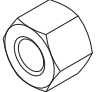
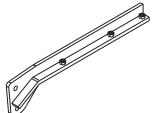
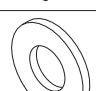

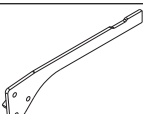
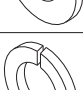

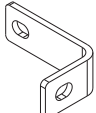
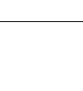

2h

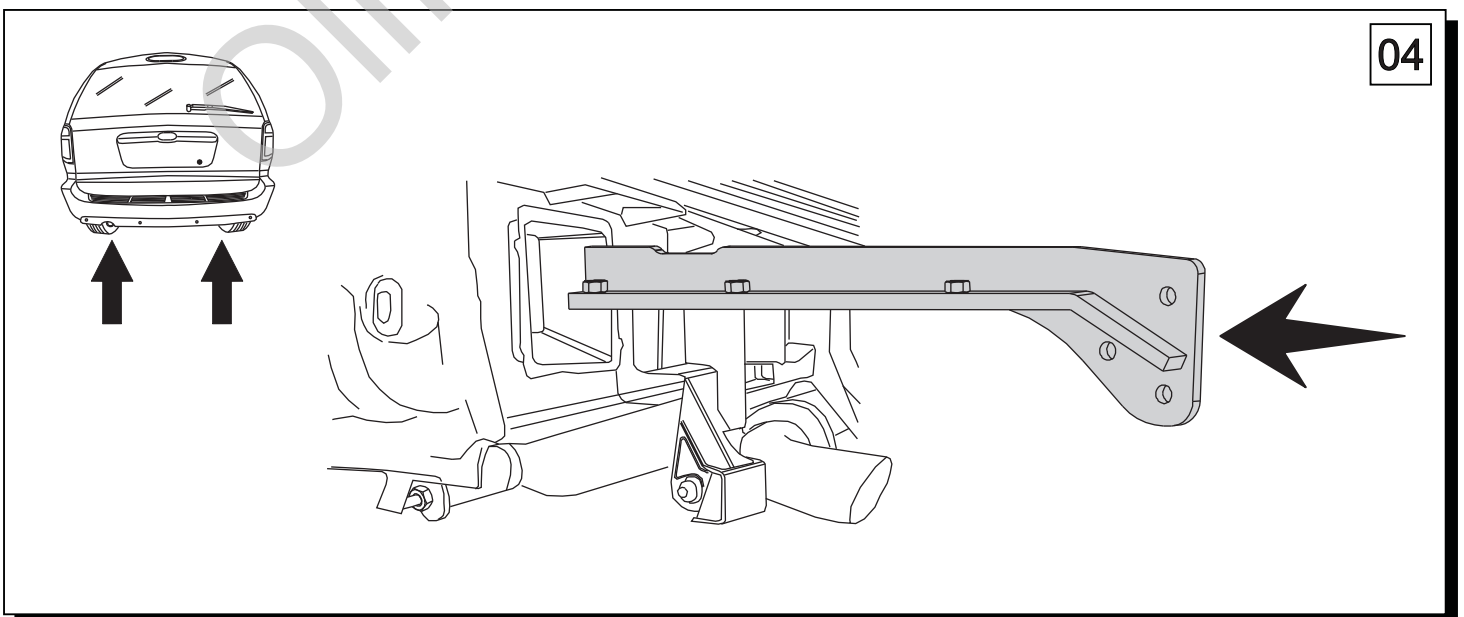
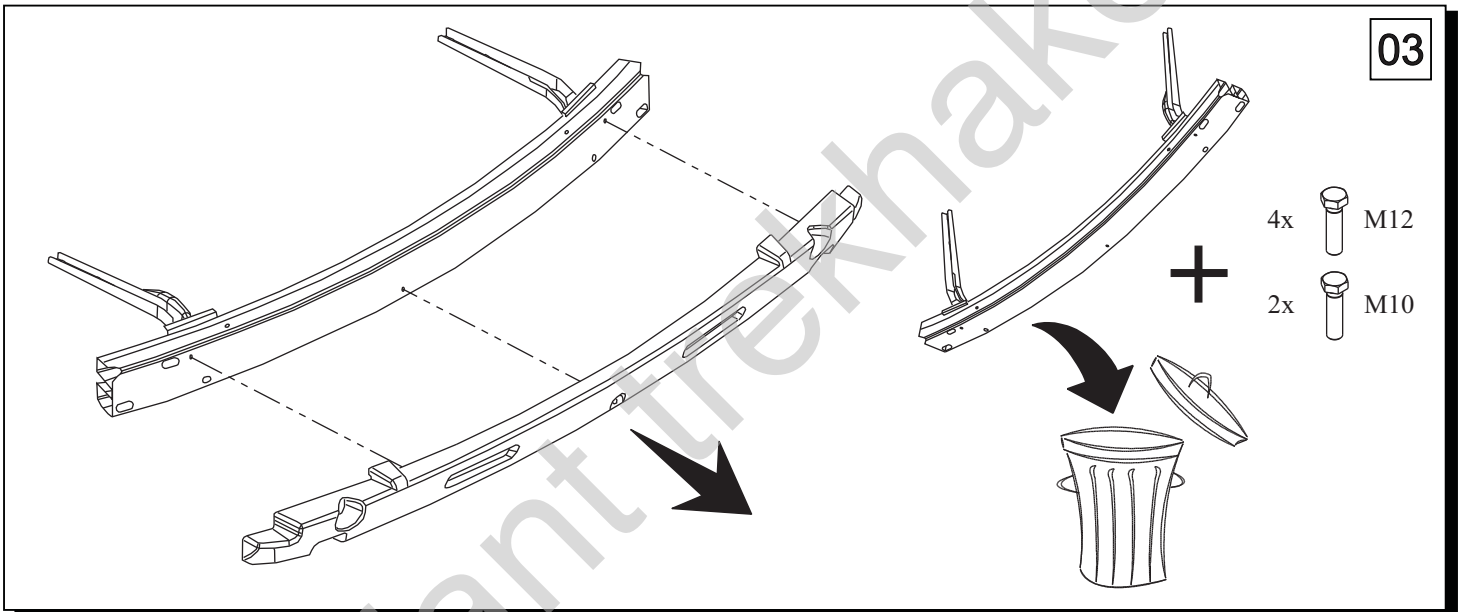
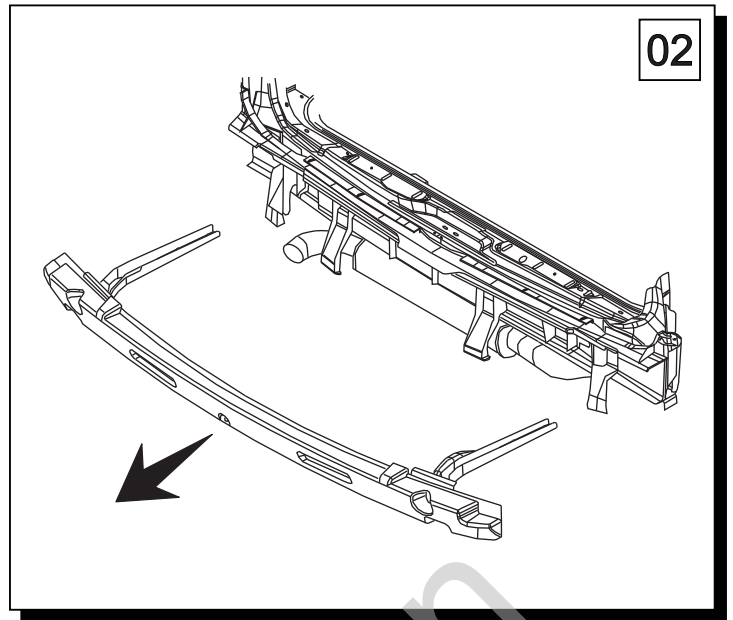
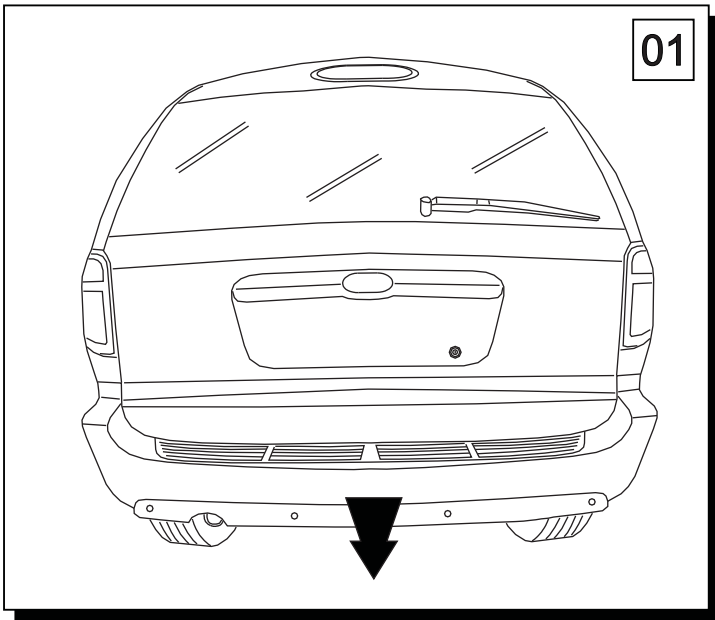


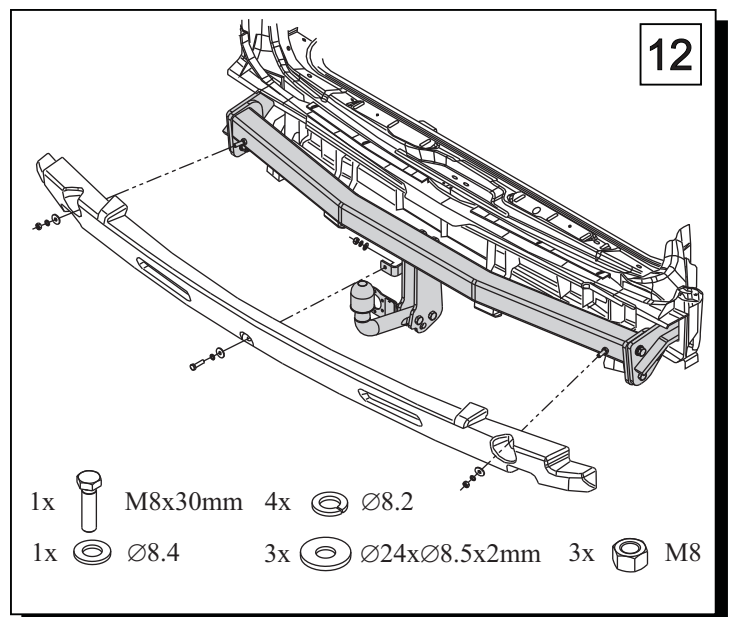
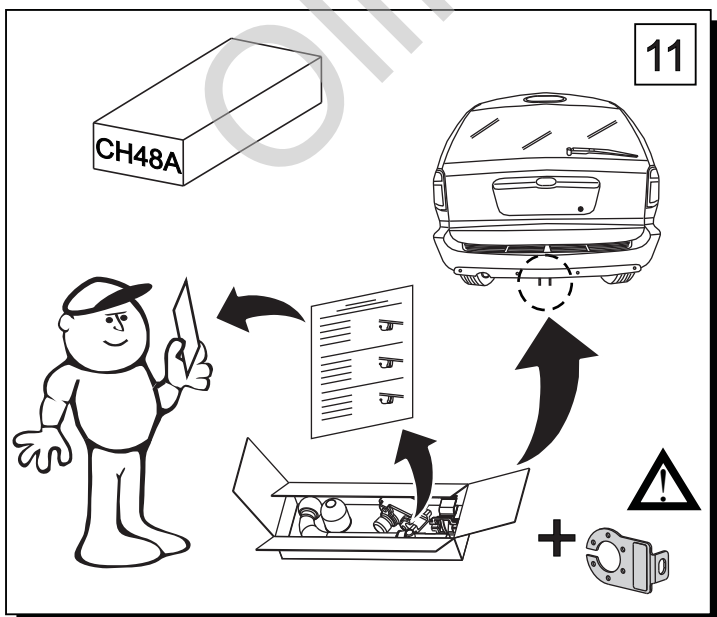
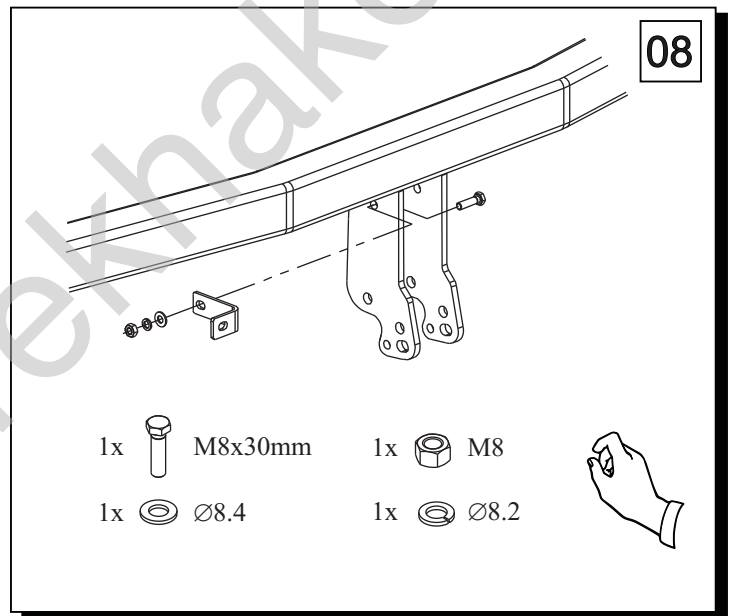
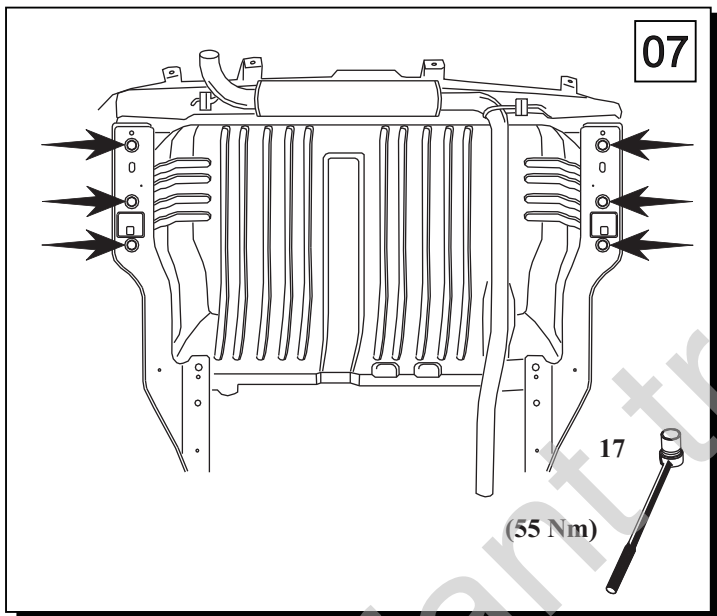
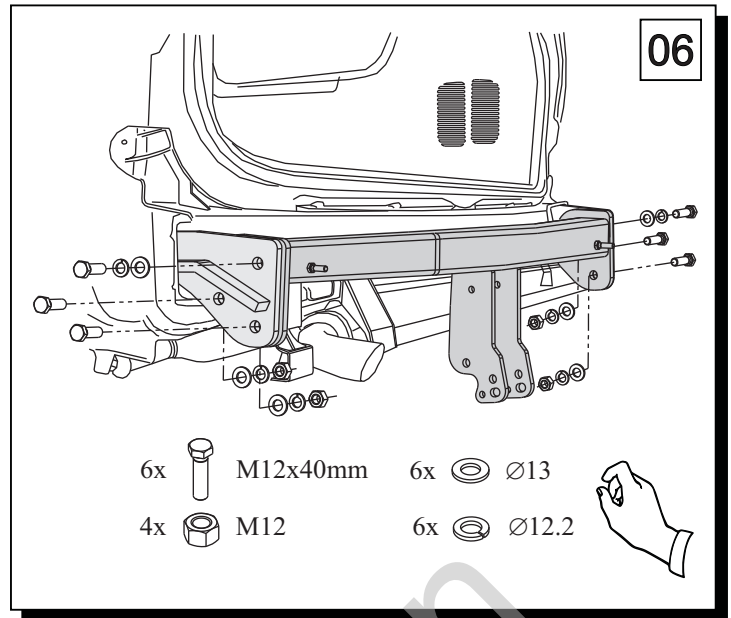
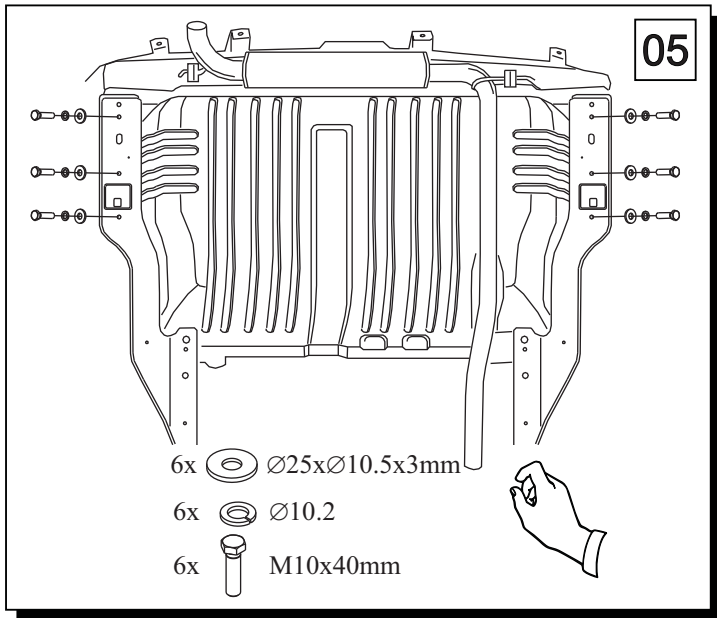
26,4 kg 

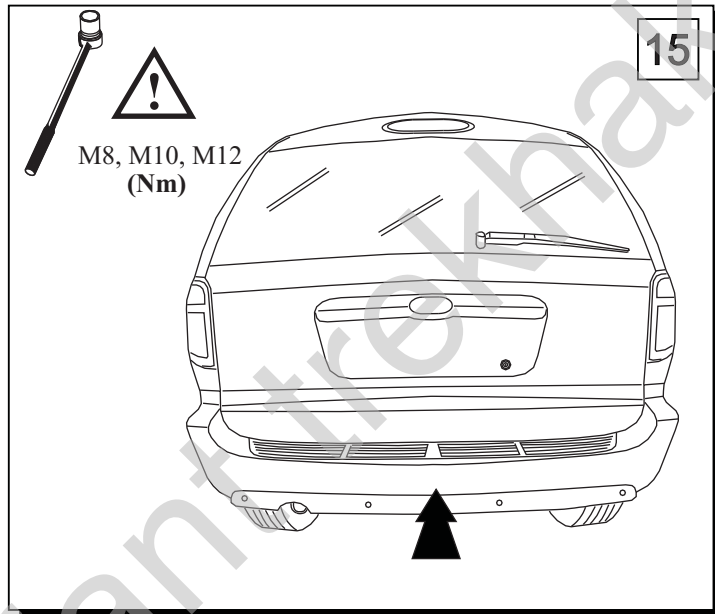
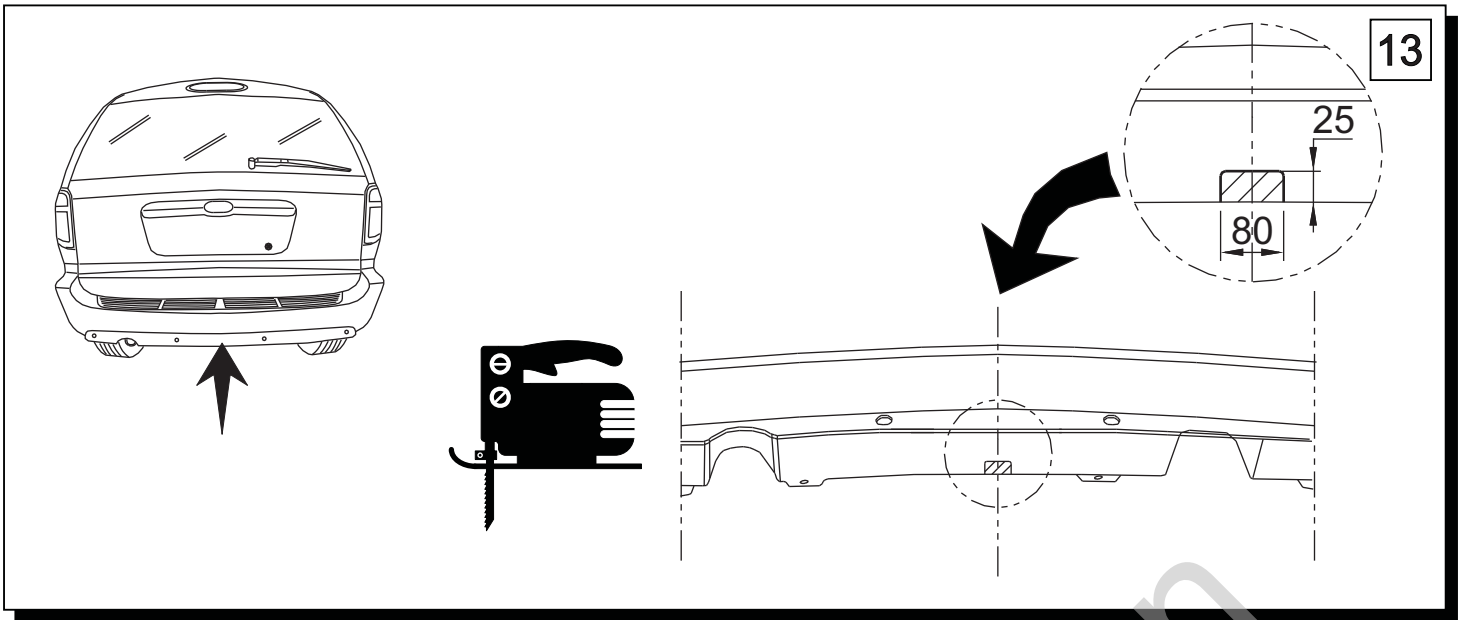







	x 1		7 $\phi$ 25x $\phi$ 10.5x3	x 6
				8 $\phi$ 24x $\phi$ 8.5x2
 Art.nr-KL1CH48A	x 1		9 M12x40	x 6
				10 M10x40
 Art.nr-BL1CH48A	x 1		11 M8x30	x 2
				12 M12
	x 1		13 M8	x 4
				14 $\phi$ 13
	x 1		15 $\phi$ 8.4	x 2
				16 $\phi$ 12.2
	x 1		17 $\phi$ 10.2	x 6
				18 $\phi$ 8.2







	M6	-	11 Nm	M8	-	25 Nm
	M10	-	50 Nm	M12	-	87 Nm
	M14	-	138 Nm	M16	-	210 Nm
	 0 km →  1000 km					