

# AUTO-HAK Sp. z o.o.

ul. Słoneczna 16K 76-200 SŁUPSK  
POLAND

tel/fax +48 59 8 414 414; +48 59 8 414 413

e-mail: [office@autohak.com.pl](mailto:office@autohak.com.pl)

[www.autohak.com.pl](http://www.autohak.com.pl)



# AUTO-HAK

## FORD GALAXY

5D, VAN, wersja po liftingu/version after lifting

Nr kat.

C73A



08.2015 →



E20-55R-02 6245



2h



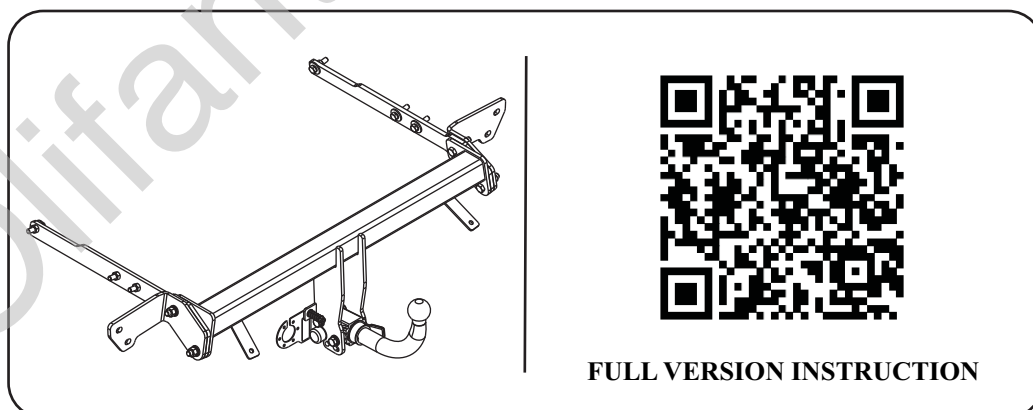
12,1 kN



R=2100 kg



S=120 kg



FULL VERSION INSTRUCTION



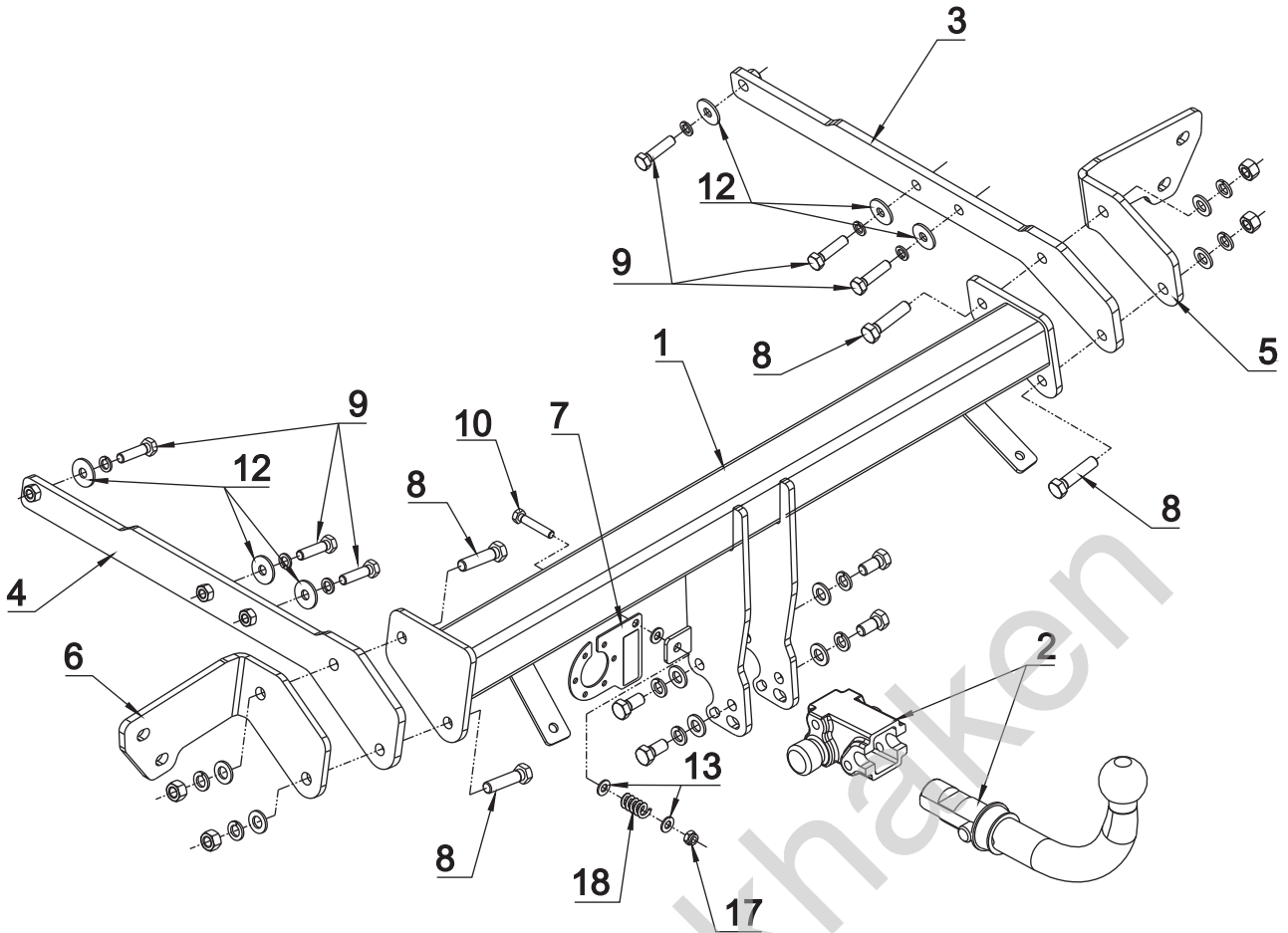
śruba	Nm	M6	M8	M10	M12	M14	M16
klasa 8.8		9,9	24	48	83	132	200
klasa 10.9		14	34	67	117	185	285

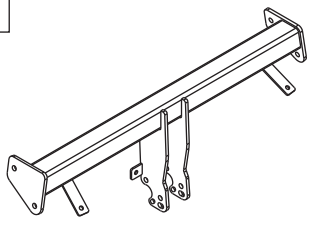


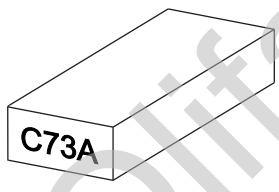


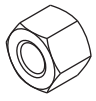
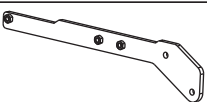


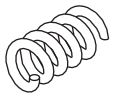
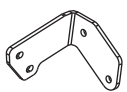



0 km

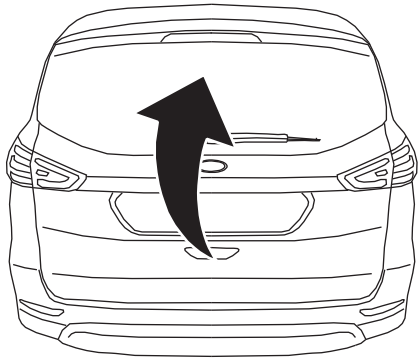


1000 km

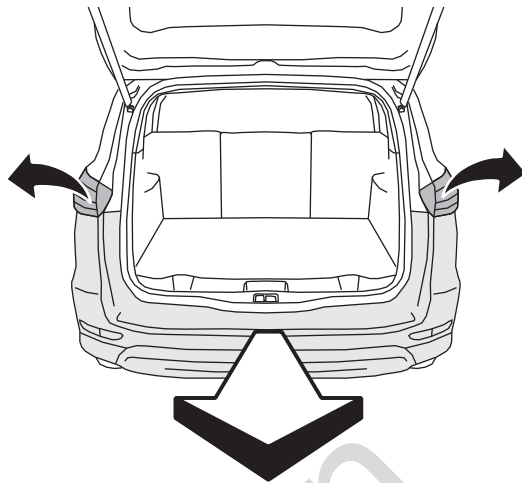


	x1		8	M12x50	x4	
			9	M10x40	x6	
			10	M8x45	x1	
				11	∅ 13	x4
				12	∅ 30x∅10.5x2.5 10 (DIN 9021)	x6
				13	∅ 8.4	x3
 C73A Art.nr-KL1C73A	x1		14	∅ 12.2	x4	
			15	∅ 10.2	x6	
				x1		16
	x1					17
				x1	18	
	x1	 Art.nr-BL1C73A				

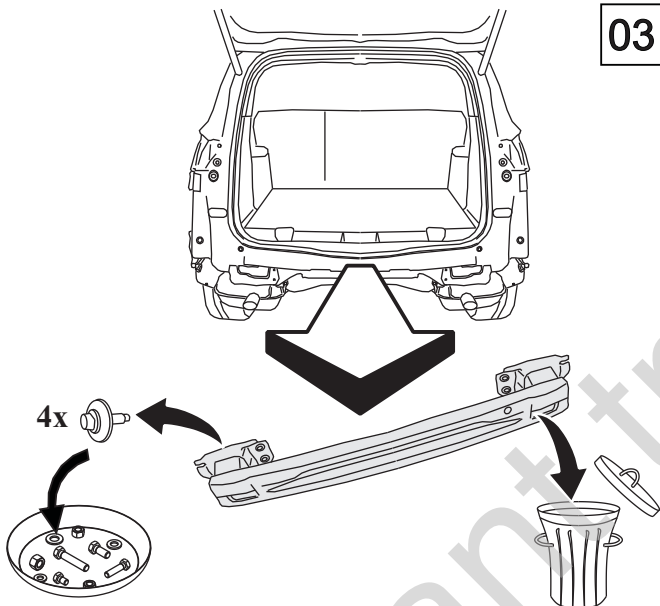
01



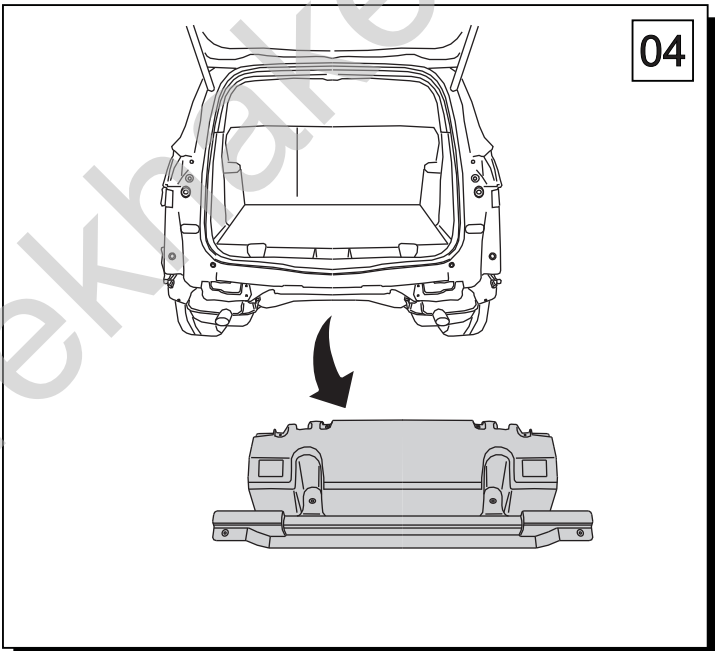
02



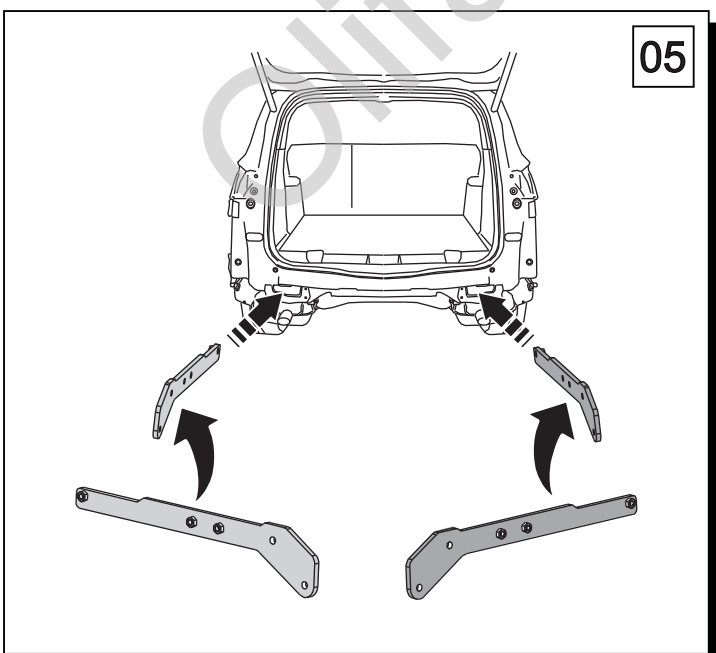
03



04



05



06

