

AUTO-HAK Sp. z o.o.

ul. Słoneczna 16K 76-200 SŁUPSK
POLAND

tel/fax +48 59 8 414 414; +48 59 8 414 413

e-mail: office@autohak.com.pl

www.autohak.com.pl



AUTO-HAK

FORD KUGA III Standard, ST-line, mild hybrid, plug-in hybrid AD BLUE

Nr kat.

C72V



07.2019 →



E20-55R-02 6207



2h



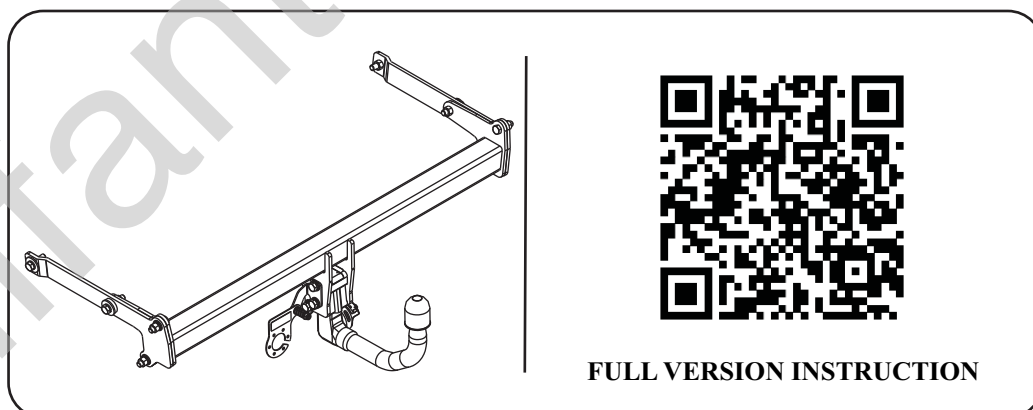
10,85 kN



R=2100 kg



S=120 kg



FULL VERSION INSTRUCTION



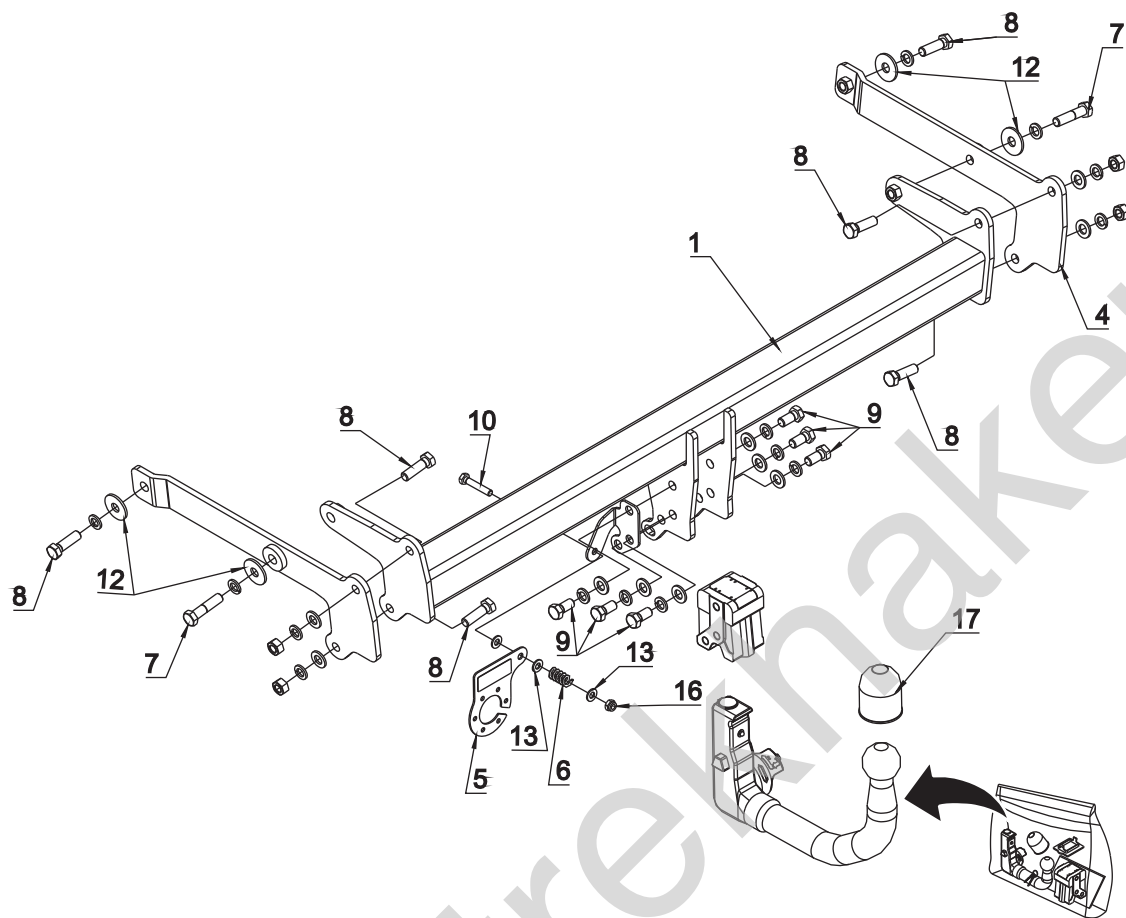
śruba	Nm	M6	M8	M10	M12	M14	M16
klasa 8.8		9,9	24	48	83	132	200
klasa 10.9		14	34	67	117	185	285

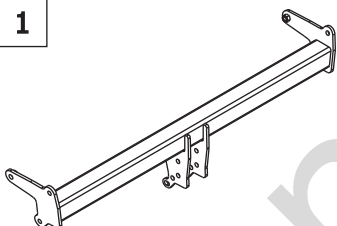



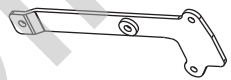

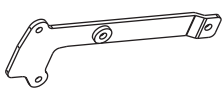







0 km →

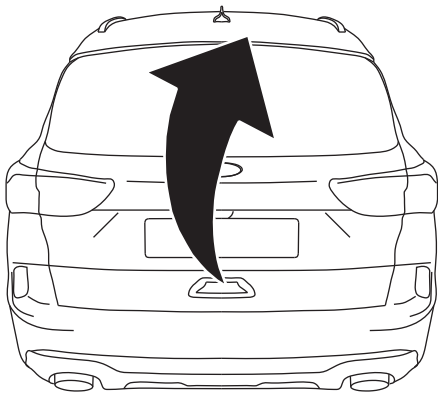


1000 km

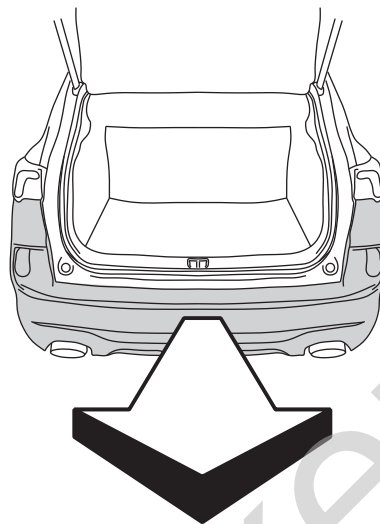


	x 1		7	M 12x50	x 2
			8	M 12x40	x 6
 Art.nr-KL1C72V	x 1		9	M 12x25	x 6
			10	M 8x45	x 1
			12	∅ 37x∅13x3 13 (DIN 9021)	x 4
			13	∅ 8.4	x 3
	x 1		14	∅ 12.2	x 16
				x 1	
	x 1				
				x 1	

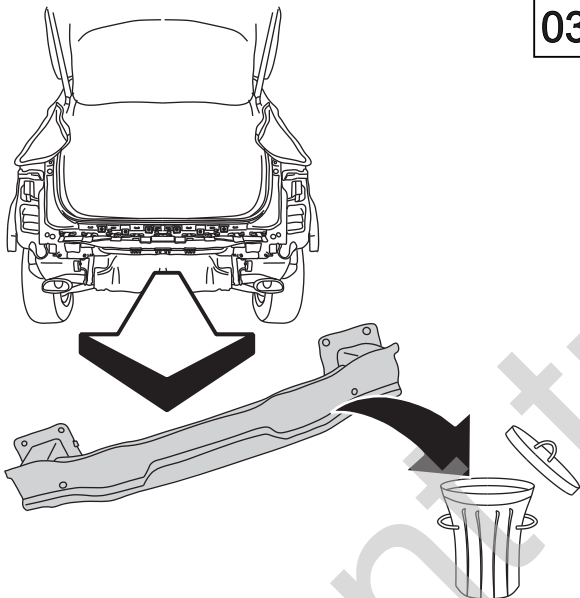
01



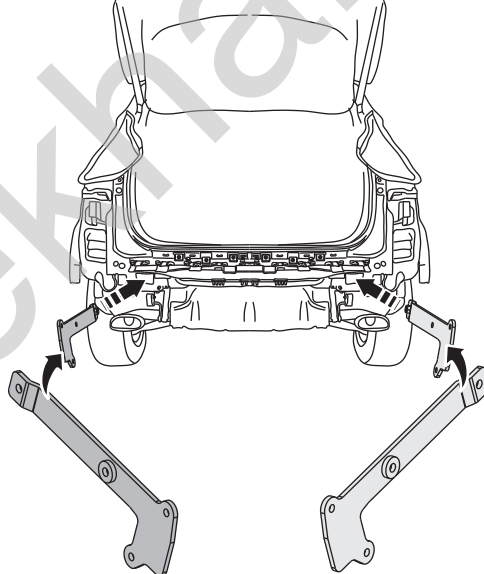
02



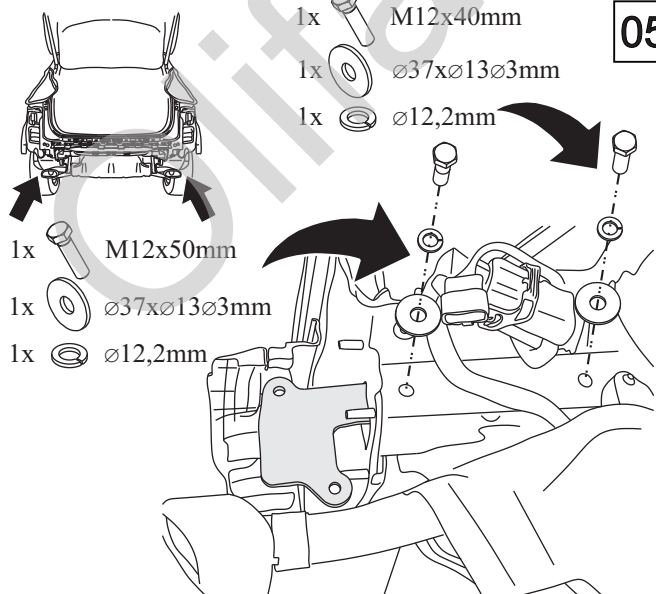
03



04



05



06

