

AUTO-HAK Sp. z o.o.

ul. Słoneczna 16K 76-200 SŁUPSK
POLAND

tel/fax +48 59 8 414 414; +48 59 8 414 413

e-mail: office@autohak.com.pl

www.autohak.com.pl



AUTO-HAK

FORD KUGA III Standard, ST-line, mild hybrid, plug-in hybrid AD BLUE


Nr kat.


C72

 07.2019 →

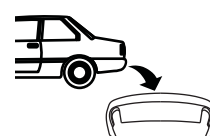
 E20-55R-02 6205

D 10,85 kN

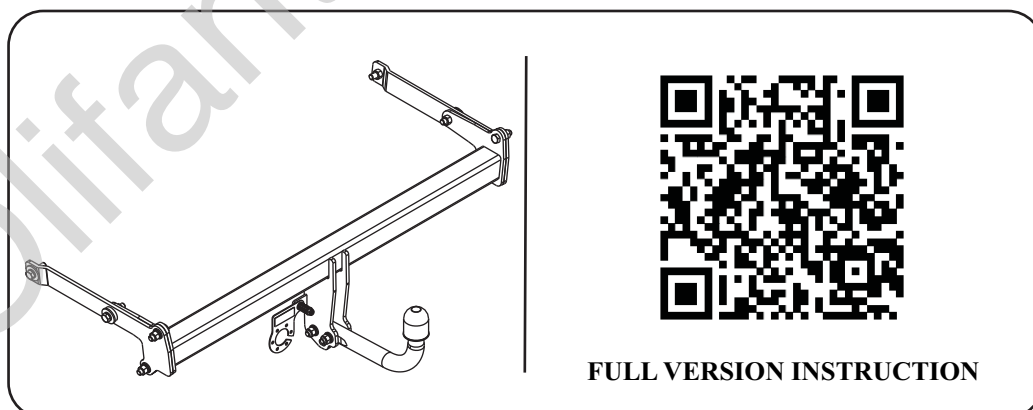
 **R=2100 kg**

 **S=120 kg**

 2h





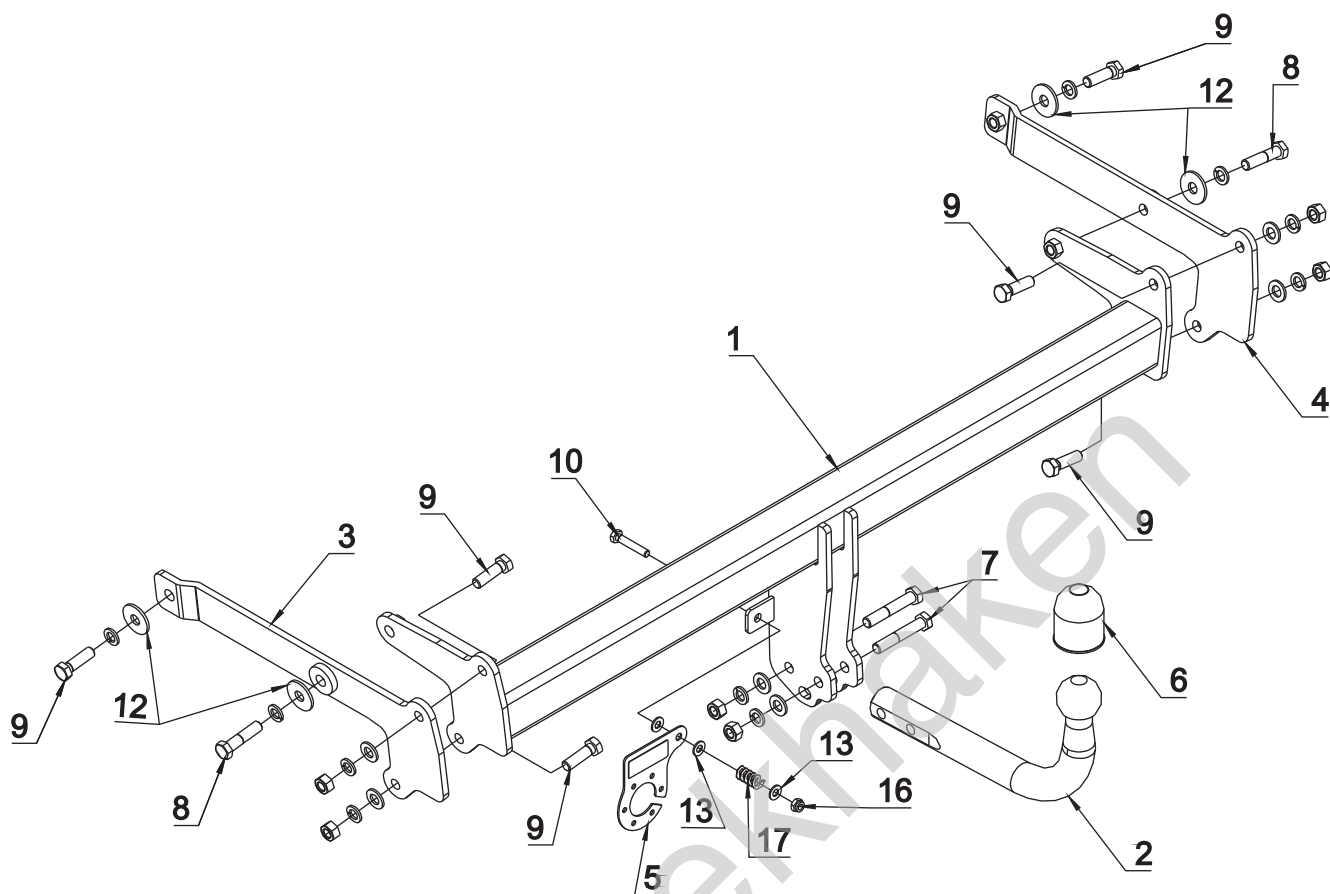


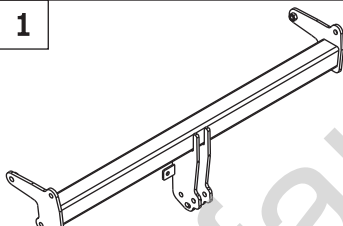







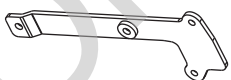

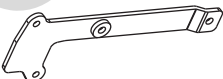




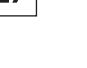

FULL VERSION INSTRUCTION



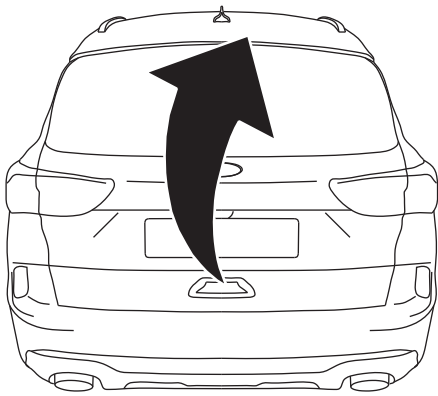
śruba	Nm	M6	M8	M10	M12	M14	M16
klasa 8.8		9,9	24	48	83	132	200
klasa 10.9		14	34	67	117	185	285

 0 km →  1000 km

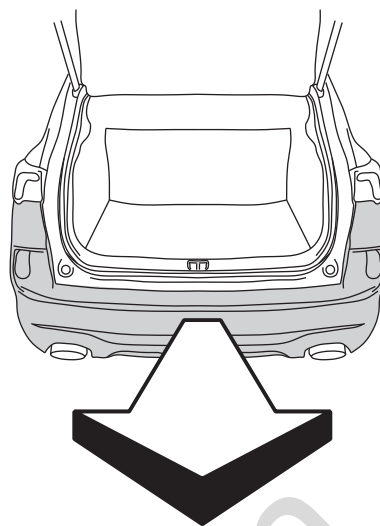


1		x1		7 M12x70	x2
				8 M12x50	x2
				9 M12x40	x6
				10 M8x45	x1
				11 \varnothing 13	x6
2	 Art.nr-KL1C72	x1		12 \varnothing 37x \varnothing 13x3 13 (DIN 9021)	x4
3		x1		13 \varnothing 8.4	x3
4		x1		14 \varnothing 12.2	x10
5	 Art.nr-BL1C72	x1		15 M12	x6
6		x1		16 M8 (DIN985)	x1
				17	x1

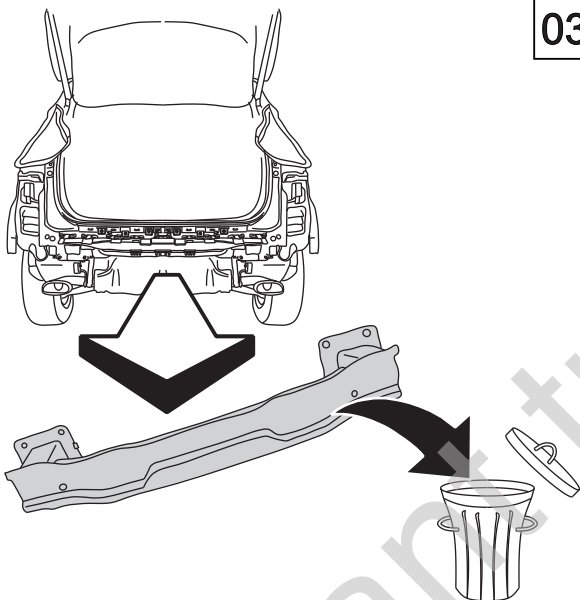
01



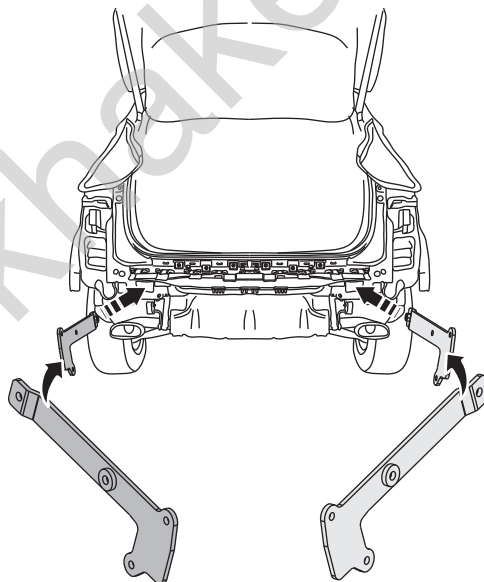
02



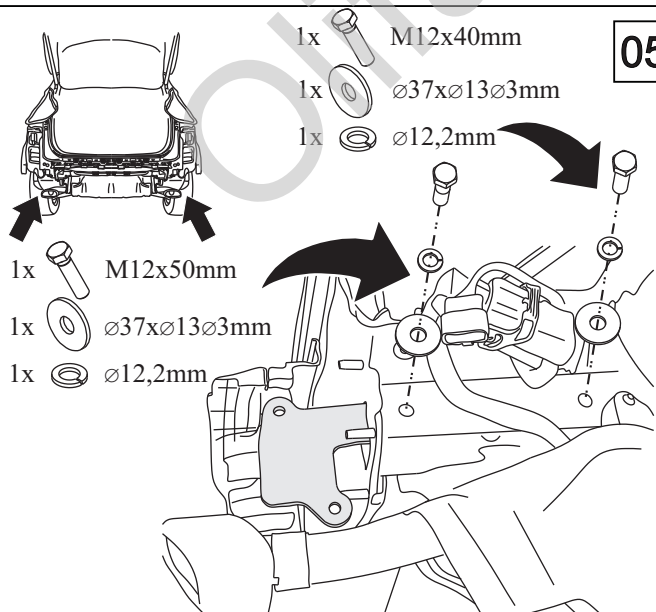
03



04



05



06

