

# AUTO-HAK Sp. z o.o.

ul. Słoneczna 16K 76-200 SŁUPSK  
POLAND

tel/fax +48 59 8 414 414; +48 59 8 414 413

e-mail: [office@autohak.com.pl](mailto:office@autohak.com.pl)

[www.autohak.com.pl](http://www.autohak.com.pl)





# AUTO-HAK

## FORD PUMA STANDARD, ST-LINE, ST-LINE X TITANIUM, TITANIUM X


Nr kat.


**C69A**

 09.2019 →

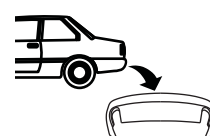
 E20-55R-01 6025

**D** 7,50 kN

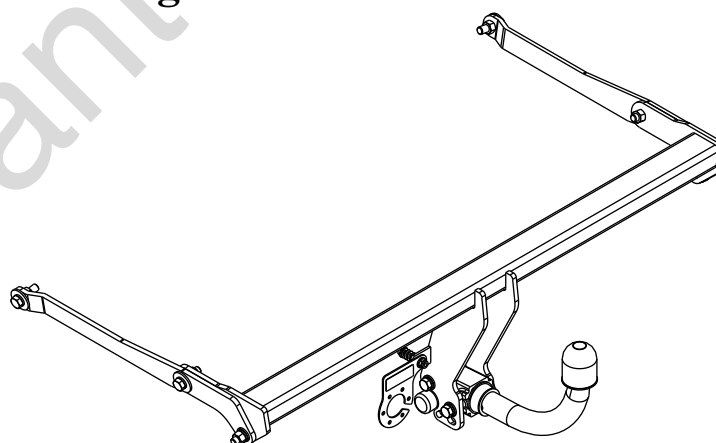
 R=1300 kg

 S=85 kg

 2h

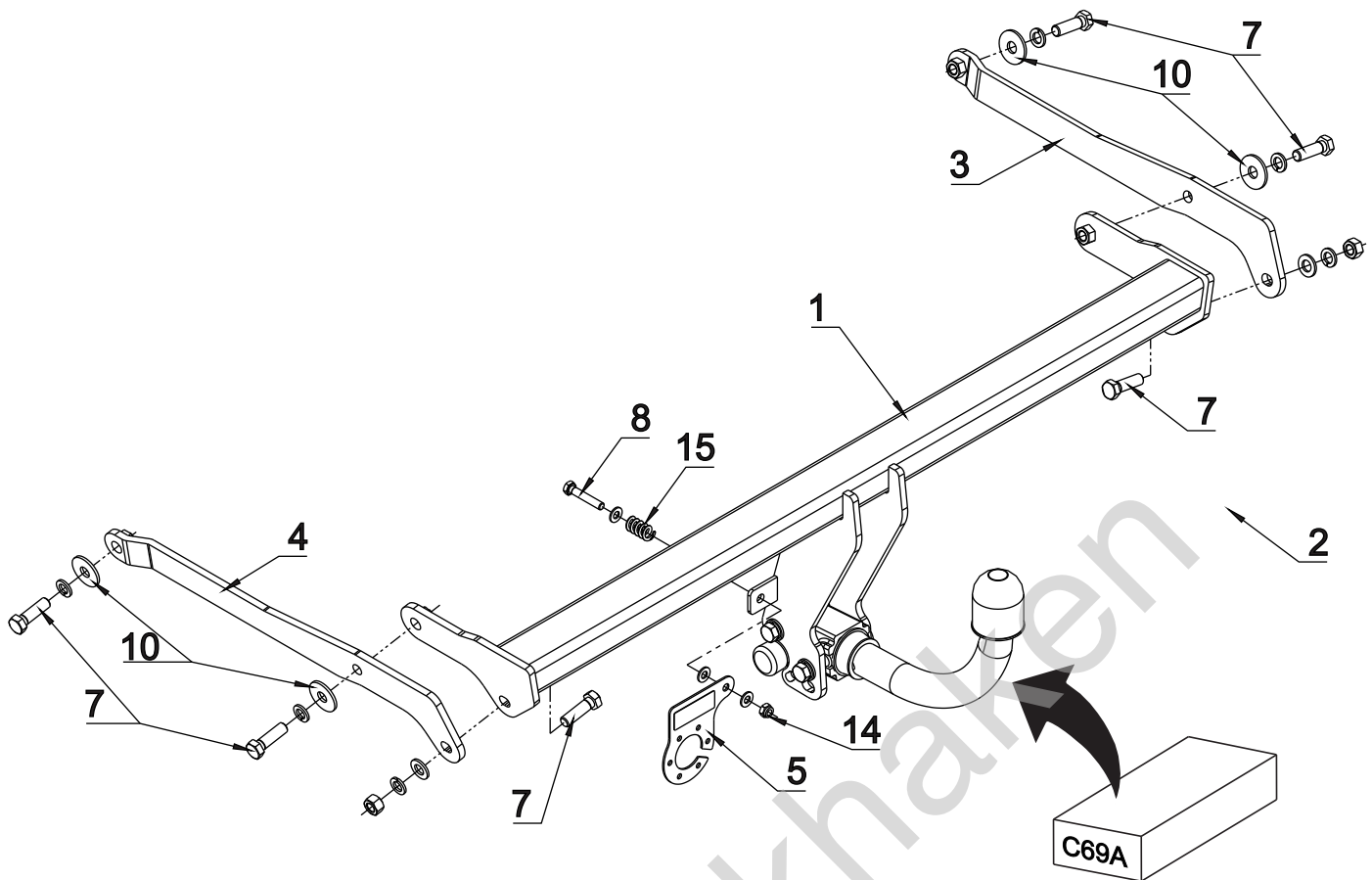


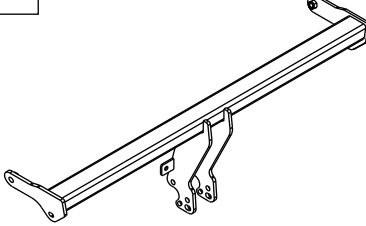

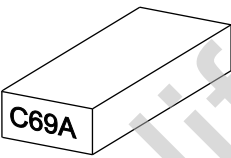
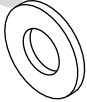
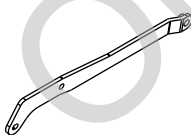

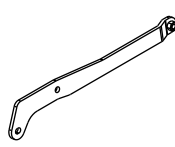
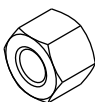
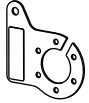
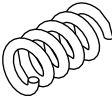
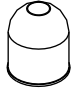


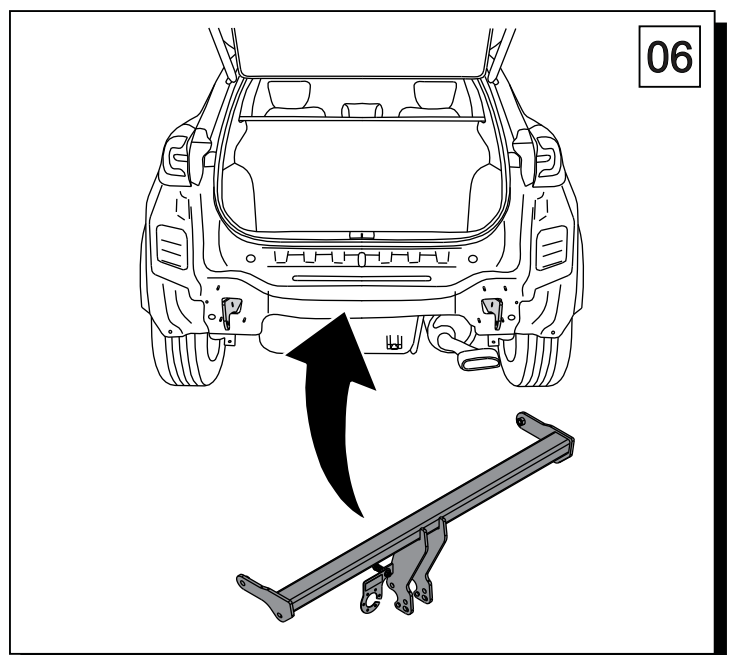
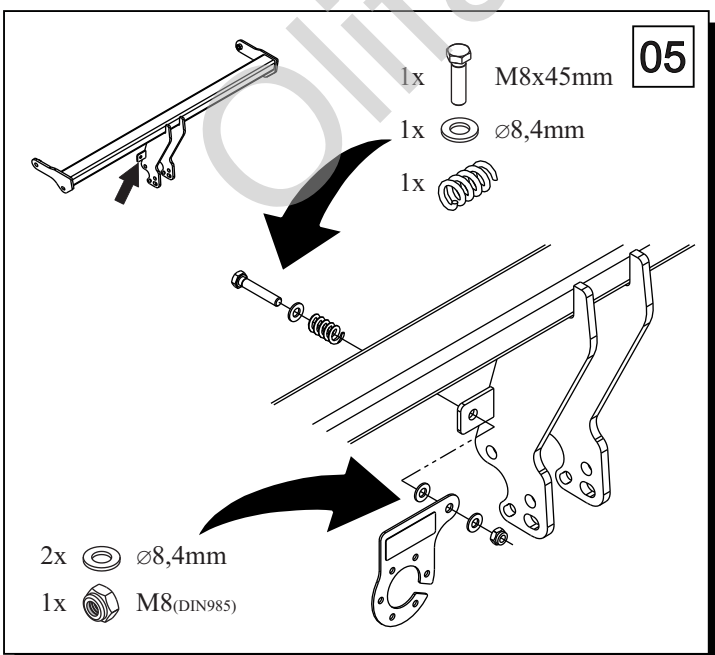
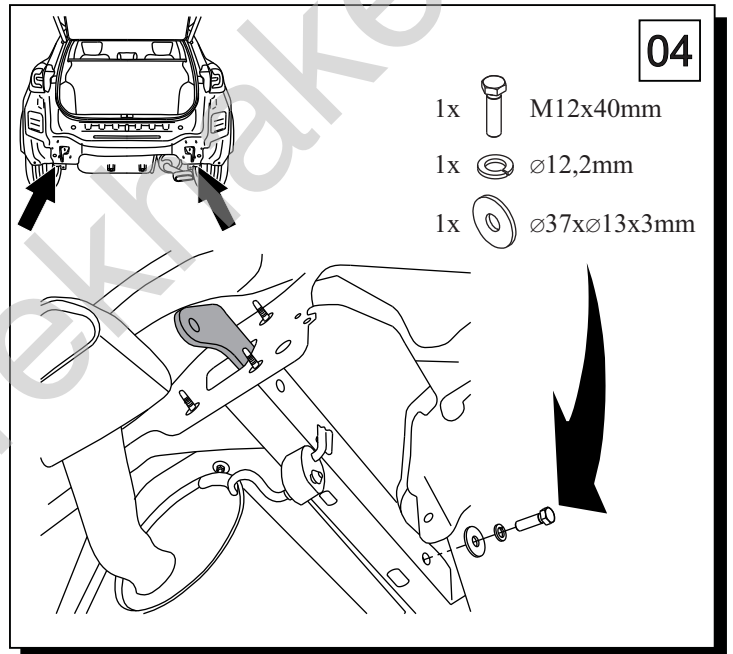
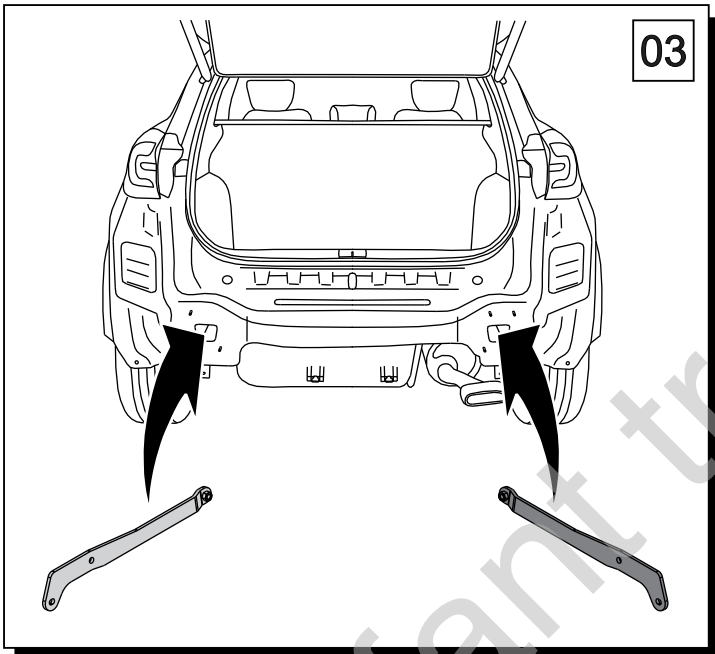
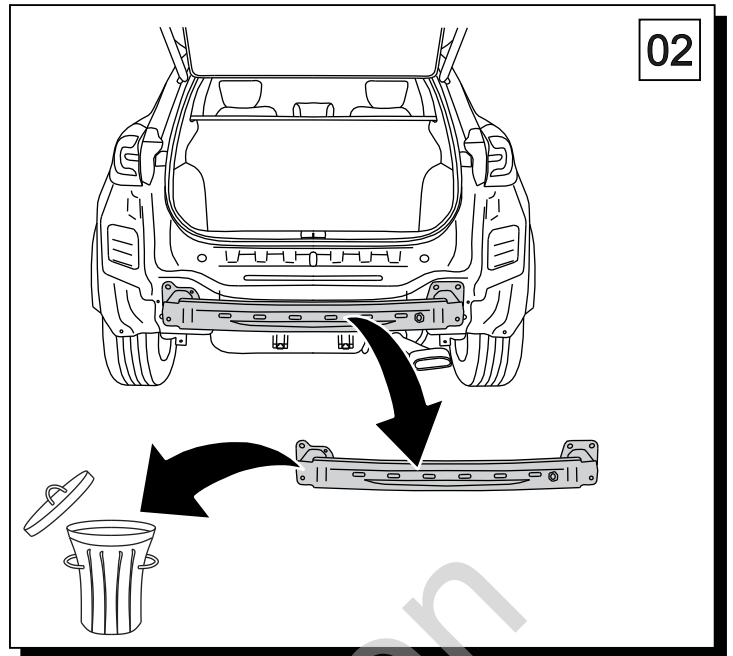
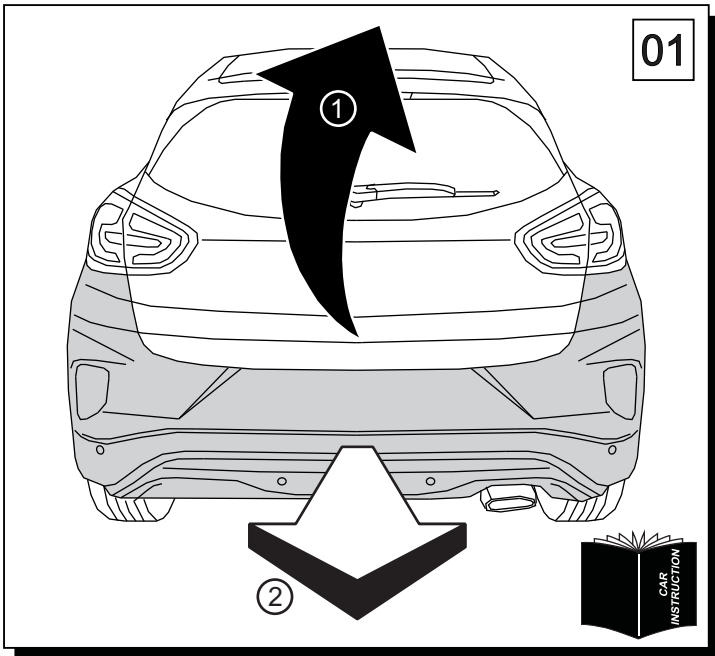


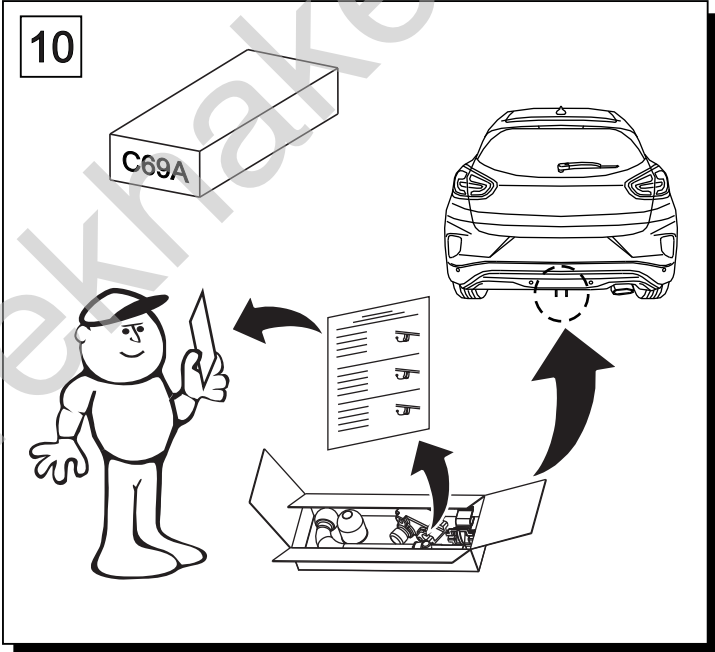
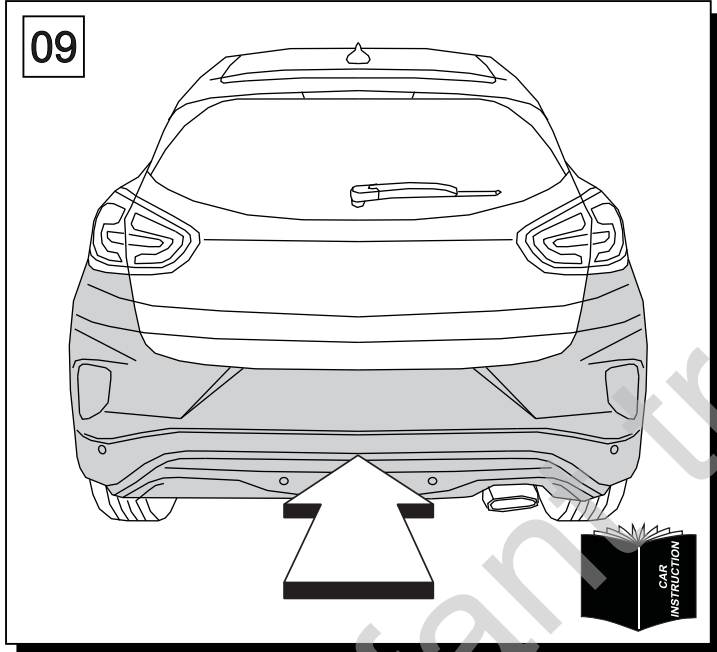
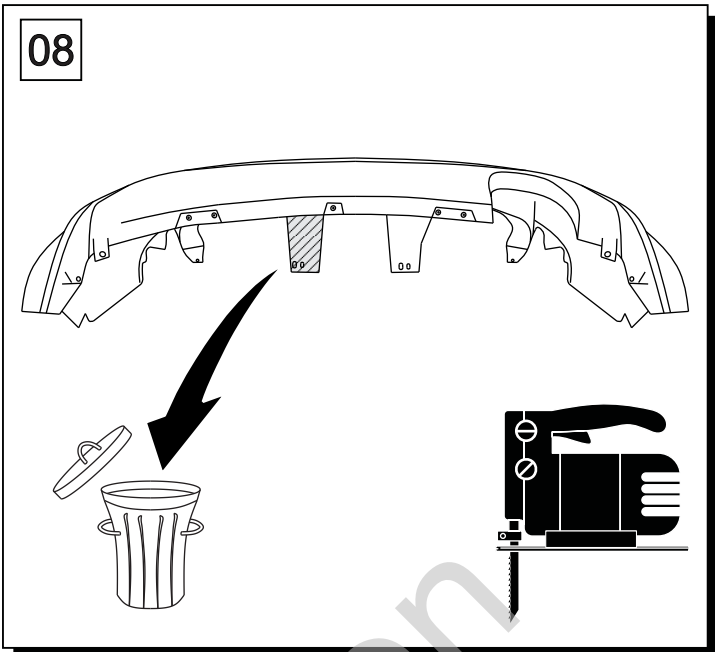
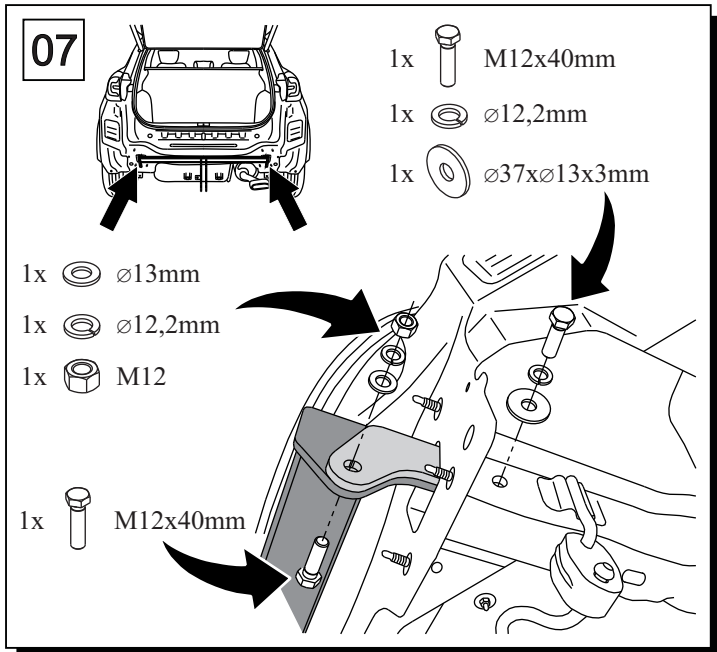

śruba Nm	M6	M8	M10	M12	M14	M16
klasa 8.8	9,9	24	48	83	132	200
klasa 10.9	14	34	67	117	185	285

 0 km →  1000 km





1		x1		7	M12x40	x6
				8	M8x45	x1
2		x1		9	∅ 13	x2
				10	∅ 37x∅13x3 13 DIN 9021	x4
3		x1		11	∅ 8.4	x3
				12	∅ 12.2	x6
4		x1		13	M12	x2
				14	M8 (DIN985)	x1
5		x1	15			
6		x1				
						Art.nr-KL1C69A
						Art.nr-BL12C69A



<b>M6</b>	-	11 Nm	<b>M8</b>	-	25 Nm
<b>M10</b>	-	50 Nm	<b>M12</b>	-	87 Nm
<b>M14</b>	-	138 Nm	<b>M16</b>	-	210 Nm

 **0 km** →  **1000 km**