

AUTO-HAK Sp. z o.o.

ul. Słoneczna 16K 76-200 SŁUPSK
POLAND

tel/fax +48 59 8 414 414; +48 59 8 414 413

e-mail: office@autohak.com.pl

www.autohak.com.pl





AUTO-HAK

FORD PUMA STANDARD, ST-LINE, ST-LINE X TITANIUM, TITANIUM X


Nr kat.


C69

 09.2019 →

 E20-55R-01 6024

D 7,50 kN

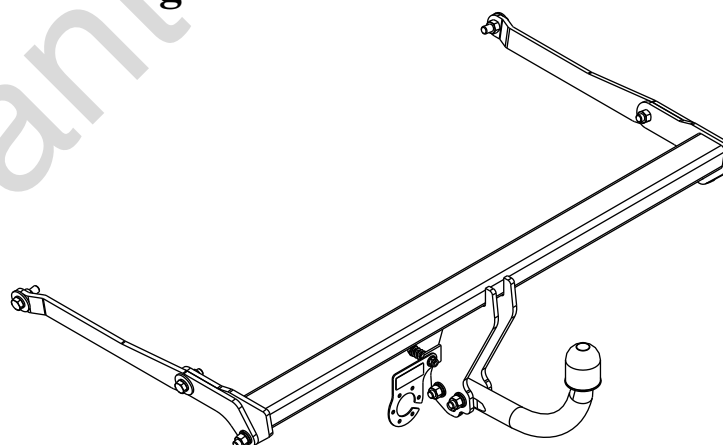
 R=1300 kg

 S=85 kg

 2h

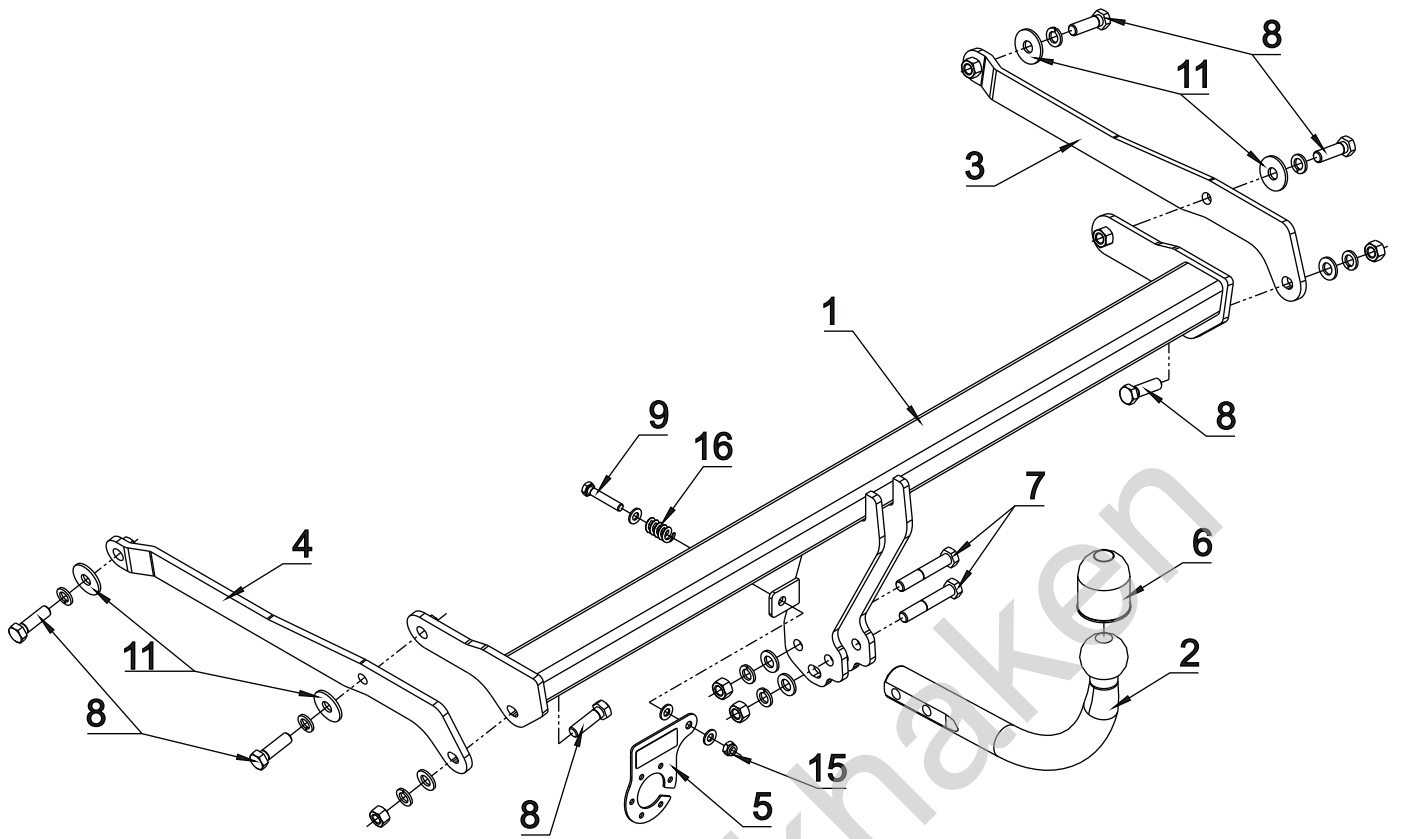


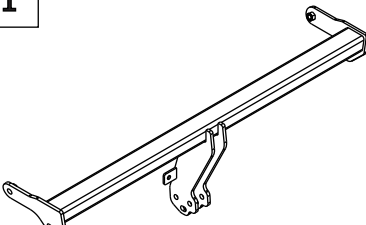





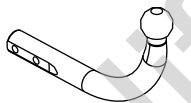

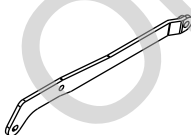
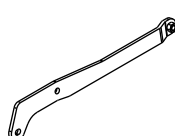
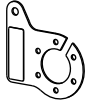
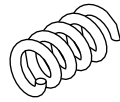



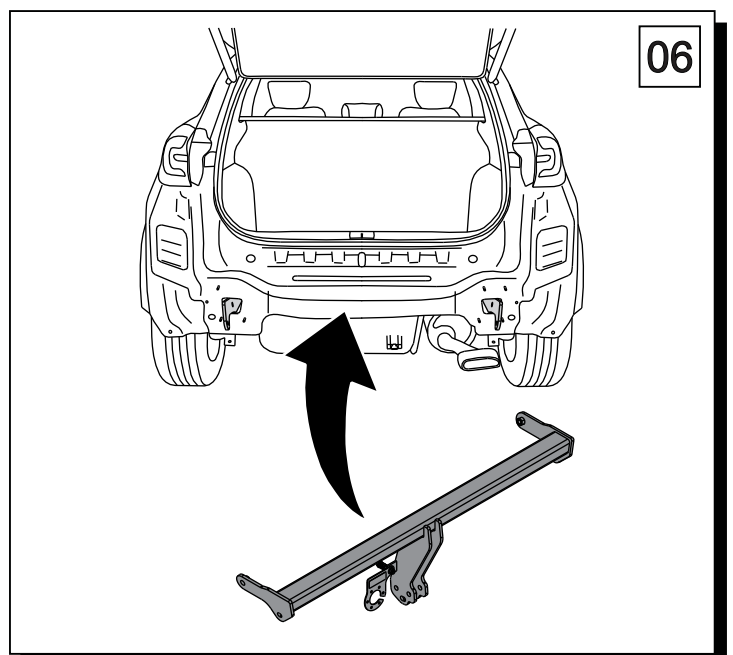
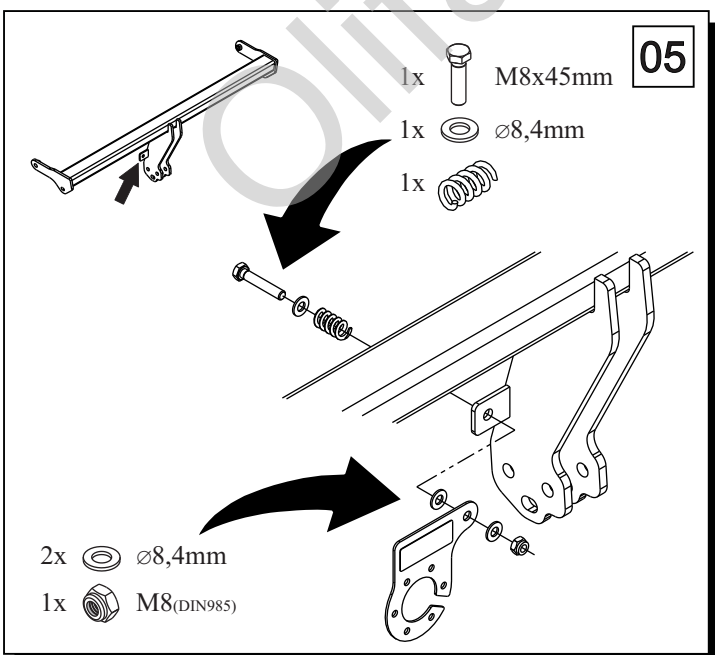
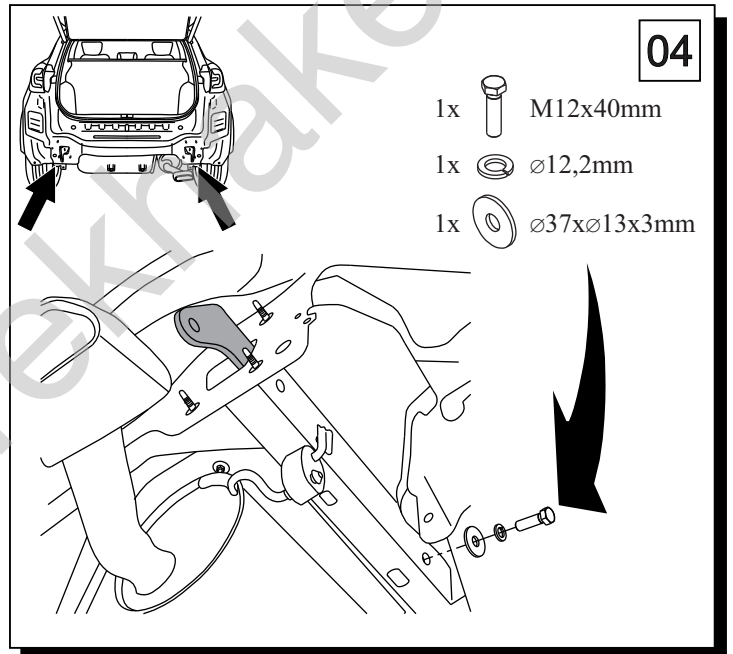
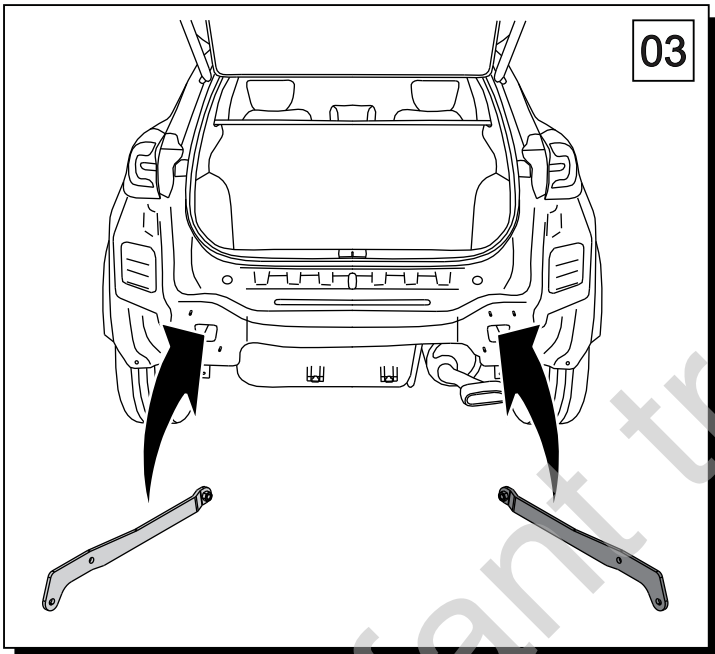
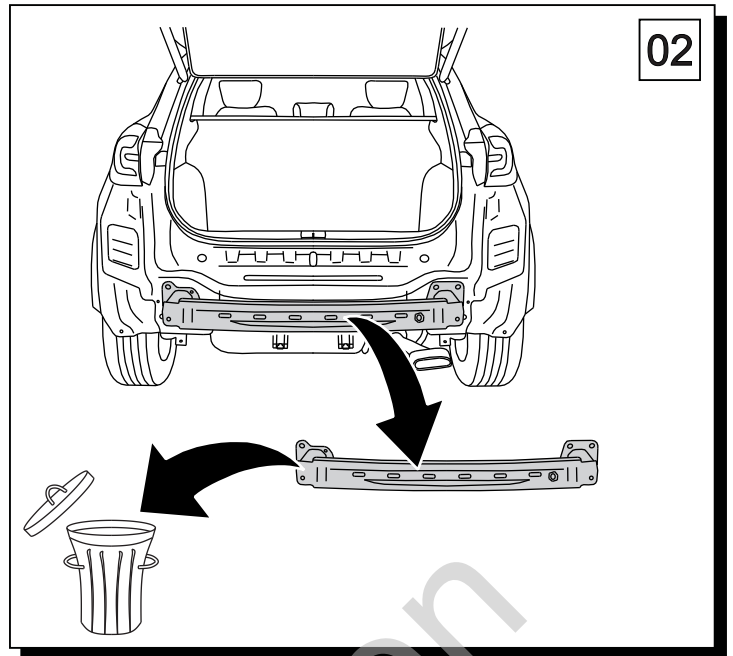
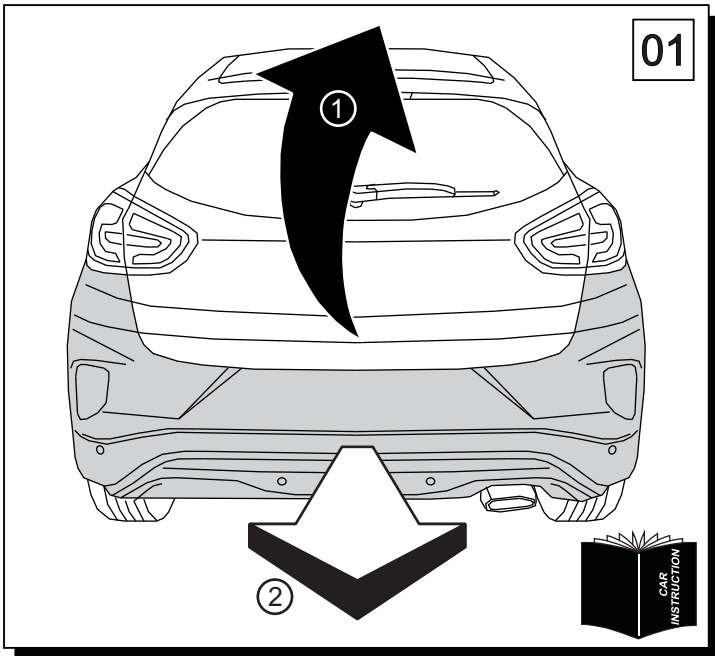


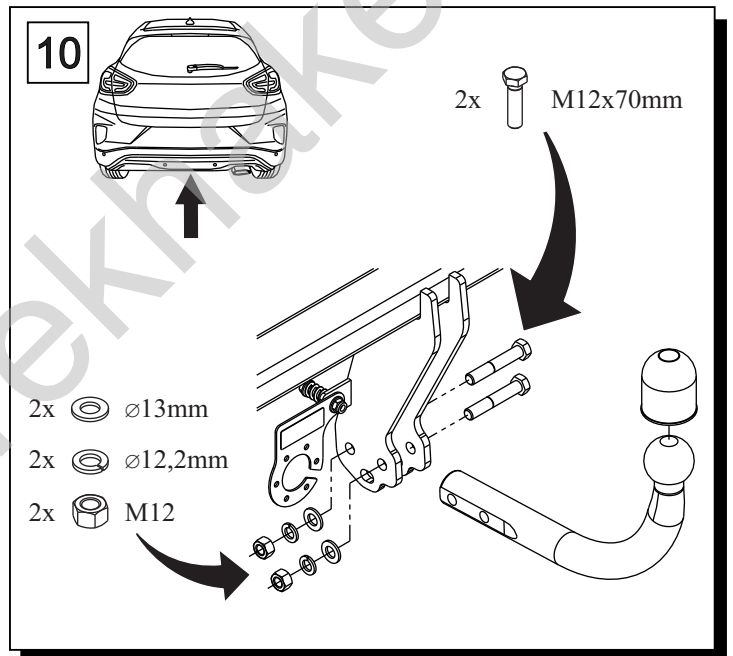
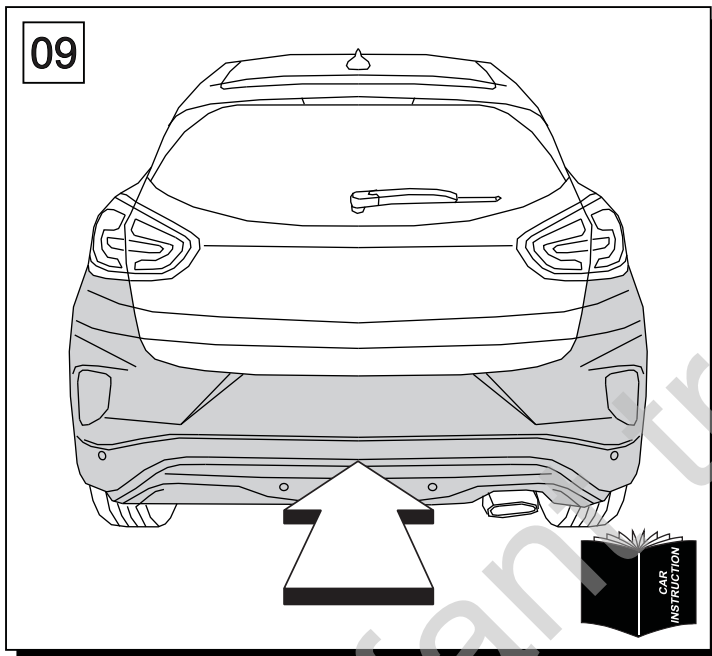
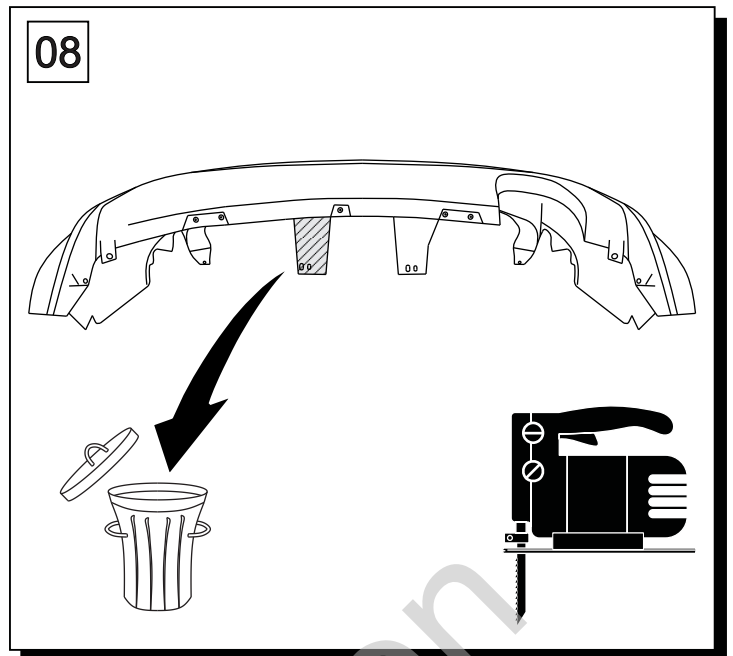
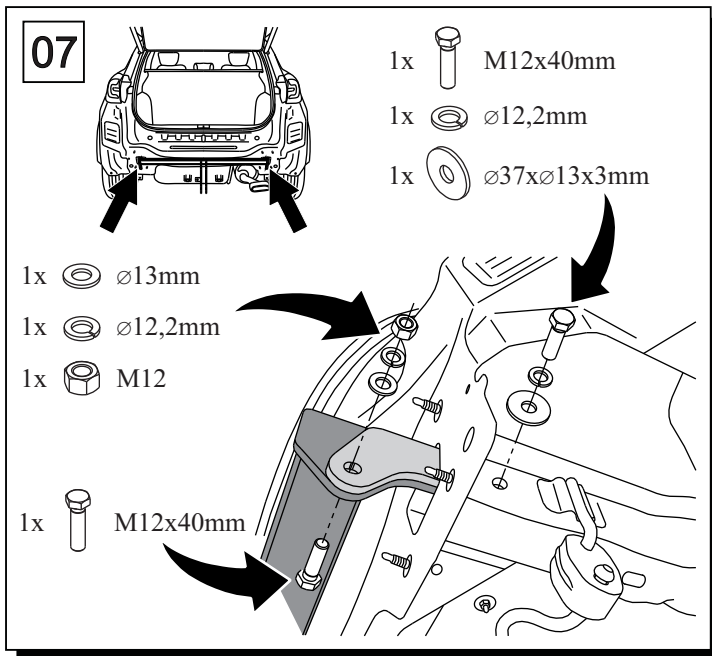

śruba	Nm	M6	M8	M10	M12	M14	M16
klasa 8.8		9,9	24	48	83	132	200
klasa 10.9		14	34	67	117	185	285

 0 km →  1000 km





1		x 1		7 M 12x70	x 2
				8 M 12x40	x 6
				9 M 8x45	x 1
				10 \varnothing 13	x 4
				11 \varnothing 37x \varnothing 13x3 13 DIN 9021	x 4
2		x 1		12 \varnothing 8.4	x 3
	Art.nr-KL1C69			13 \varnothing 12.2	x 8
3		x 1		14 M 12	x 4
4		x 1		15 M 8 (DIN985)	x 1
5		x 1	16		
	Art.nr-BL12C69				
6		x 1			



M6	-	11 Nm	M8	-	25 Nm
M10	-	50 Nm	M12	-	87 Nm
M14	-	138 Nm	M16	-	210 Nm

 **0 km** →  **1000 km**