

AUTO-HAK Sp. z o.o.

ul. Słoneczna 16K 76-200 SŁUPSK
POLAND

tel/fax +48 59 8 414 414; +48 59 8 414 413

e-mail: office@autohak.com.pl

www.autohak.com.pl




AUTO-HAK

FORD ECOSPORT II


Cat. no:


C68

 01.2018 →

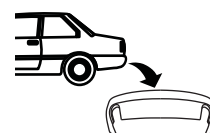
 E20-55R-01 5798

D 7,0 kN

 **R=1100 kg**

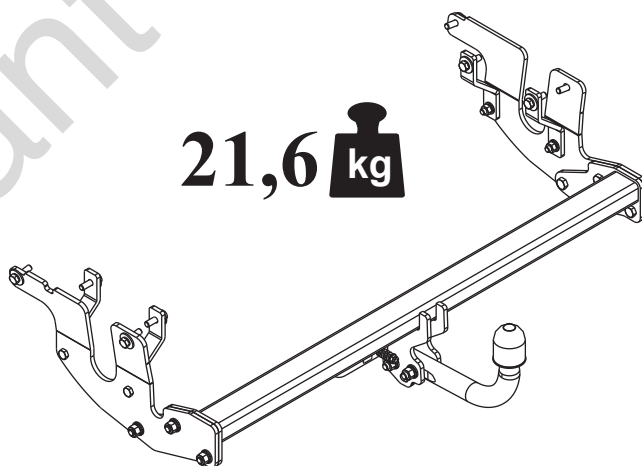
 **S=80 kg**

 **2h**



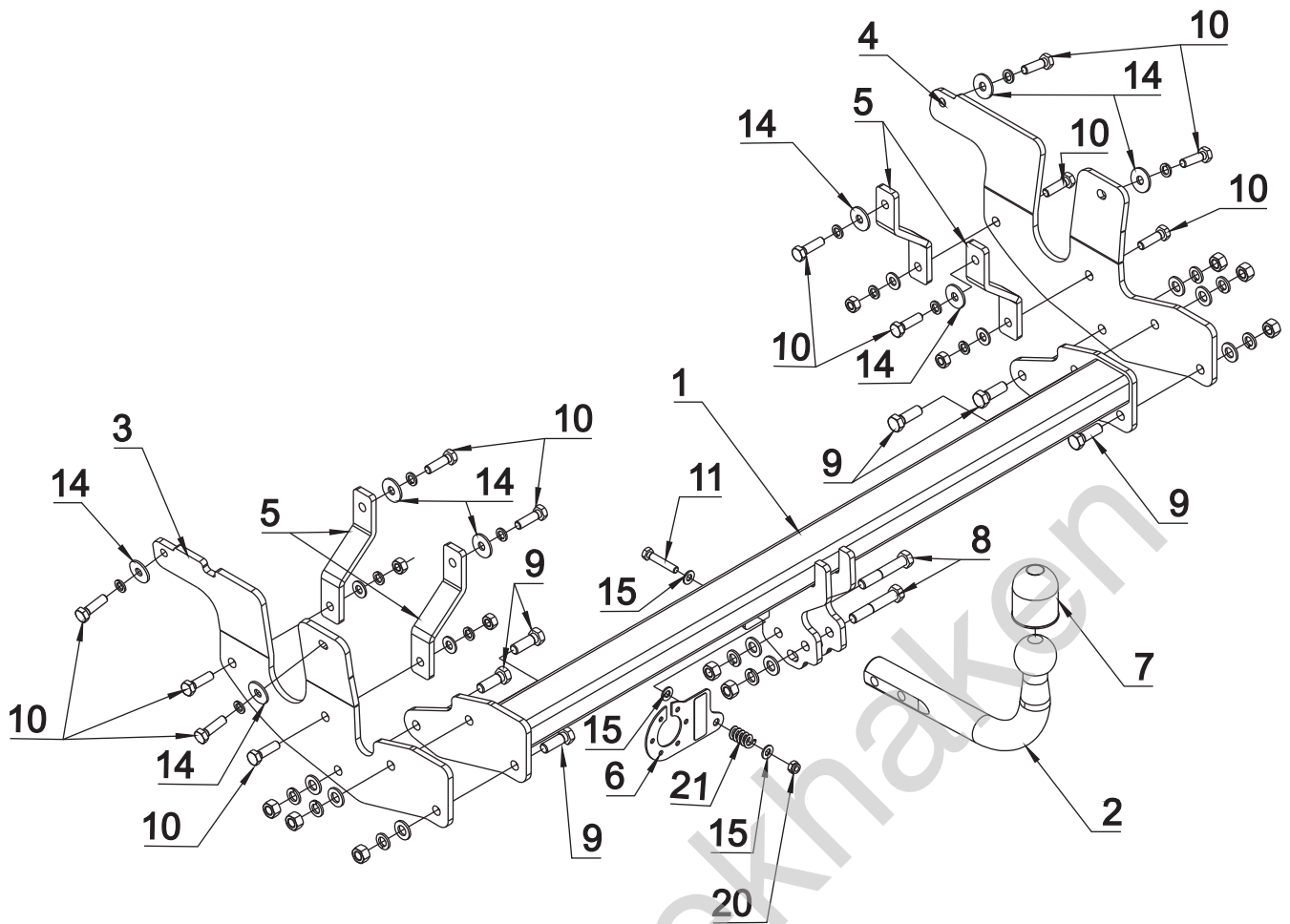


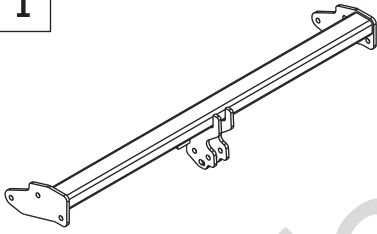


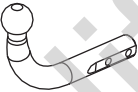

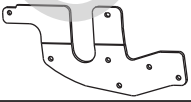

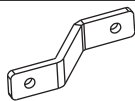

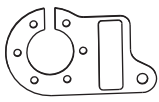


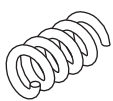
21,6 kg 

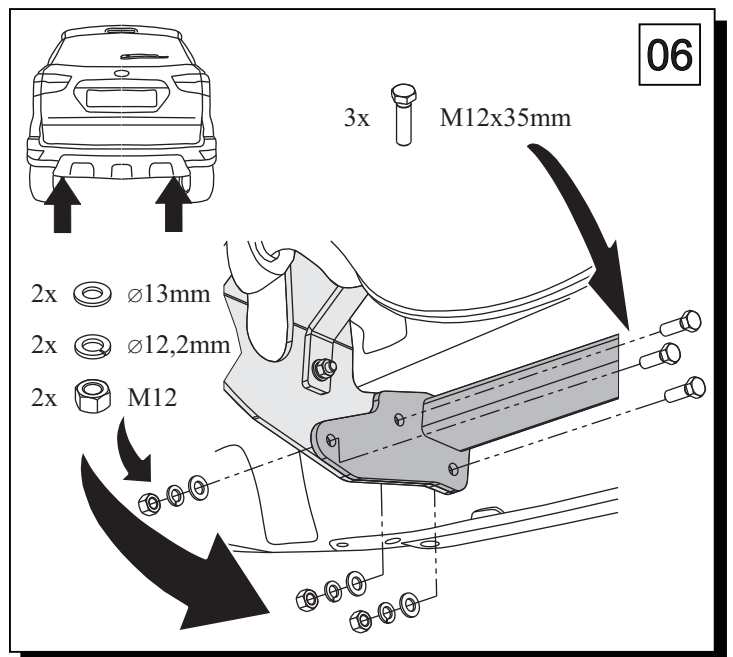
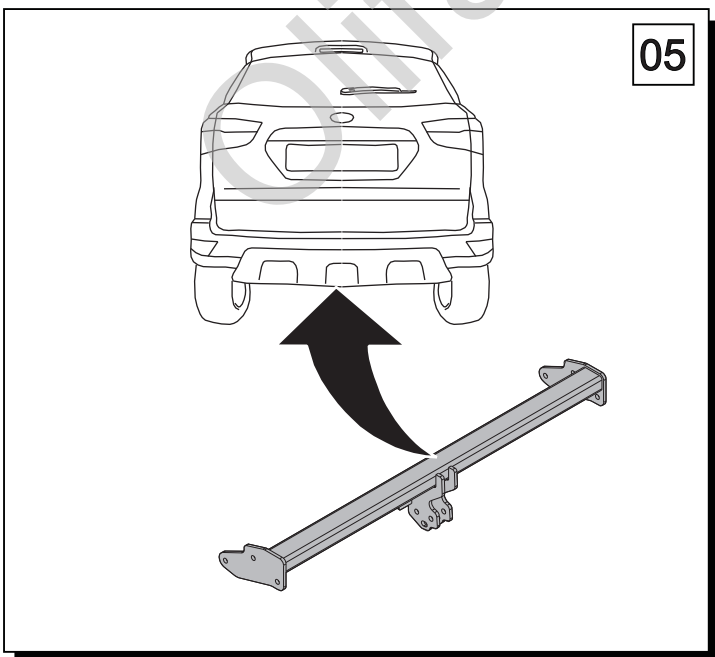
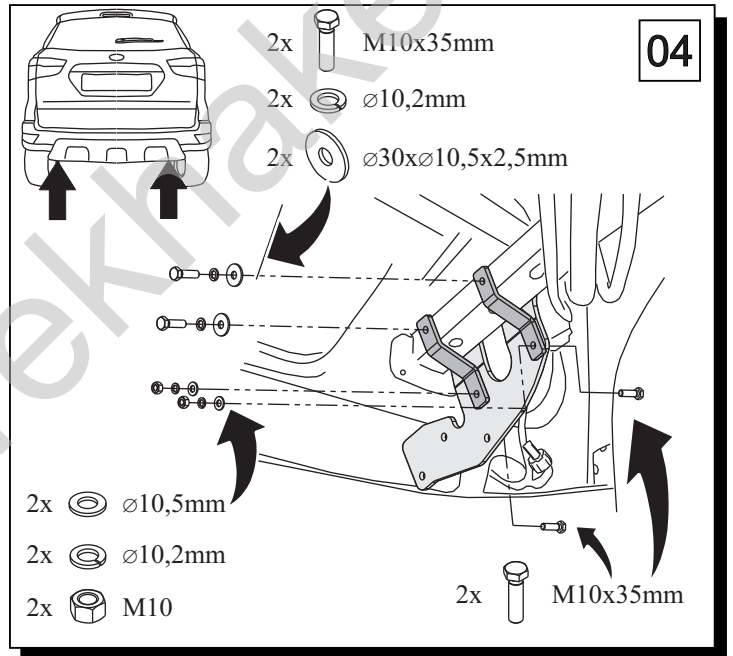
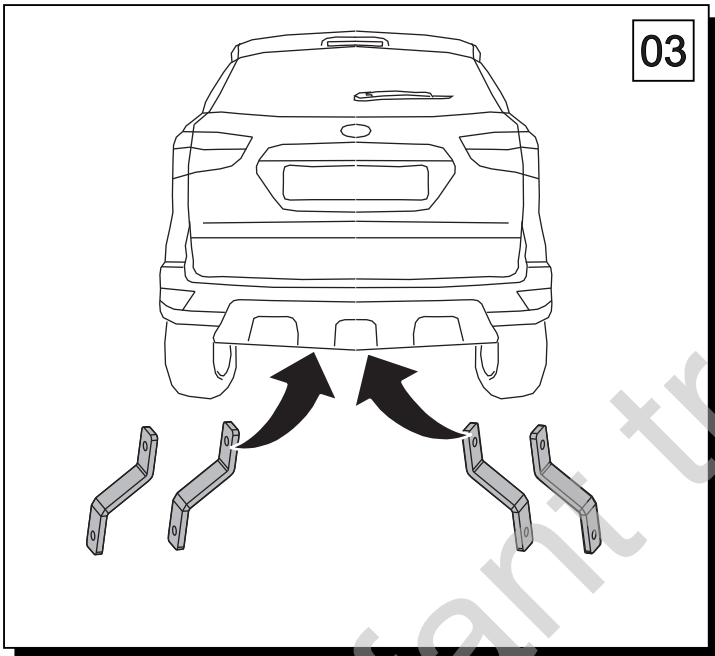
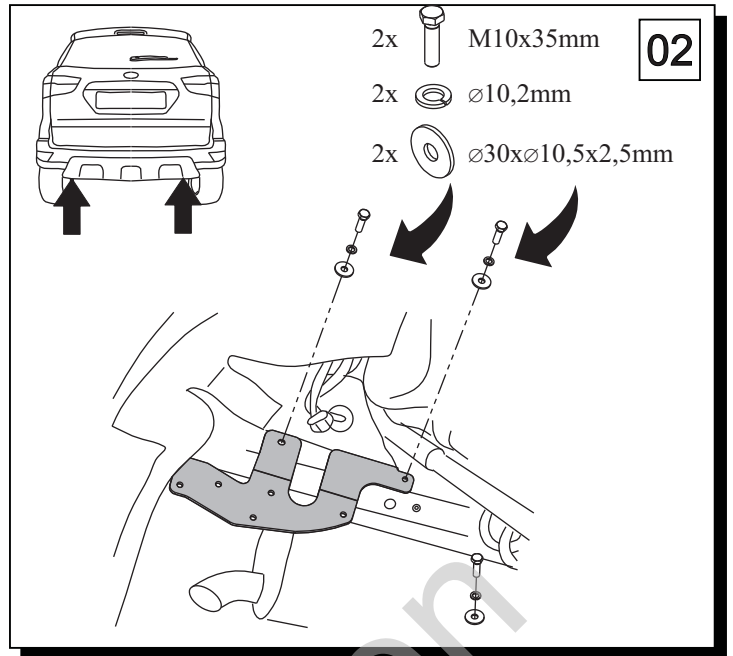
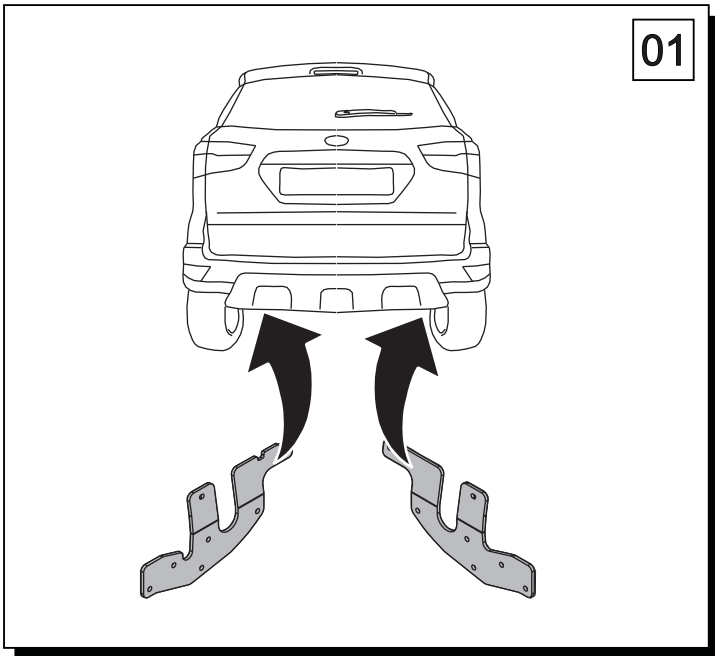


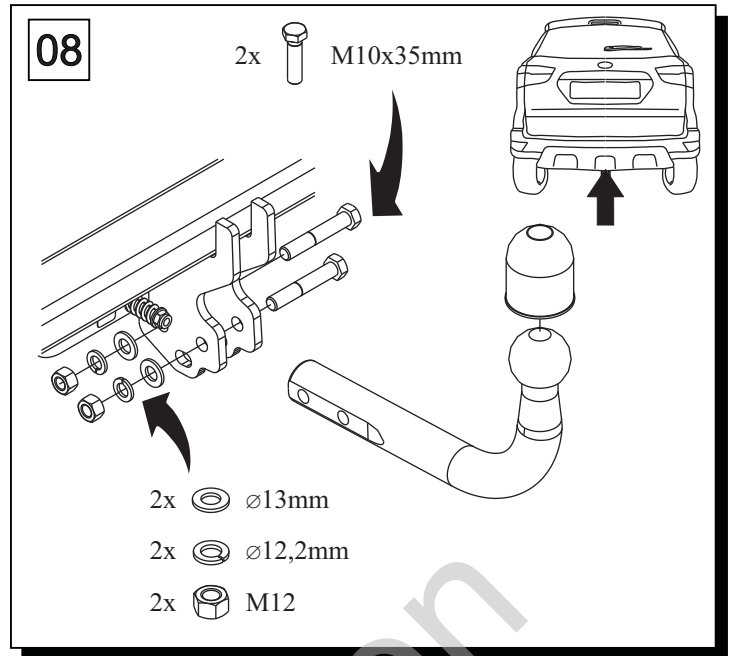
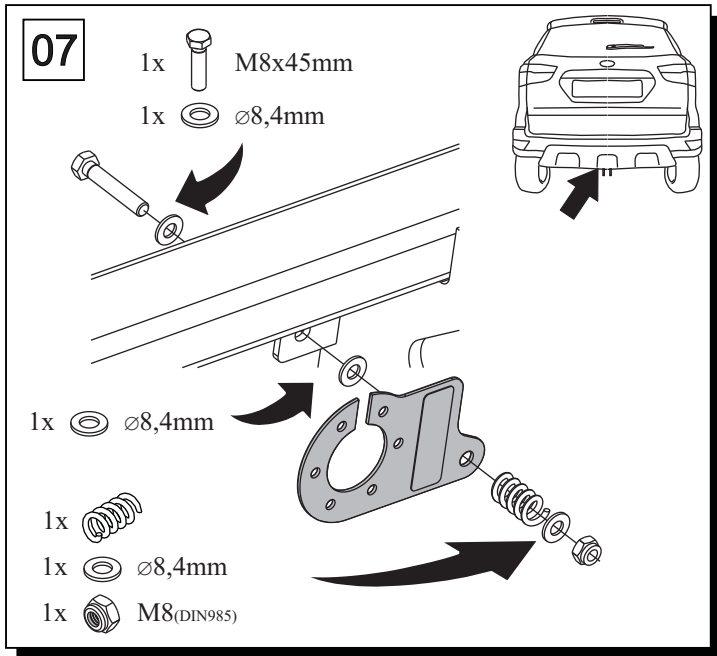
śruba	Nm	M6	M8	M10	M12	M14	M16
klasa 8.8		9,9	24	48	83	132	200
klasa 10.9		14	34	67	117	185	285

 0 km →  1000 km



1		x 1		8	M12x70	x 2
				9	M12x35	x 6
				10	M10x35	x 12
				11	M8x45	x 1
				12	∅ 13	x 8
2		x 1		13	∅ 10.5	x 4
	Art.nr-KL1C68			14	∅ 30x∅10.5x2.5 10 (DIN 9021)	x 8
3		x 1		15	∅ 8.4	x 3
4		x 1		16	∅ 12.2	x 8
				17	∅ 10.2	x 12
5		x 4		18	M12	x 8
				19	M10	x 4
6		x 1		20	M 8 (DIN985)	x 1
	Art.nr-BL1C68					
7		x 1	21			x 1





Olifant trekhaken