

PPUH AUTO-HAK Sp.J.

Henryk i Zbigniew Nejman
ul. Słoneczna 16K 76-200 SŁUPSK
POLAND

tel/fax +48 059 8-414-414; 8-414-413

e-mail: office@autohak.com.pl

www.autohak.com.pl



AUTO-HAK

FORD MONDEO
(Mk5) 5D, ~~ST-LINE~~

FORD MONDEO Turnier
(Mk5) KOMBI, ~~ST-LINE~~

Nr kat.

C65A



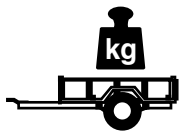
10.2014 →



E20-55R-01 4858



11,9 kN



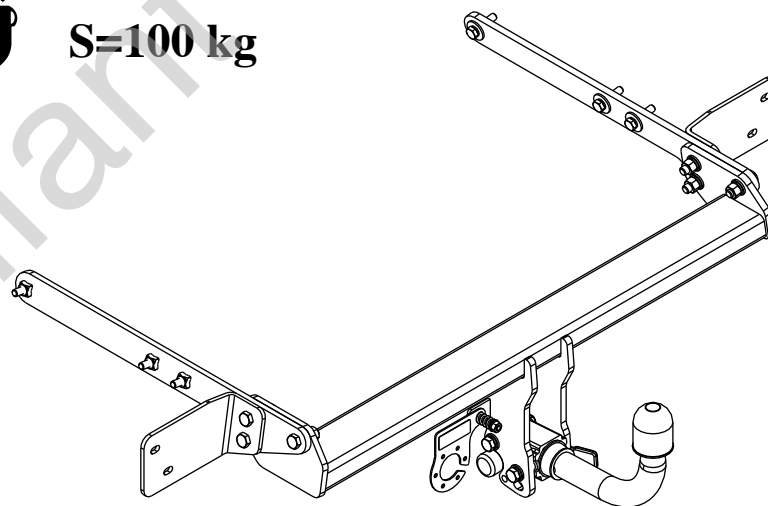
R=2532 kg



S=100 kg



2h



M6 - 8,5 Nm
M10 - 41 Nm
M14 - 112 Nm

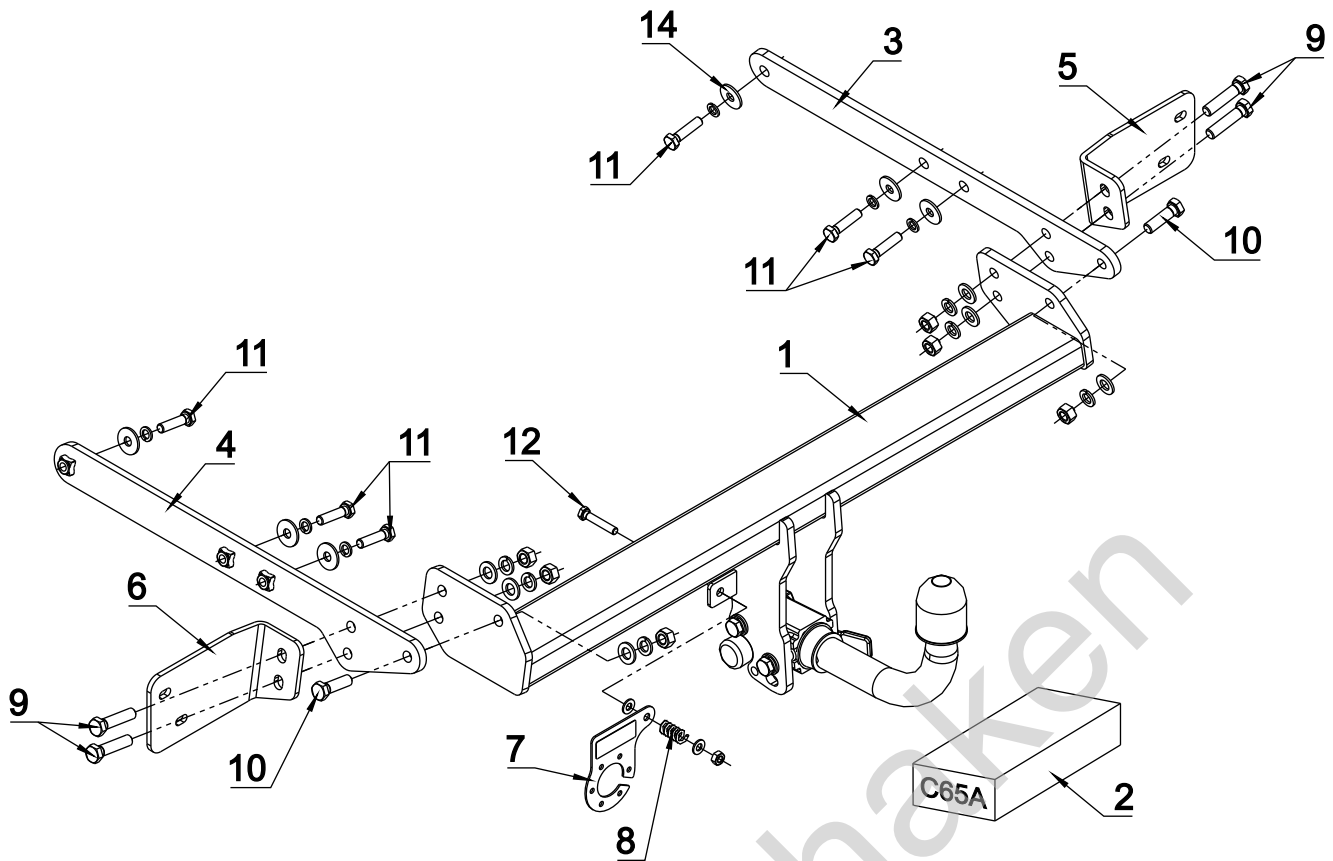
M8 - 20 Nm
M12 - 70 Nm
M16 - 170 Nm

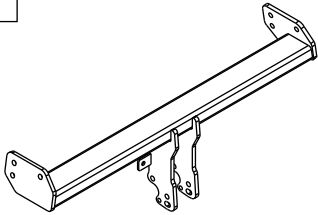

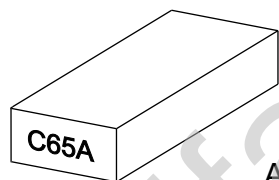

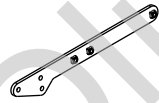

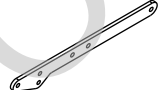
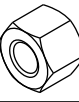
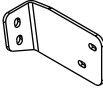

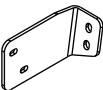
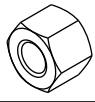
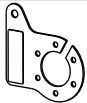
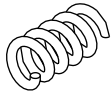


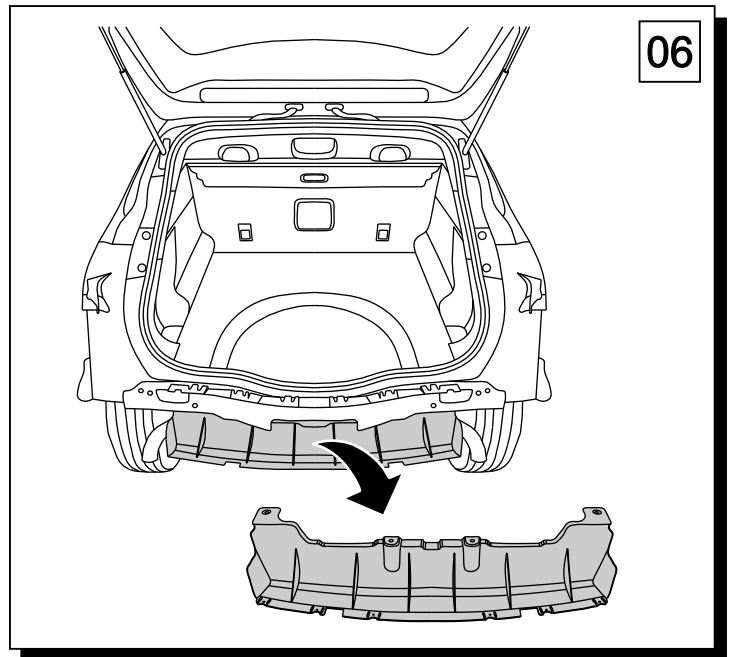
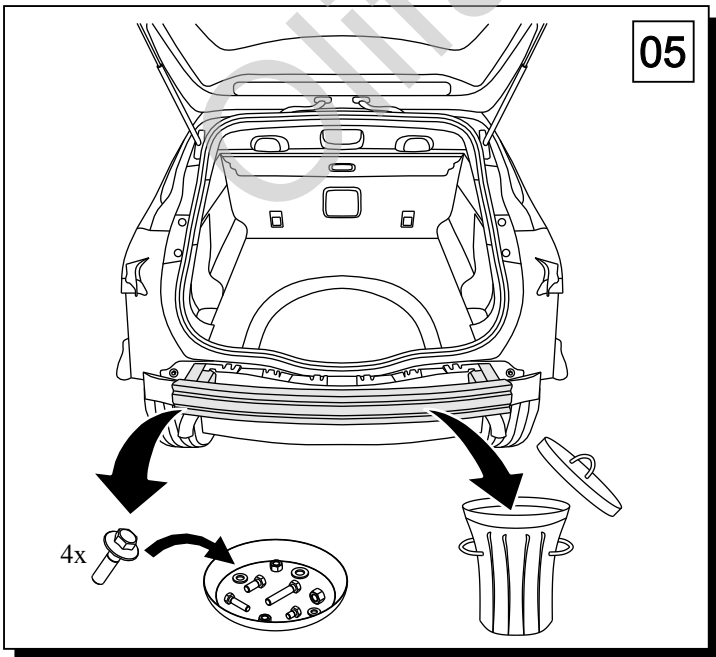
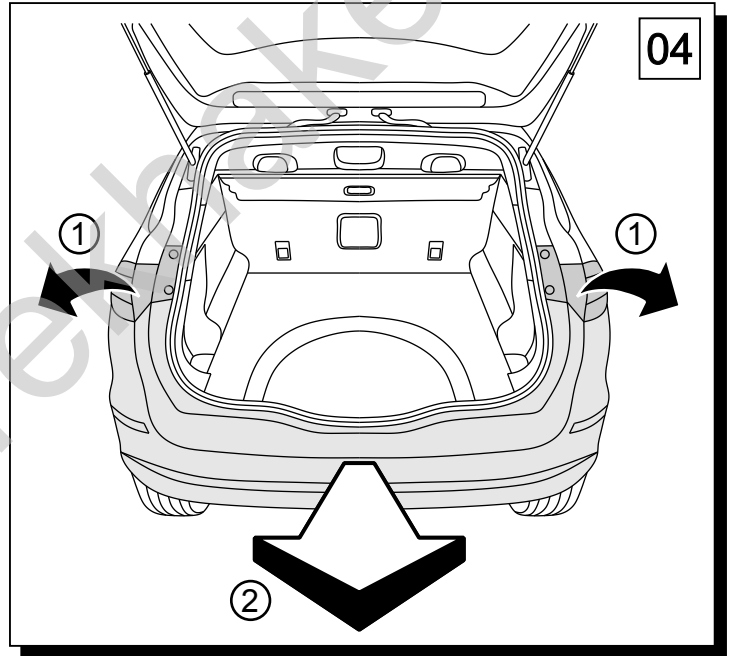
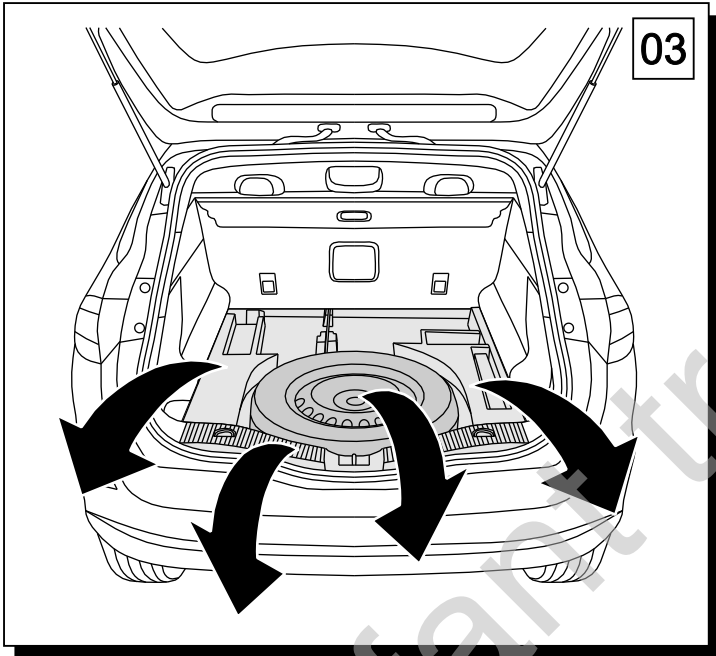
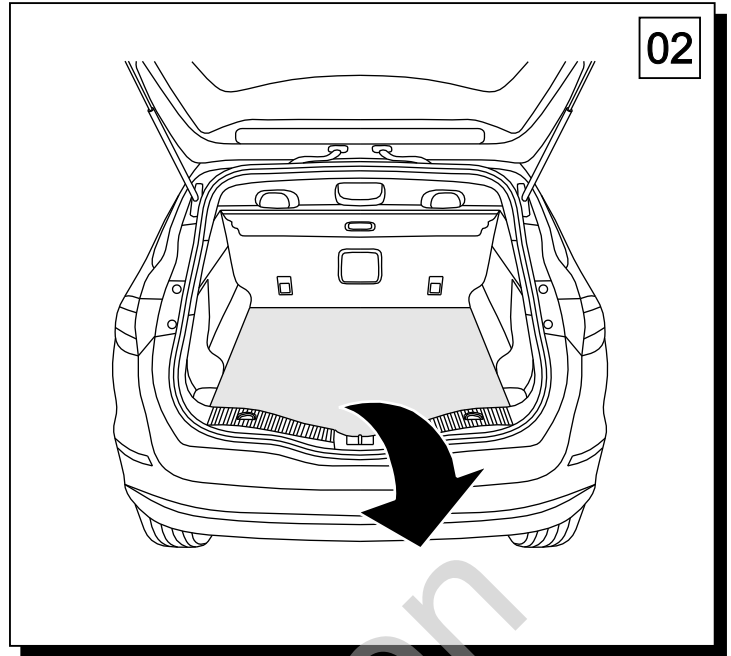
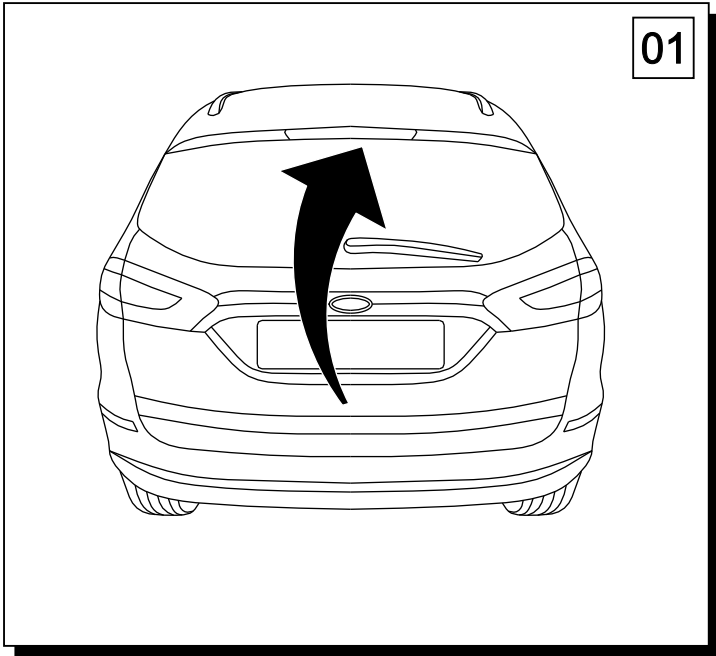
0 km →

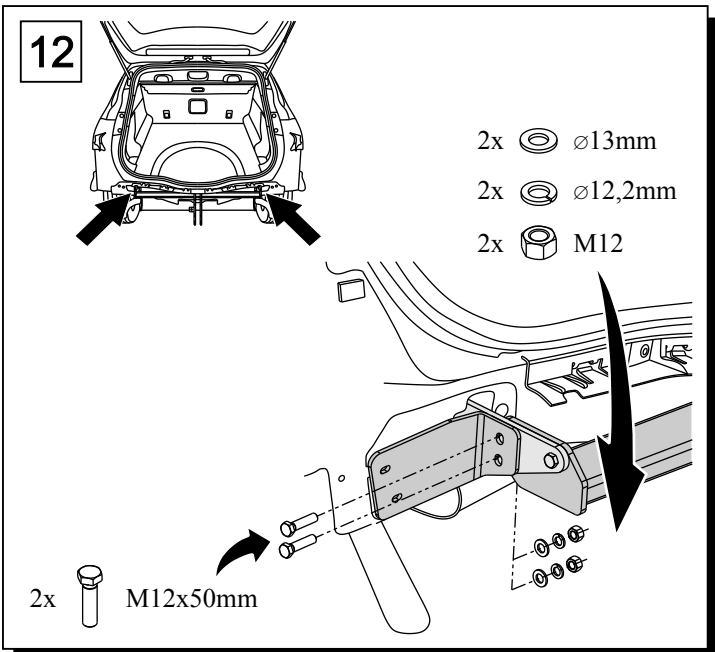
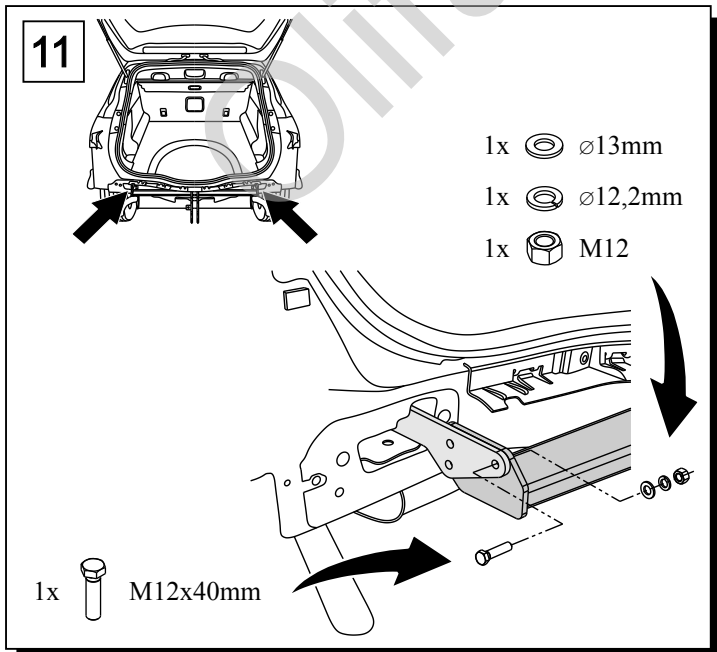
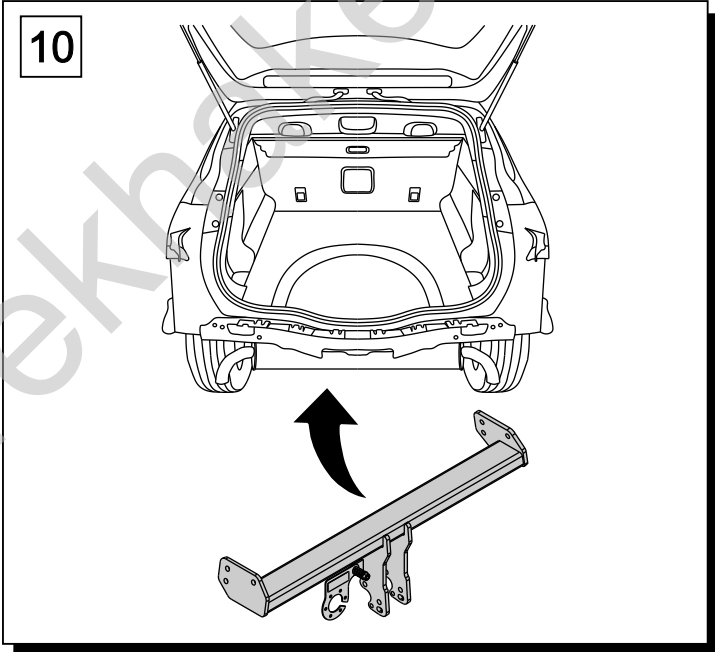
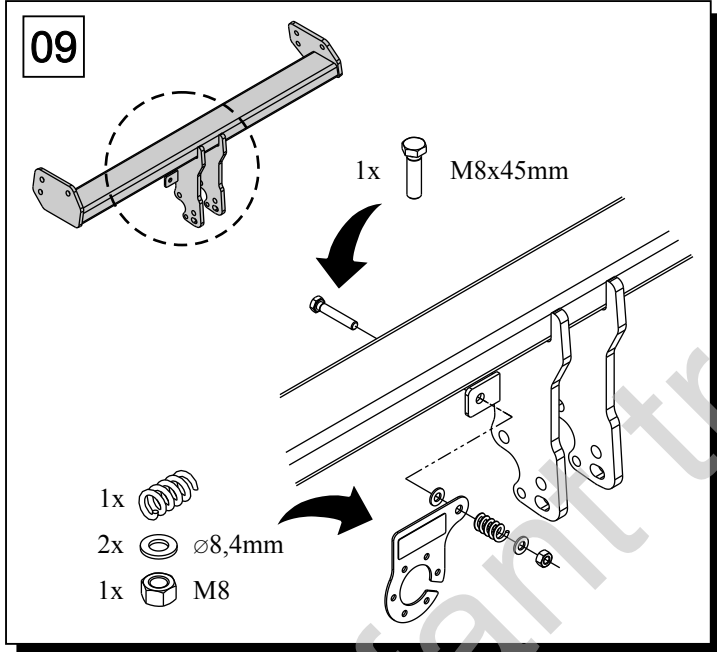
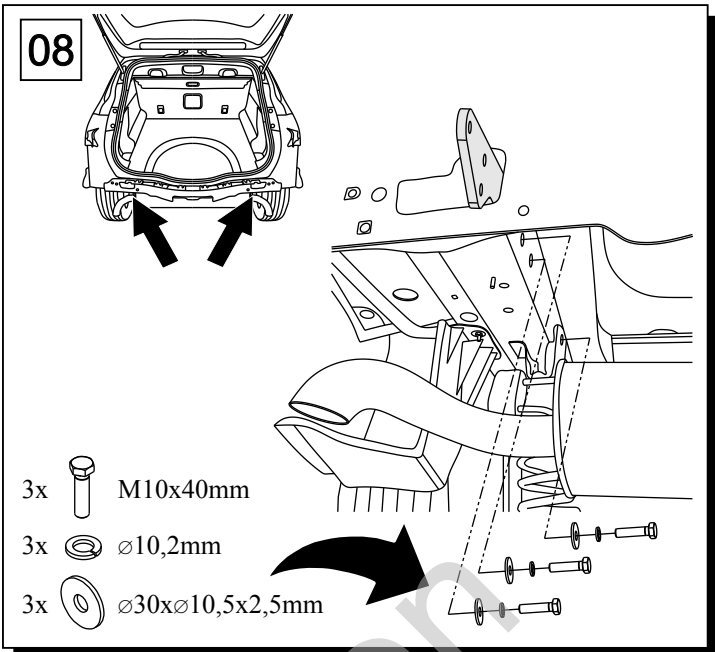
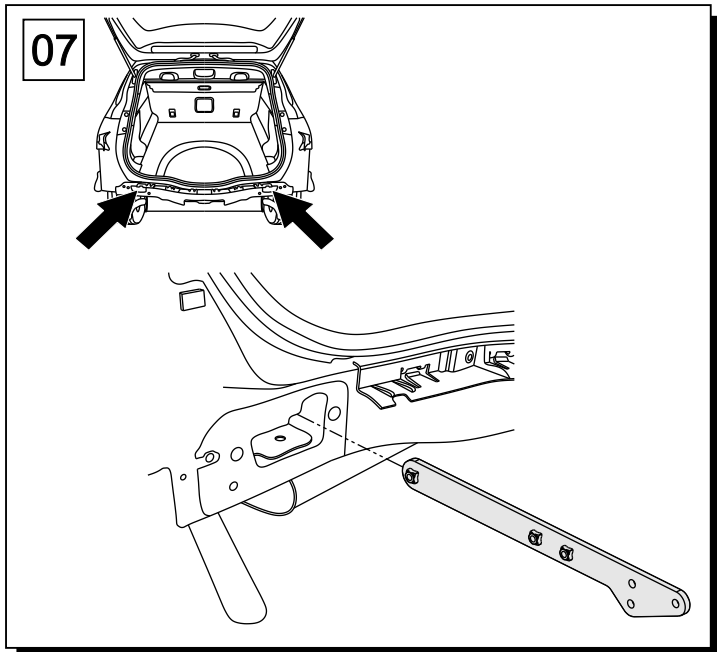


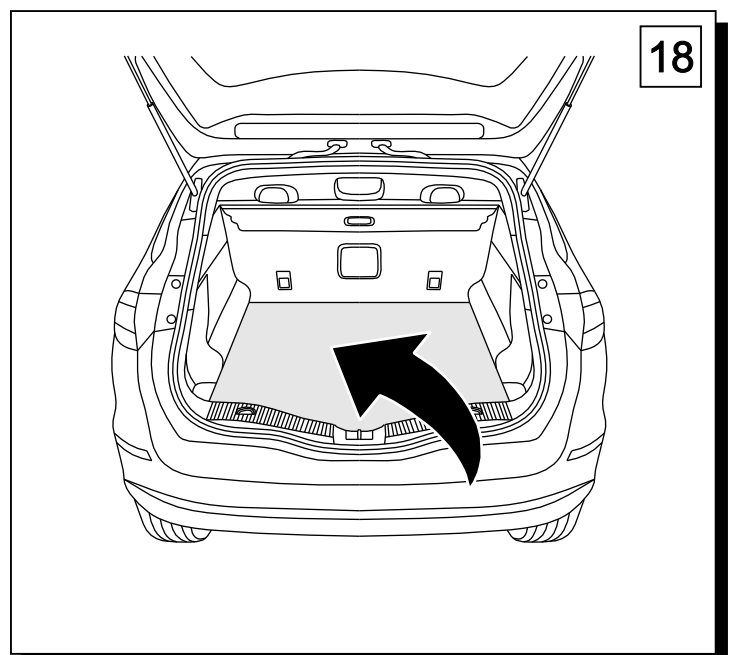
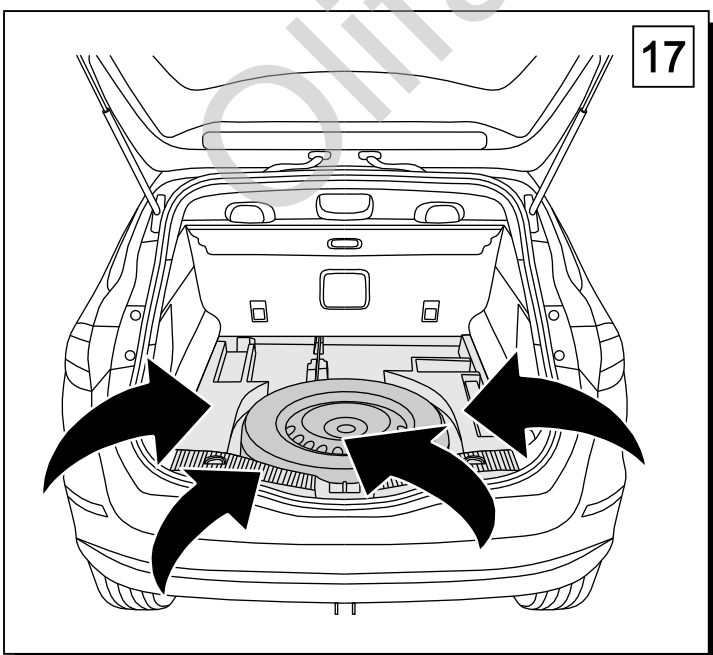
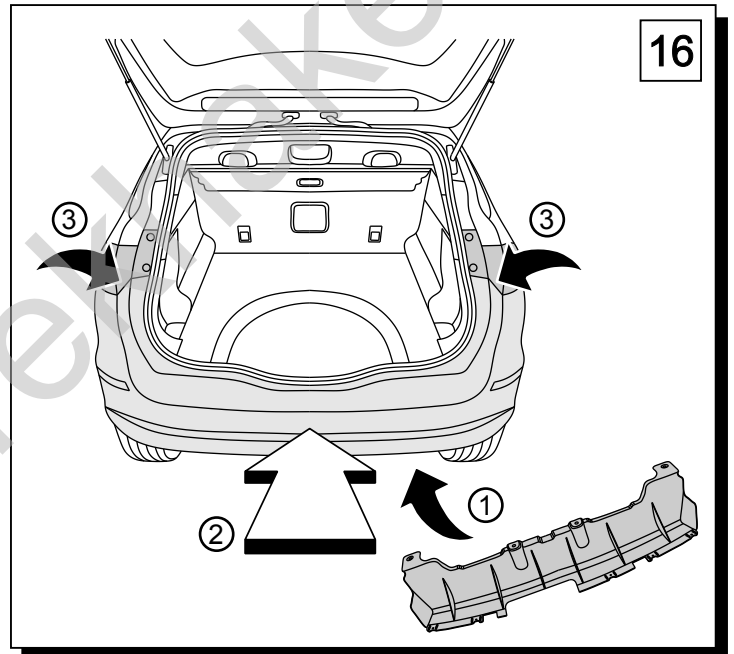
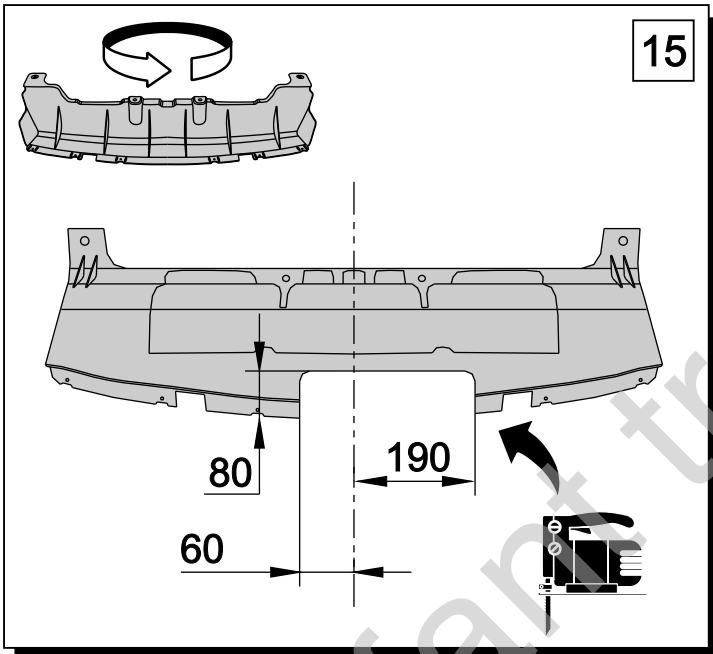
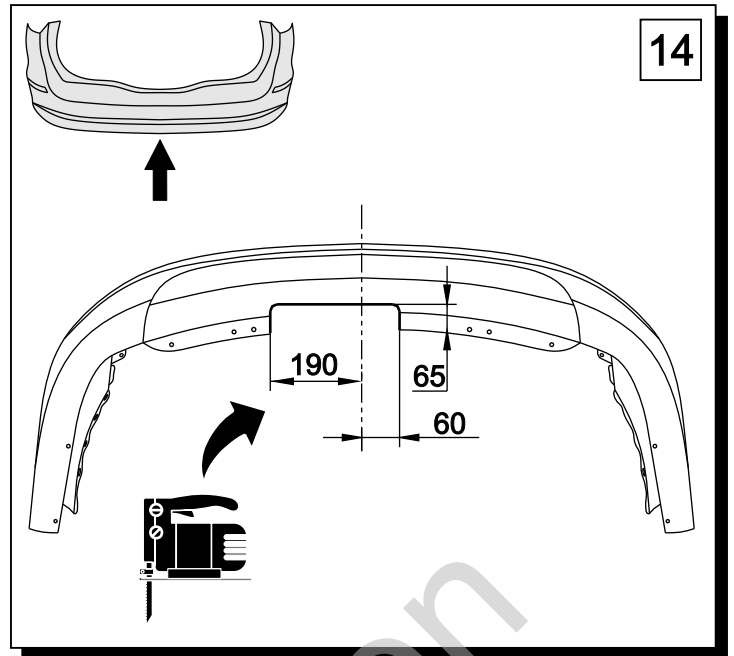
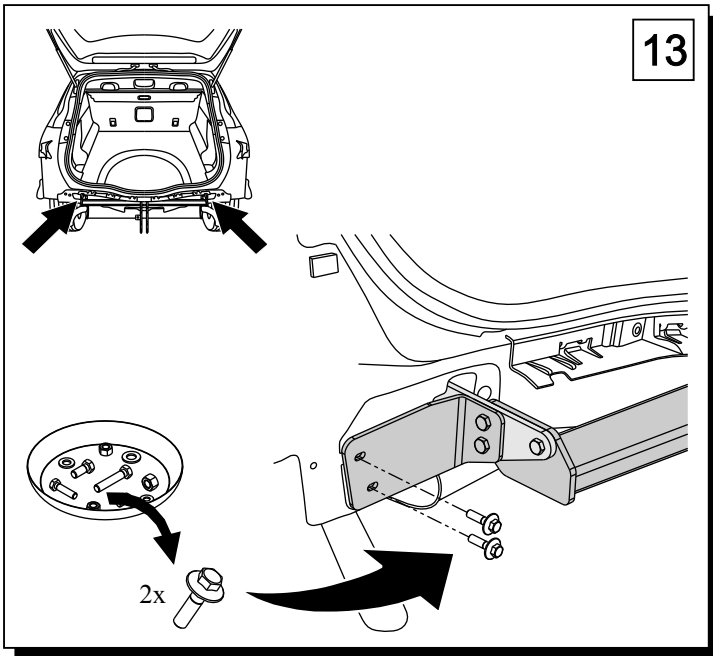
1000 km



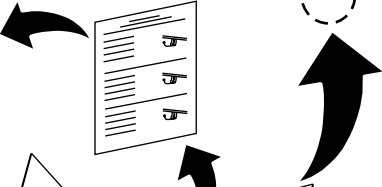
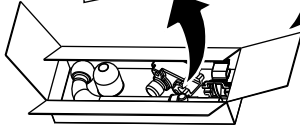
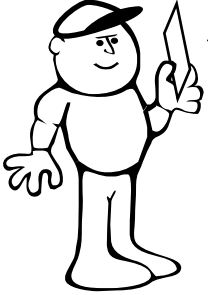
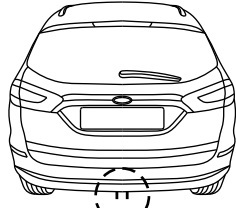
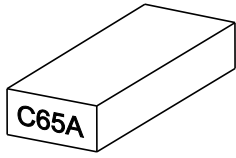
1		x 1		9 M 12x50	x 4
2	 Art.nr-KL1C65A	x 1		10 M 12x40	x 2
				11 M 10x40	x 6
				12 M 8x45	x 1
3		x 1		13 \varnothing 13	x 6
				14 \varnothing 30x \varnothing 10.5x2.5 10 (DIN 9021)	x 6
4		x 1		15 \varnothing 8.5	x 2
				16 \varnothing 12.2	x 6
5		x 1		17 \varnothing 10.2	x 6
				18 M 12	x 6
6		x 1		19 M 8	x 1
7		x 1			
	Art.nr-BL1C65A				
8		x 1			







19



Olifant trekhaken