

**AUTO-HAK Sp. z o.o.**

ul. Słoneczna 16K 76-200 SŁUPSK  
POLAND

tel/fax +48 59 8 414 414; +48 59 8 414 413

e-mail: [office@autohak.com.pl](mailto:office@autohak.com.pl)

[www.autohak.com.pl](http://www.autohak.com.pl)



**AUTO-HAK**

**FORD TRANSIT/TOURNEO CONNECT  
DOSTAWCZY, VAN**

Nr kat.

**C64A**



01.2014 → 04.2018

05.2018 →



E20-55R-01 3956

**D**

7,85 kN



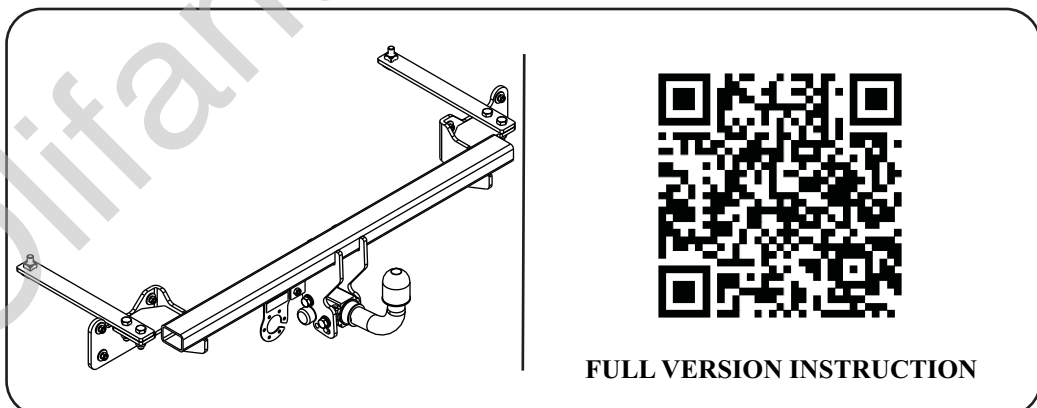
R=1200 kg



S=75 kg



**2h**



FULL VERSION INSTRUCTION



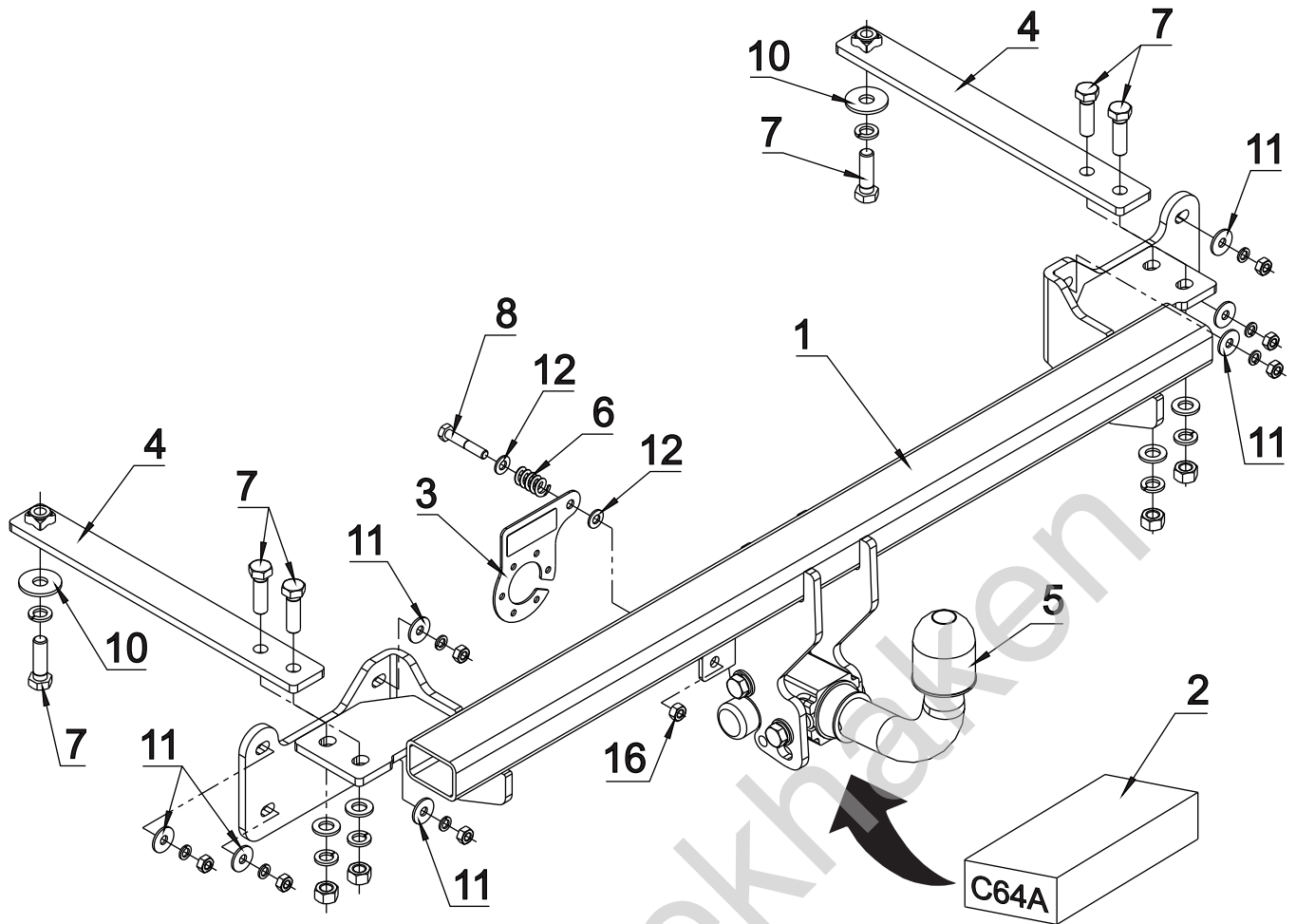
śruba	Nm	M6	M8	M10	M12	M14	M16
klasa 8.8		9,9	24	48	83	132	200
klasa 10.9		14	34	67	117	185	285

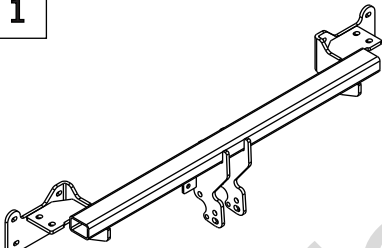


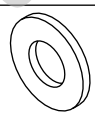
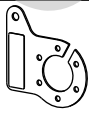

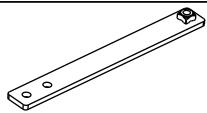

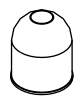
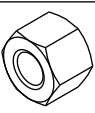
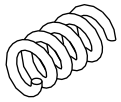



0 km →



1000 km



1		x1		7	M12x40	x6
				8	M8x45	x1
2		x1		9	∅ 13	x4
				10	∅ 37x∅13x3 13 (DIN 9021)	x2
3		x1		11	∅ 24x∅8.4x2 8 (DIN 9021)	x8
				12	∅ 8	x2
4		x2		13	∅ 12.2	x6
				14	∅ 8.2	x8
5		x1		15	M12	x4
6		x1		16	M8	x9

