

PPUH AUTO-HAK Sp.J.

Henryk i Zbigniew Nejman
ul. Słoneczna 16K 76-200 SŁUPSK
POLAND

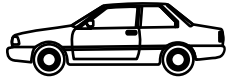
tel/fax +48 59 8 414 414; +48 59 8 414 413

e-mail: office@autohak.com.pl

www.autohak.com.pl



AUTO-HAK



FORD

TRANSIT/TOURNEO COURIER

AdBlue, DOSTAWCZY, VAN

Cat. no:

C63A



02.2014 → 11.2023



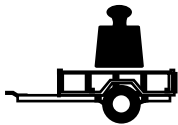
E20-55R-01 3952



2h

D

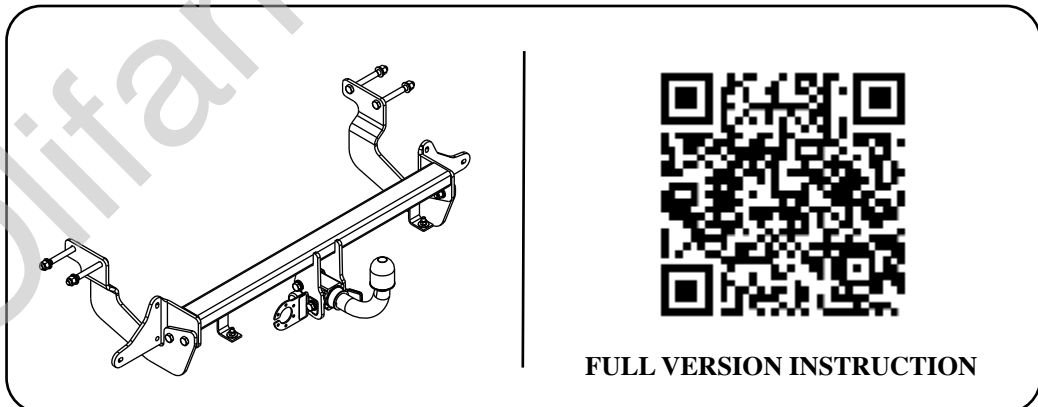
5,89 kN



R=910 kg



S=50 kg



FULL VERSION INSTRUCTION



M6 - 11 Nm
M10 - 50 Nm
M14 - 138 Nm

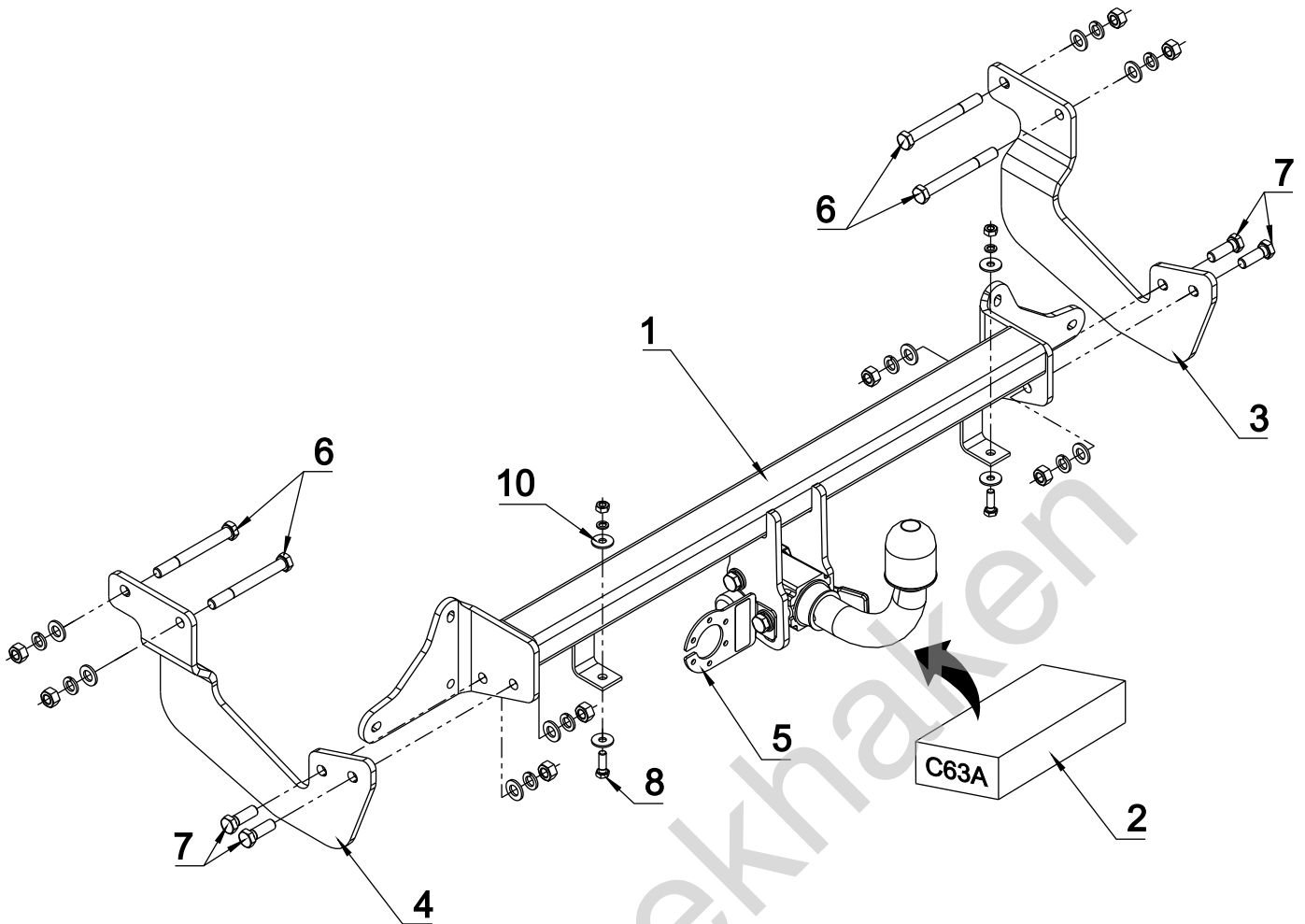
M8 - 25 Nm
M12 - 87 Nm
M16 - 210 Nm

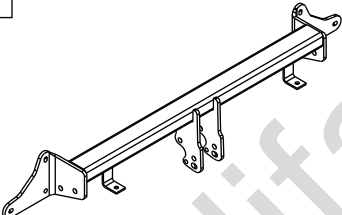

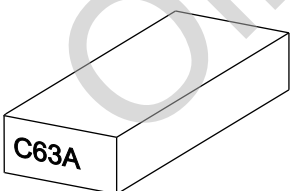

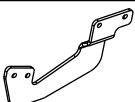
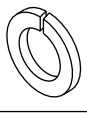
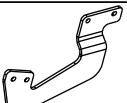
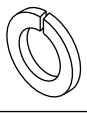
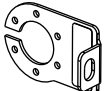
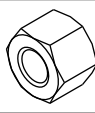


0 km →



1000 km



1		x 1		6	M 12x110	x 4
				7	M 12x35	x 6
2		x 1		8	M 8x25	x 2
				9	∅ 13	x 10
3		x 1		10	∅ 24x∅8.4x2 8 DIN 9021	4
				11	∅ 12.2	x 10
4		x 1		12	∅ 8.2	x 2
				13	M 12	x 10
5		x 1		14	M 8	x 2
				Art.nr-KL1C63A		
		Art.nr-BL1C63A				

