

# PPUH AUTO-HAK Sp.J.

Henryk i Zbigniew Nejman  
ul. Słoneczna 16K 76-200 SŁUPSK  
POLAND

tel/fax +48 59 8 414 414; +48 59 8 414 413

e-mail: [office@autohak.com.pl](mailto:office@autohak.com.pl)

[www.autohak.com.pl](http://www.autohak.com.pl)



# AUTO-HAK



**FORD B-MAX**

**5D, VAN**

Cat. no:

**C62A**



**09.2012** →



**E20-55R-01 3902**

**D**

**6,8 kN**



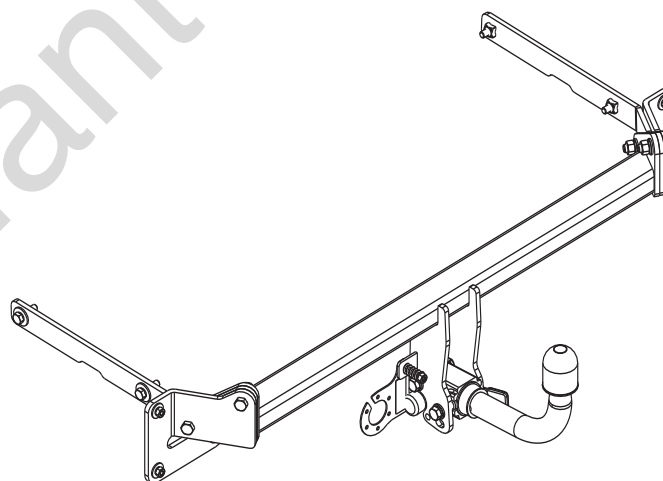
**1,5h**



**R=900 kg**



**S=50 kg**



**M6 - 11 Nm**  
**M10 - 50 Nm**  
**M14 - 138 Nm**

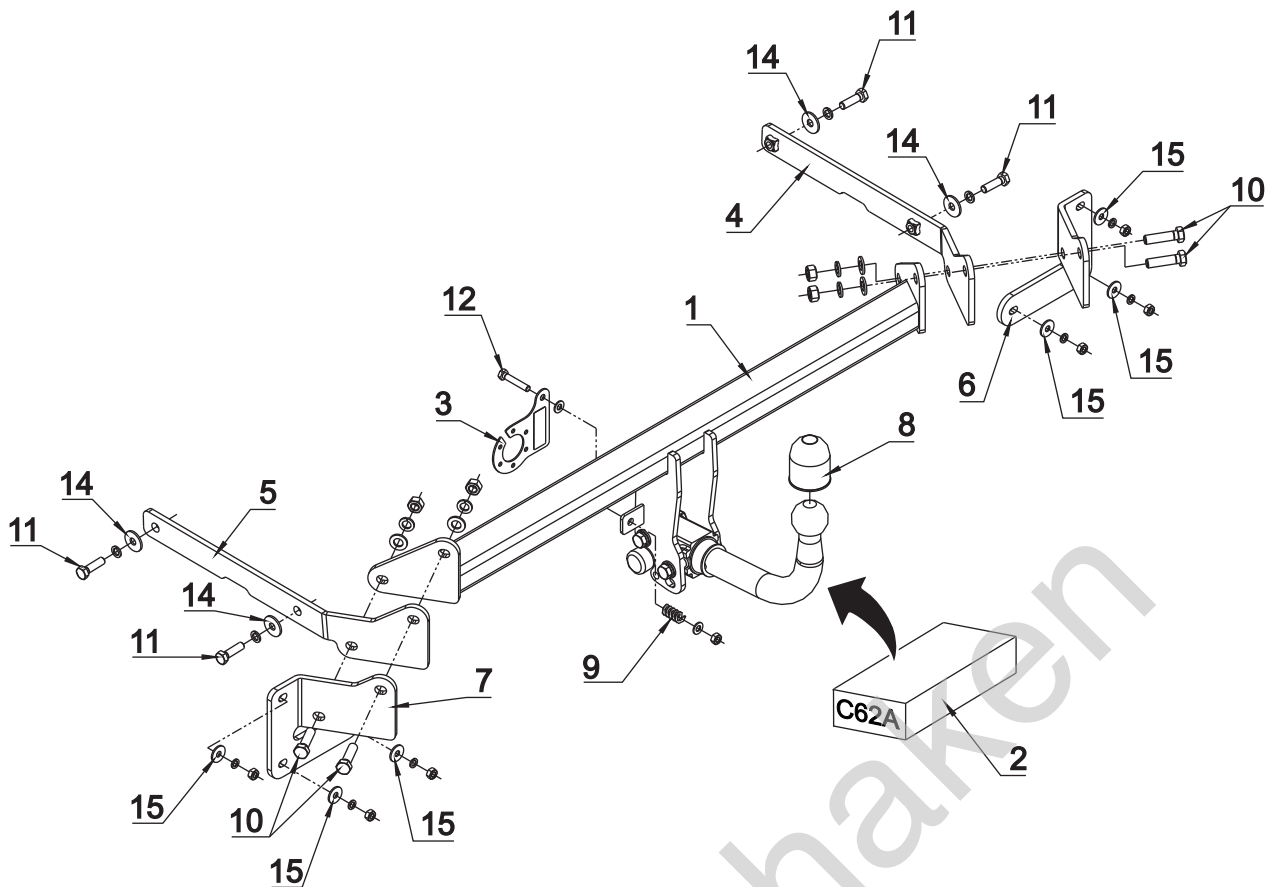
**M8 - 25 Nm**  
**M12 - 87 Nm**  
**M16 - 210 Nm**

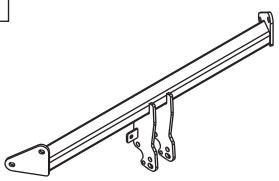





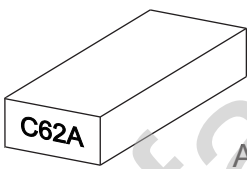





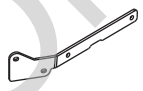

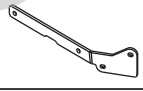








**0 km** →



**1000 km**



1		x 1		10 M12x45	x 4
				11 M10x35	x 4
				12 M8x45	x 1
				13 $\varnothing$ 13	x 4
				14 $\varnothing$ 30x $\varnothing$ 10.5x2.5 10 (DIN 9021)	x 4
2	 Art.nr-KL1C62A	x 1		15 $\varnothing$ 24x $\varnothing$ 8.5x2 8 (DIN 9021)	x 6
				16 $\varnothing$ 8.4	x 2
3	 Art.nr-BL1C62A	x 1		17 $\varnothing$ 12.2	x 4
				18 $\varnothing$ 10.2	x 4
4		x 1		19 $\varnothing$ 8.2	x 6
5		x 1		20 M12	x 4
				21 M8	x 7
6		x 1			
7		x 1			
8		x 1			
9		x 1			

