

PPUH AUTO-HAK Sp.J.

Henryk i Zbigniew Nejman
ul. Słoneczna 16K 76-200 SŁUPSK
POLAND

tel/fax +48 59 8 414 414; +48 59 8 414 413

e-mail: office@autohak.com.pl

www.autohak.com.pl



AUTO-HAK



FORD B-MAX

5D, VAN

Cat. no:

C62



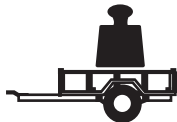
09.2012 →



E20-55R-01 3901



6,8 kN



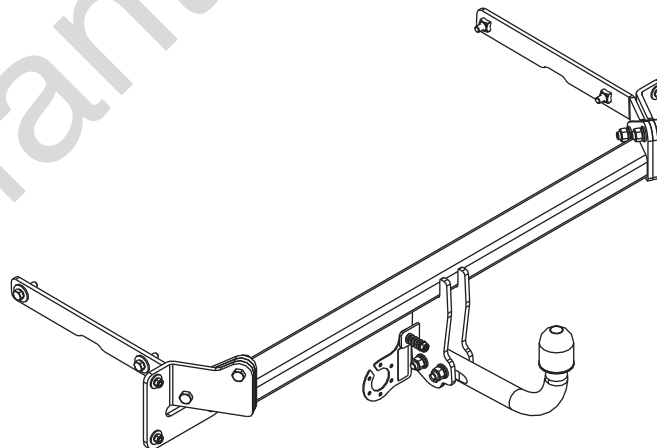
R=900 kg



S=50 kg



1,5h



M6 - 11 Nm
M10 - 50 Nm
M14 - 138 Nm

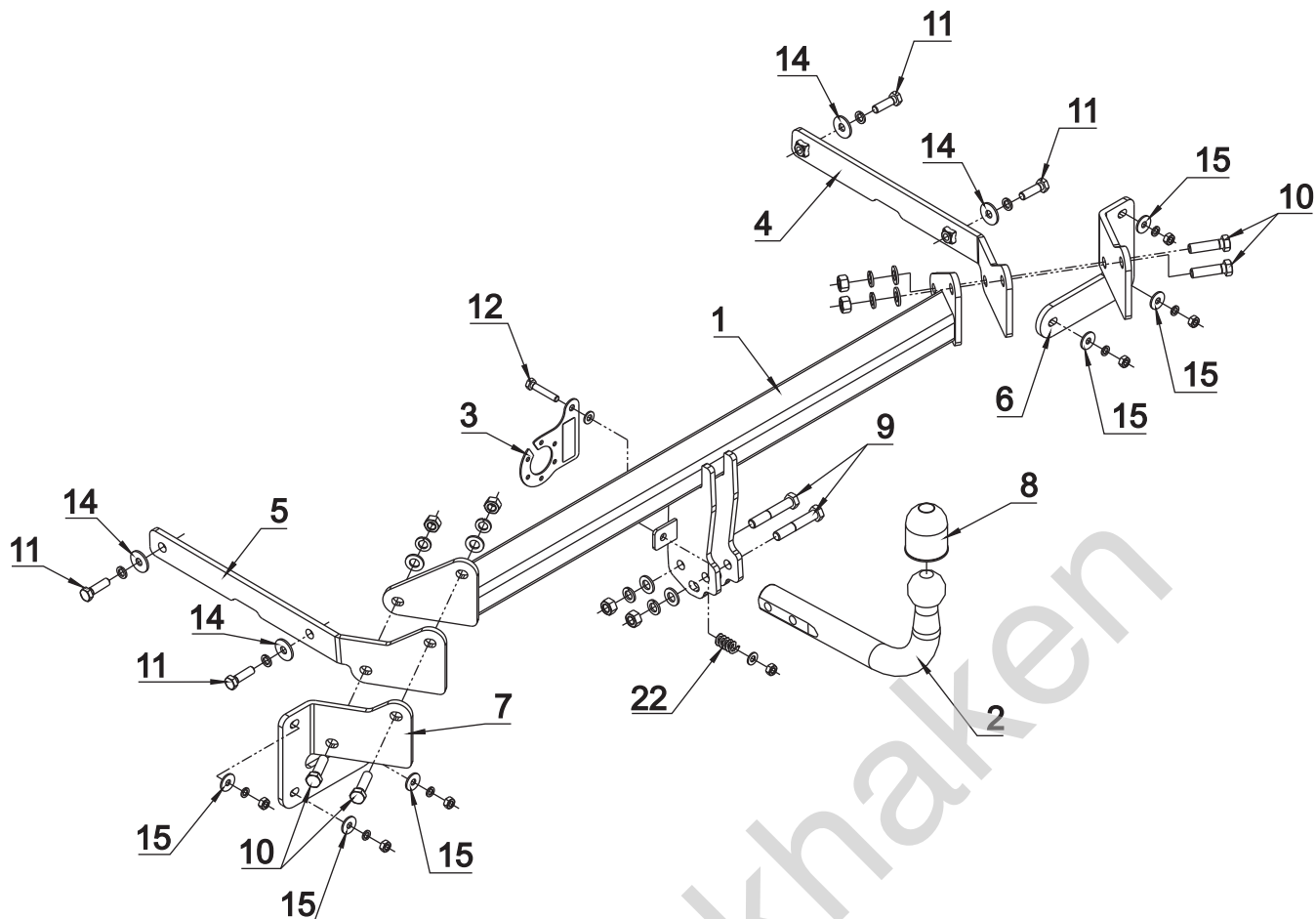
M8 - 25 Nm
M12 - 87 Nm
M16 - 210 Nm

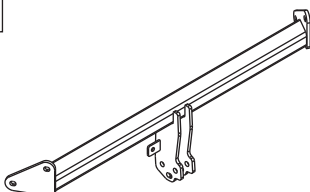


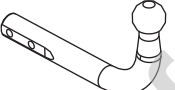

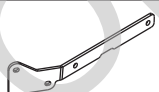
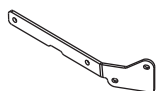

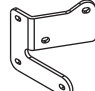

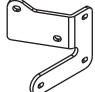
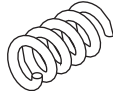



0 km →

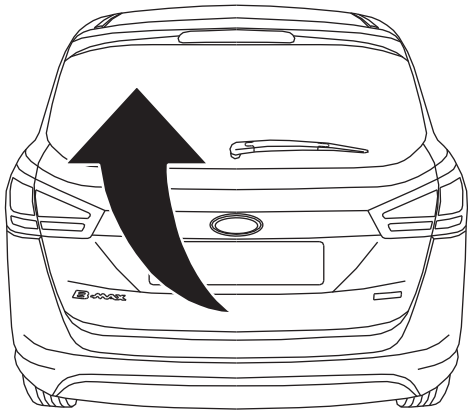


1000 km

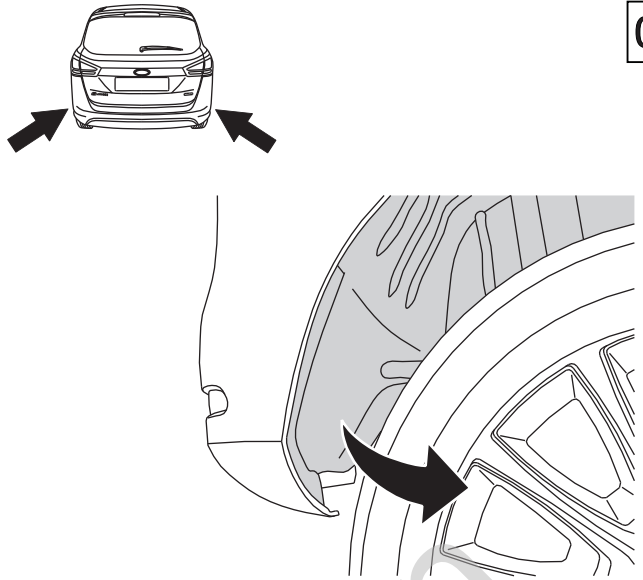


1		x 1		9	M12x70	x 2
				10	M12x45	x 4
				11	M10x35	x 4
				12	M8x45	x 1
				13	∅ 13	x 6
2		x 1		14	∅ 30x∅10.5x2.5 10 (DIN 9021)	x 4
	Art.nr-KL1C62			15	∅ 24x∅8.5x2 8 (DIN 9021)	x 6
3		x 1		16	∅ 8.4	x 2
	Art.nr-BL1C62			17	∅ 12.2	x 6
4		x 1		18	∅ 10.2	x 4
5		x 1		19	∅ 8.2	x 6
6		x 1		20	M12	x 6
				21	M8	x 7
7		x 1	22			x 1
8		x 1				

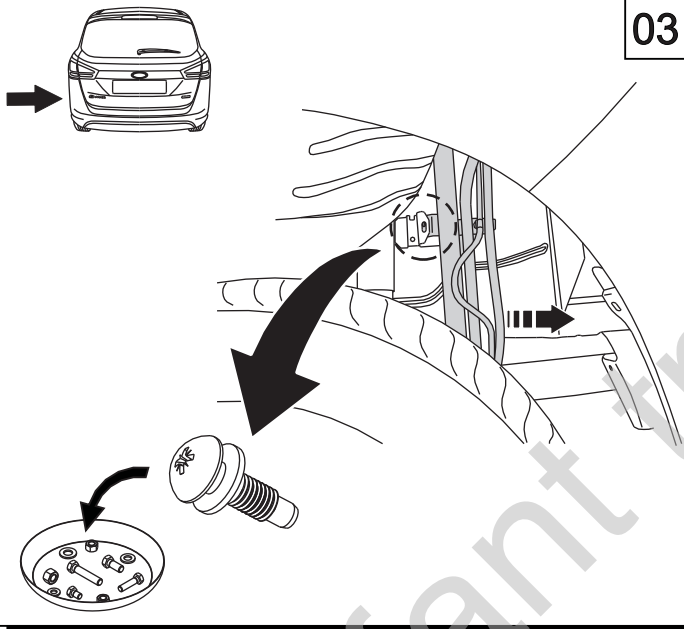
01



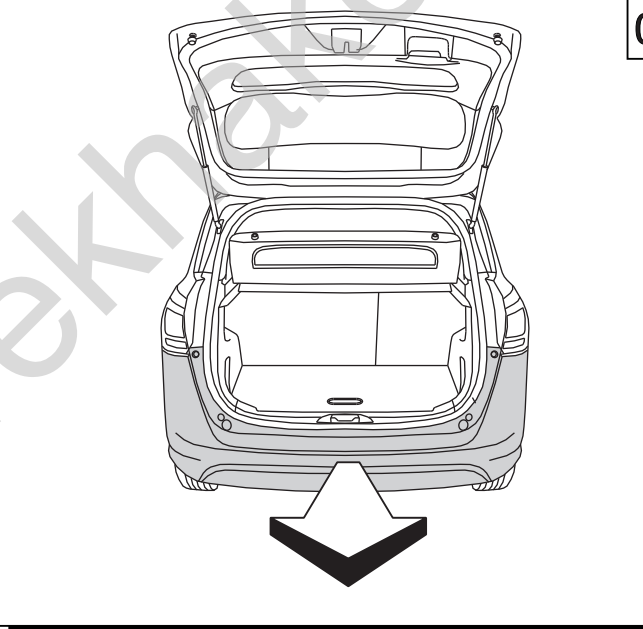
02



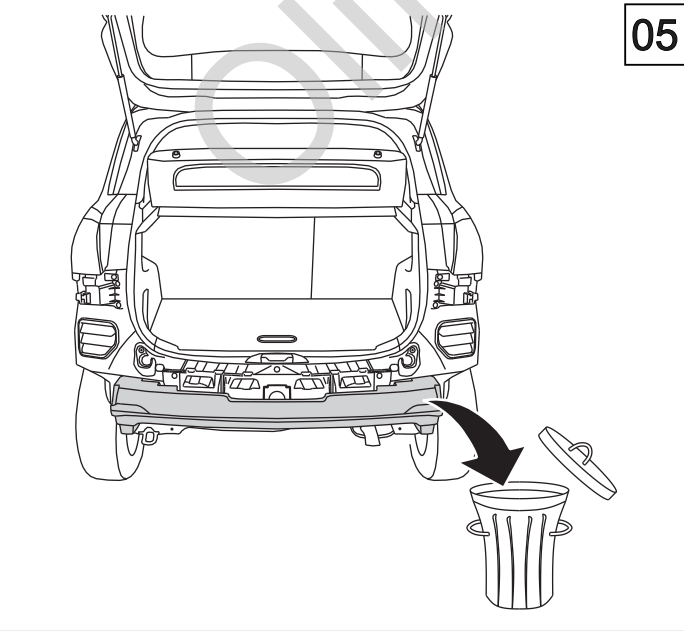
03



04



05



06

