

AUTO-HAK Sp. z o.o.

ul. Słoneczna 16K 76-200 SŁUPSK
POLAND

tel/fax +48 59 8 414 414; +48 59 8 414 413

e-mail: office@autohak.com.pl

www.autohak.com.pl



AUTO-HAK



**FORD KUGA SUV
FORD ESCAPE (USA)**

Cat. no:

C60A



**03.2013 → 12.2016
01.2017 → 06.2019**



E20-55R-01 3175



10,55 kN



R=2100 kg



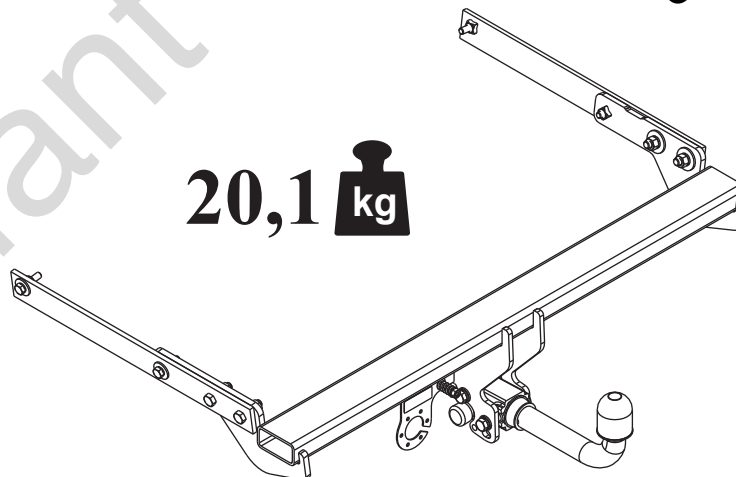
S=105 kg



2h



20,1 kg



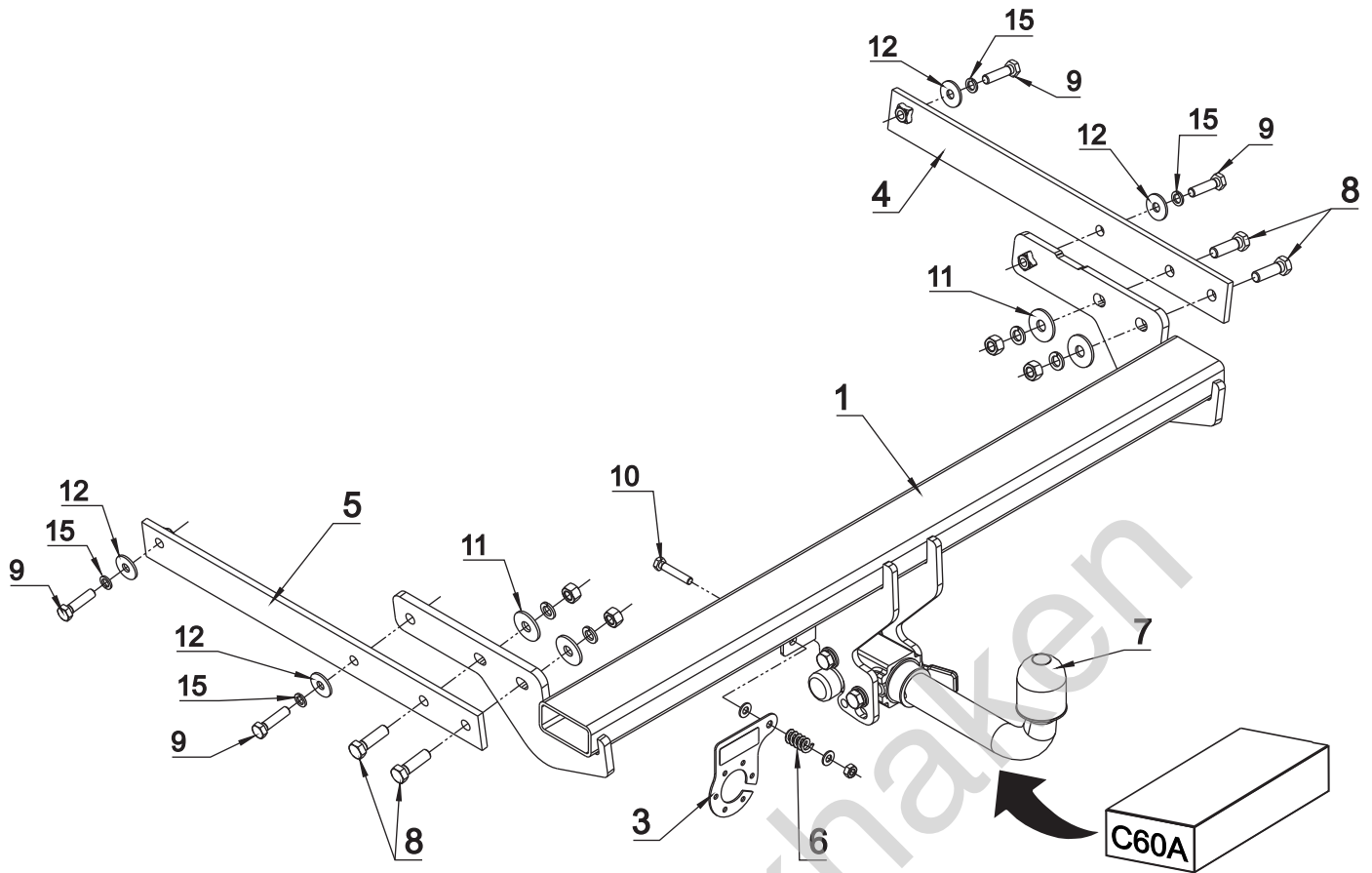
śruba	Nm	M6	M8	M10	M12	M14	M16
klasa 8.8		9,9	24	48	83	132	200
klasa 10.9		14	34	67	117	185	285

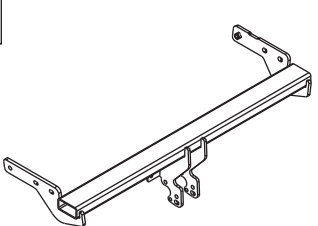

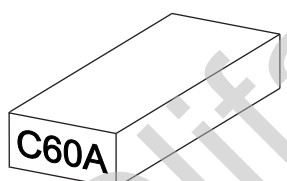



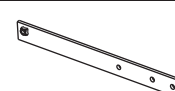
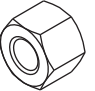
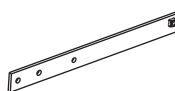
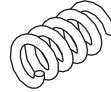



0 km →

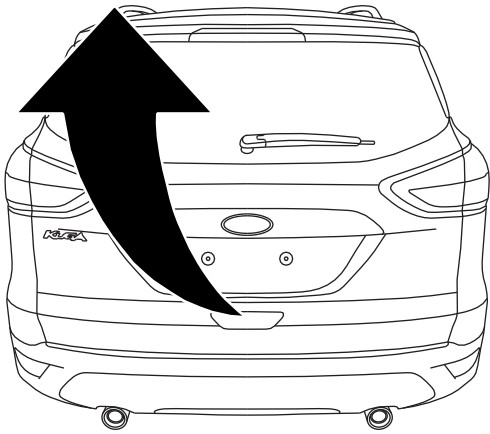


1000 km

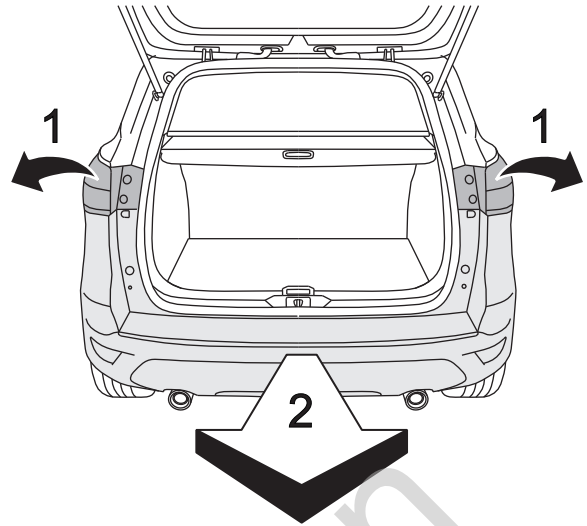


1		x1		8	M12x40	x4
				9	M10x40	x4
				10	M8x45	x1
				11	∅ 37x∅13x3 13 (DIN 9021)	x4
2		x1		12	∅ 30x∅10.5x2.5 10 (DIN 9021)	x4
				13	∅ 8.4	x2
				14	∅ 12.2	x4
3		x1		15	∅ 10.2	x4
				16	M12	x4
4		x1		17	M8	x1
5		x1				
6		x1				
7		x1				

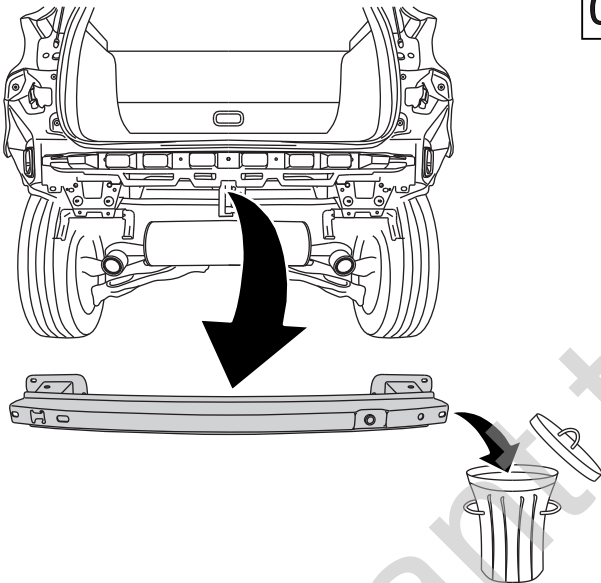
01



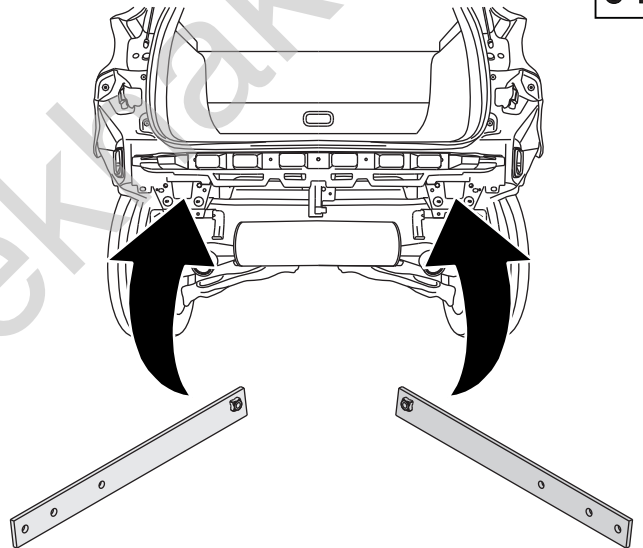
02



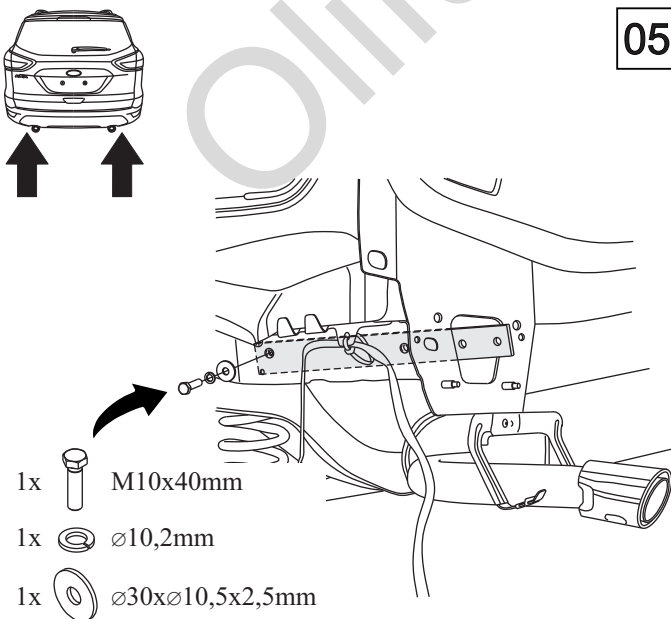
03



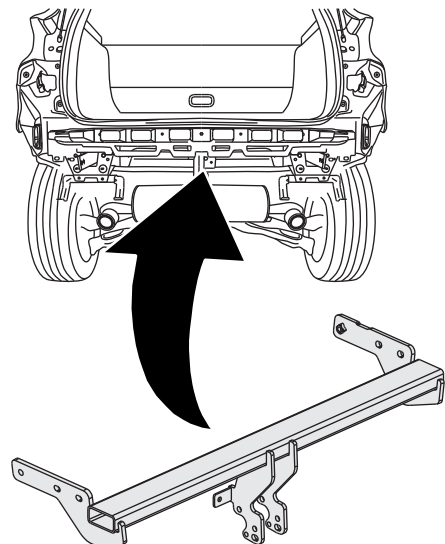
04



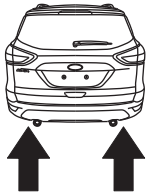
05






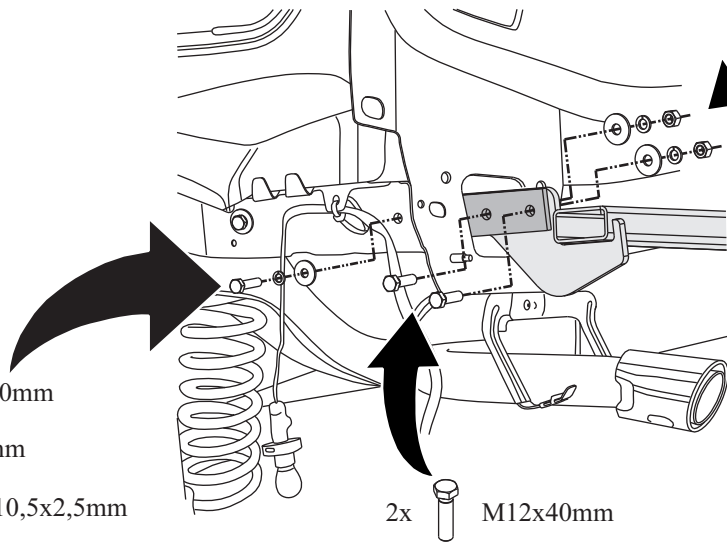
06






07



- 1x  M10x40mm
- 1x  $\varnothing 10,2\text{mm}$
- 1x  $\varnothing 30 \times 10,5 \times 2,5\text{mm}$






- 2x  $\varnothing 37 \times 13 \times 3\text{mm}$
- 2x  $\varnothing 12,2\text{mm}$
- 2x  M12

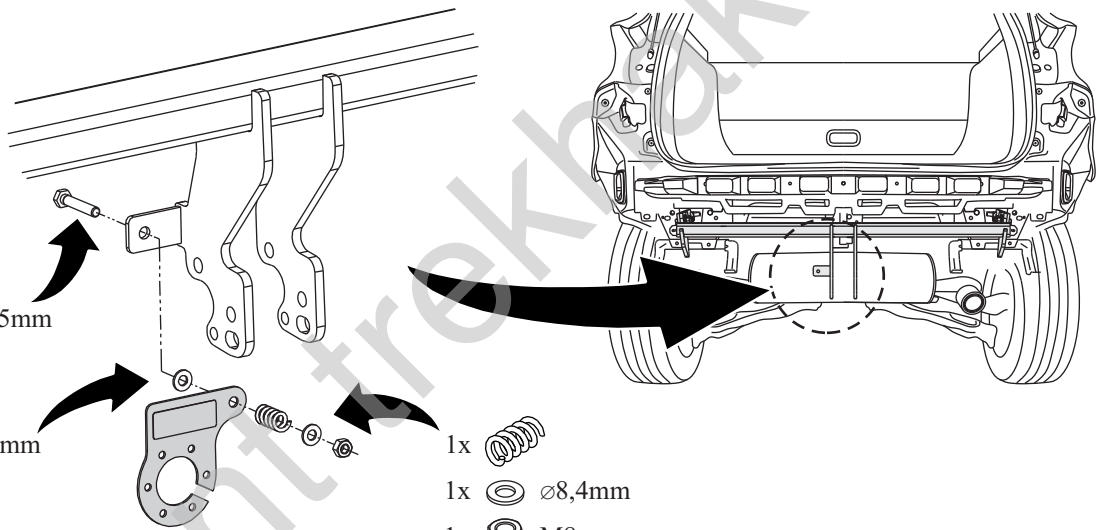
- 2x  M12x40mm

08

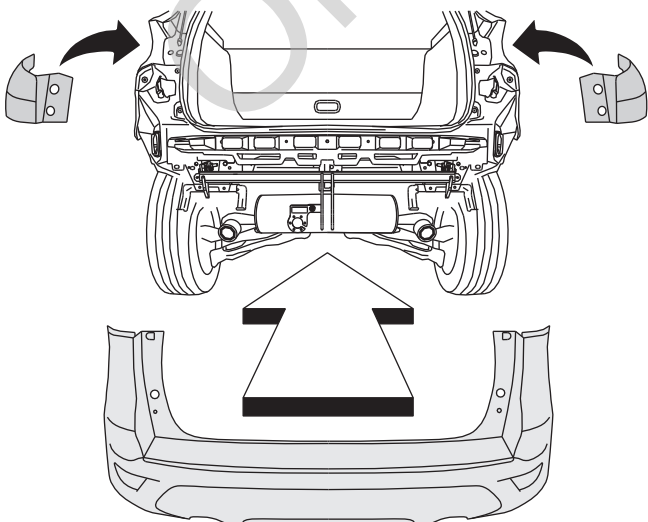
- 1x  M8x45mm

- 1x  $\varnothing 8,4\text{mm}$

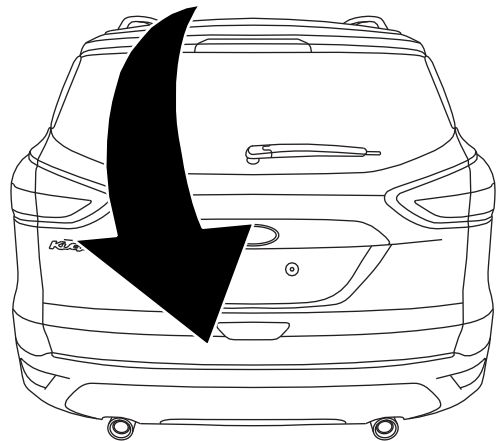
- 1x 
- 1x  $\varnothing 8,4\text{mm}$
- 1x  M8

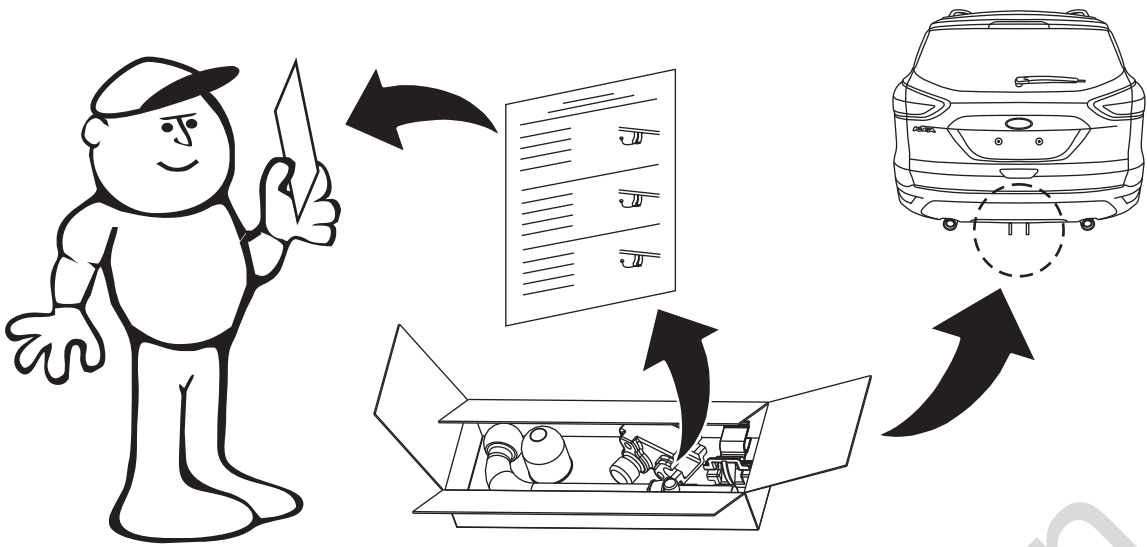


09



10





Olifant trekhaken