

PPUH AUTO-HAK Sp.J.

Henryk i Zbigniew Nejman
ul. Słoneczna 16K 76-200 SŁUPSK
POLAND

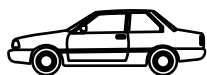
tel/fax +48 59 8 414 414; +48 59 8 414 413

e-mail: office@autohak.com.pl

www.autohak.com.pl

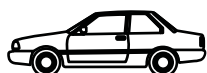


AUTO-HAK



FORD C-MAX, 5D, VAN

⌚ 07.2010 →



**FORD GRAND C-MAX
5D, VAN**

⌚ 07.2010 →

Cat. no:

C57A

E20

E20-55R-01 2970

D

10,0 kN



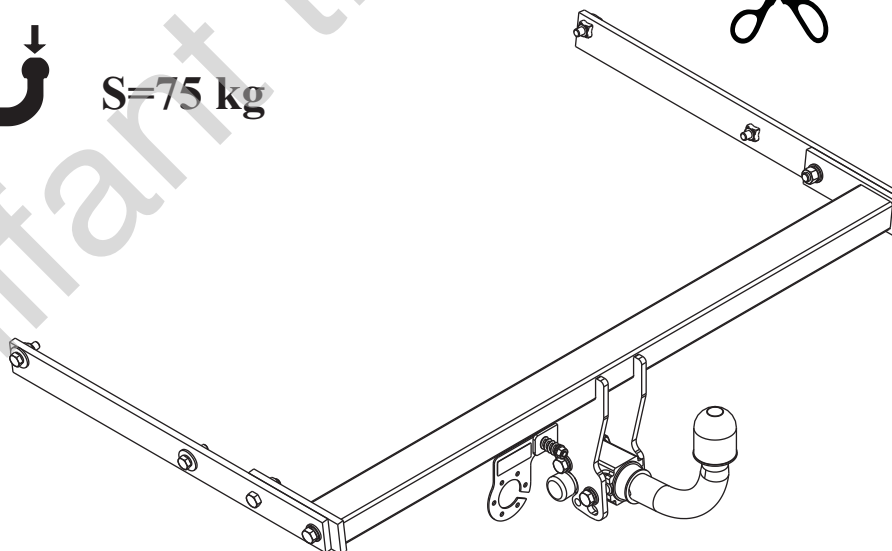
R=1500 kg



S=75 kg



1,5h



M6 - 11 Nm
M10 - 50 Nm
M14 - 138 Nm

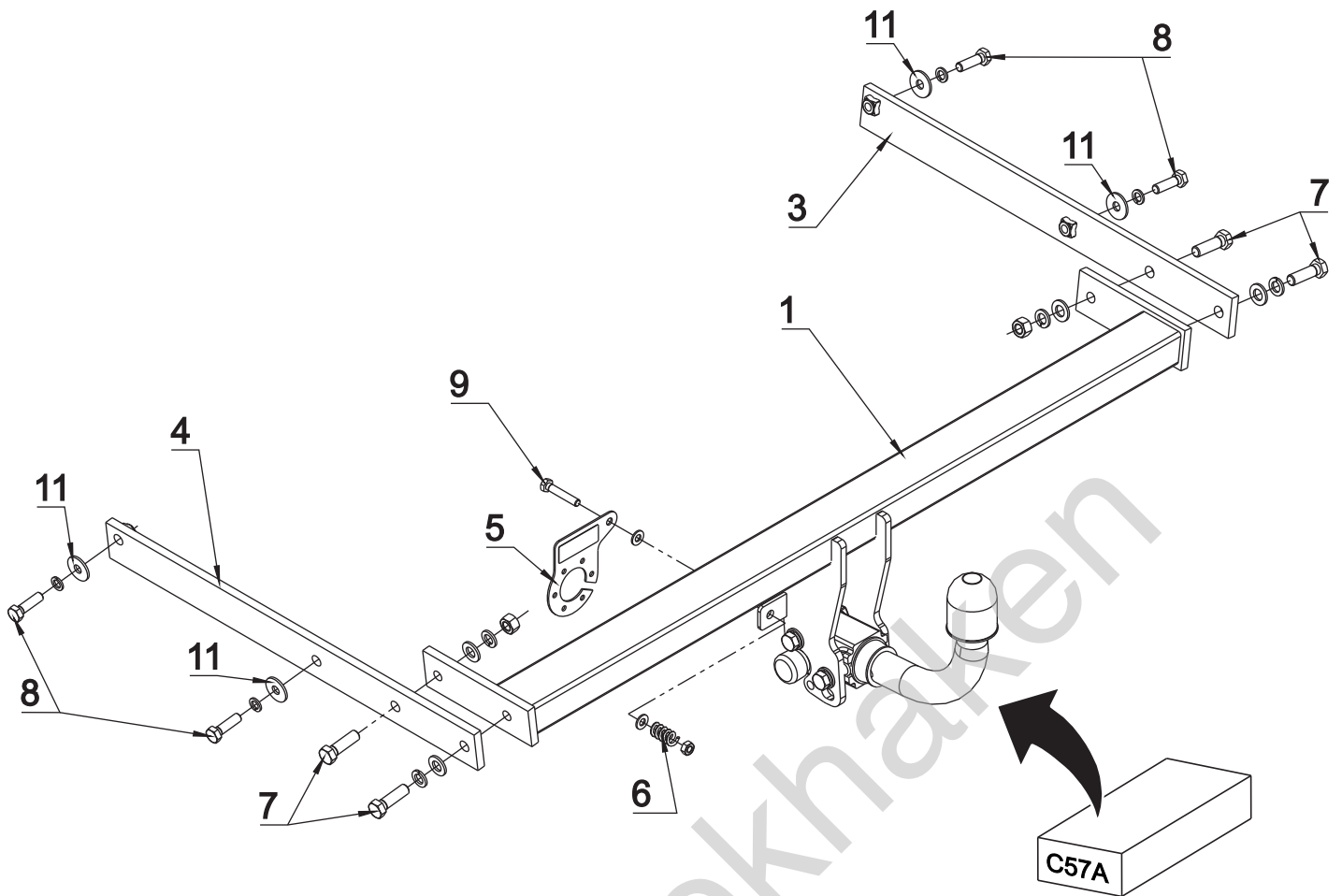
M8 - 25 Nm
M12 - 87 Nm
M16 - 210 Nm

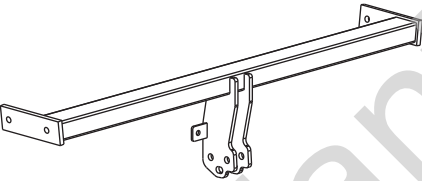



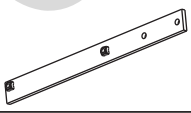

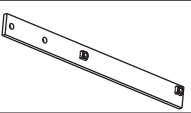

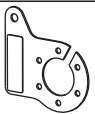

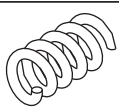


0 km →



1000 km



1		x1		7	M12x40	x4
				8	M10x35	x4
2		x1		9	M8x45	x1
				10	∅ 13	x4
3		x1		11	∅ 30x∅10.5x2.5 10 (DIN 9021)	x4
				12	∅ 8,4	x2
4		x1		13	∅ 12.2	x4
				14	∅ 10.2	x4
5		x1		15	M12	x2
				16	M8	x1
6		x1				

Art.nr-KL1C57A

Art.nr-BL1C57A

