

PPUH AUTO-HAK Sp.J.

Henryk i Zbigniew Nejman
ul. Słoneczna 16K 76-200 SŁUPSK
POLAND

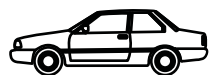
tel/fax +48 59 8 414 414; +48 59 8 414 413

e-mail: office@autohak.com.pl

www.autohak.com.pl



AUTO-HAK



FORD C-MAX, 5D, VAN

⌚ 07.2010 →



**FORD GRAND C-MAX
5D, VAN**

⌚ 07.2010 →

Cat. no:

C57

E20

E20-55R-01 2969

D

10,0 kN



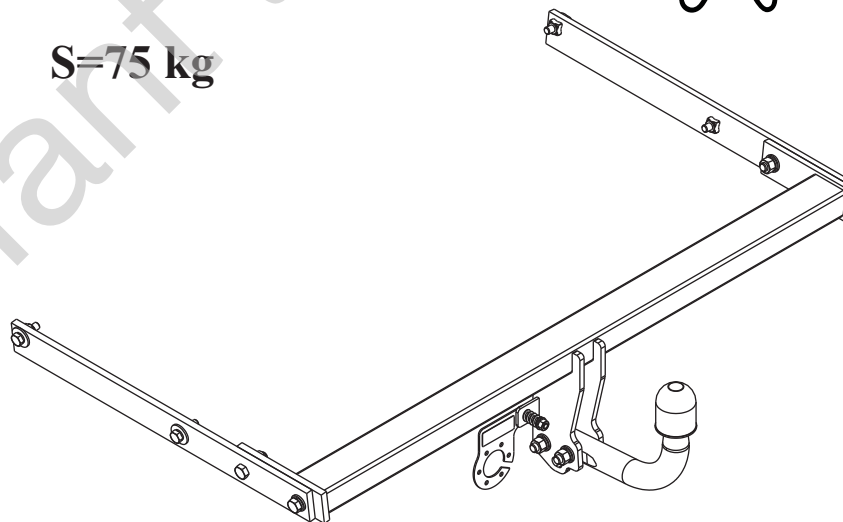
R=1500 kg



S=75 kg



1,5h



M6 - 11 Nm
M10 - 50 Nm
M14 - 138 Nm

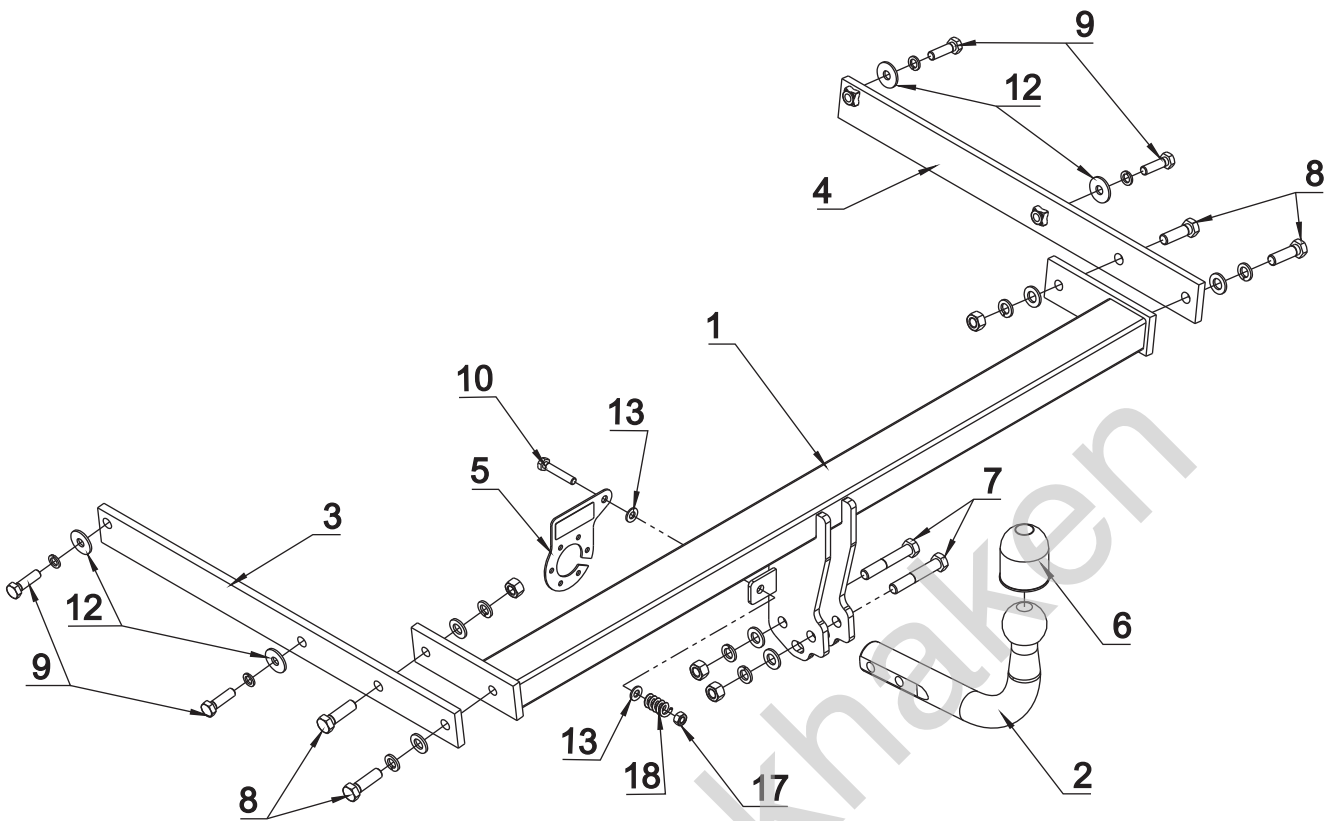
M8 - 25 Nm
M12 - 87 Nm
M16 - 210 Nm

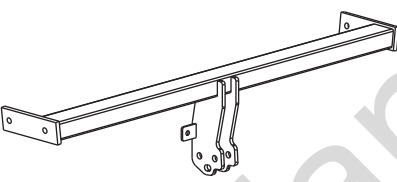
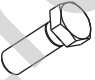
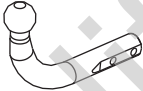

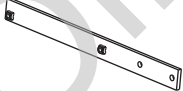

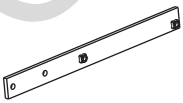





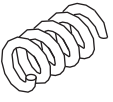


0 km →



1000 km



1		x 1		7	M12x70	x 2
2	 Art.nr-KL1C57	x 1		8	M12x40	x 4
				9	M10x35	x 4
3		x 1		10	M8x45	x 1
				11	Ø 13	x 6
4		x 1		12	Ø 30xØ10.5x2.5 10 (DIN 9021)	x 4
				13	Ø 8,4	x 2
5	 Art.nr-BL1C57	x 1		14	Ø 12.2	x 6
				15	Ø 10.2	x 4
6		x 1		16	M12	x 4
				17	M8	x 1
				18		x 1

