

PPUH AUTO-HAK Sp.J.

Henryk i Zbigniew Nejman
ul. Słoneczna 16K 76-200 SŁUPSK
POLAND

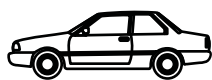
tel/fax +48 59 8 414 414; +48 59 8 414 413

e-mail: office@autohak.com.pl

www.autohak.com.pl



AUTO-HAK



FORD KUGA
SUV, 2+4WD

Cat. no:

C53



05.2008 → 02.2013



E20-55R-01 4161



10,55 kN



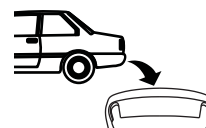
R=2100 kg



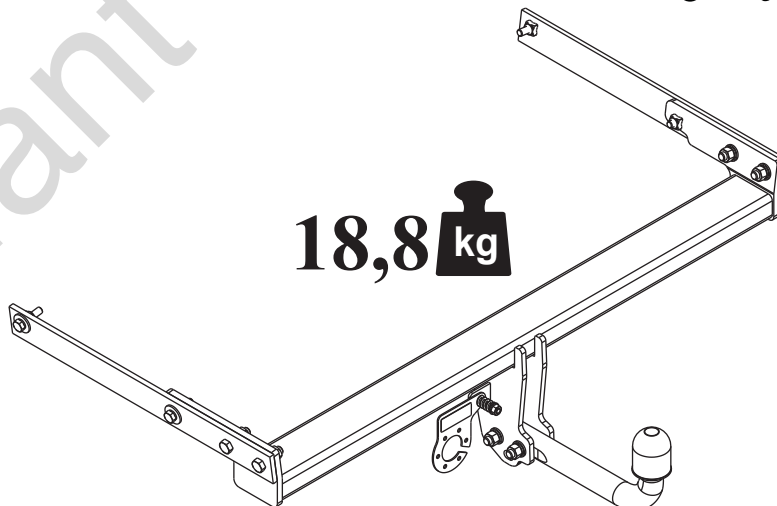
S=105



2h



18,8 kg



M6 - 11 Nm
M10 - 50 Nm
M14 - 138 Nm

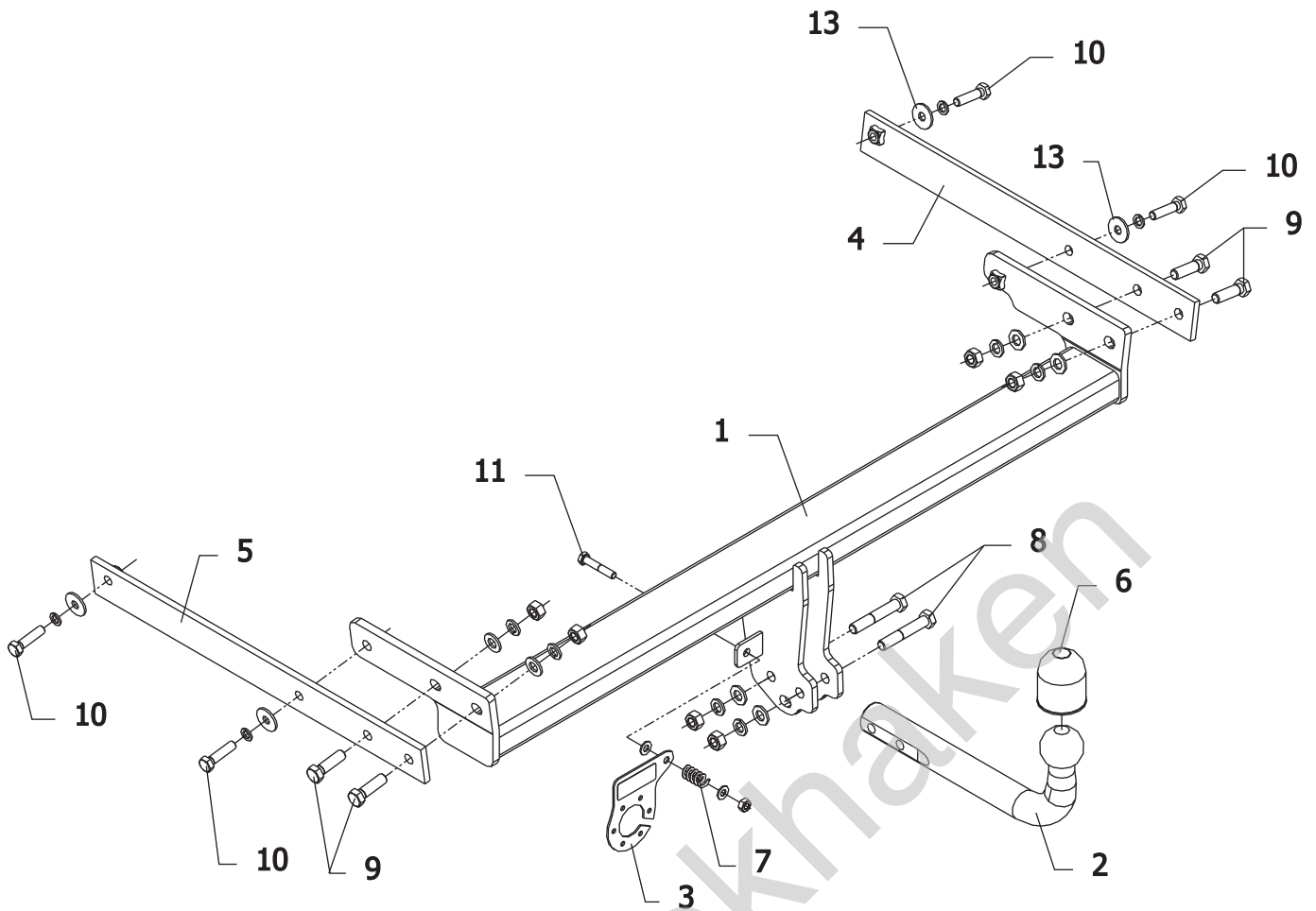
M8 - 25 Nm
M12 - 87 Nm
M16 - 210 Nm

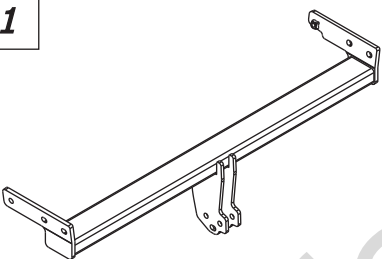
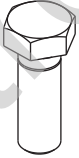

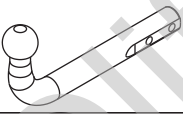

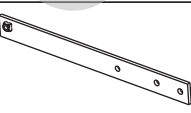

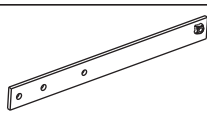


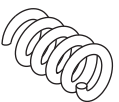


0 km →



1000 km



1		x1		8 M12x70	x2
				9 M12x40	x4
				10 M10x40	x4
				11 M8x45	x1
				12 ϕ 13	x6
2		x1 Art.nr-KL1C53		13 ϕ 30x ϕ 10.5x2.5 10 wg DIN 9021	x4
3		x1 Art.nr-BL1C53		14 ϕ 8.4	x2
4		x1		15 ϕ 12.2	x6
				16 ϕ 10.2	x4
5		x1		17 M12	x6
				18 M8	x1
6		x1			
7		x1			

