

# AUTO-HAK Sp. z o.o.

ul. Słoneczna 16K 76-200 SŁUPSK  
POLAND

tel/fax +48 59 8 414 414; +48 59 8 414 413

e-mail: [office@autohak.com.pl](mailto:office@autohak.com.pl)

[www.autohak.com.pl](http://www.autohak.com.pl)



# AUTO-HAK



## FORD FIESTA 3/5D

~~ST / Titanium / Sport / Ecoetic~~

Cat. no:

**C52A**



09.2008 → 12.2012

01.2013 → 04.2017



E20-55R-01 4160



**2h**

**D**

5,7 kN



R=900 kg



S=50 kg



**15,1 kg**



M6 - 8,5 Nm  
M10 - 41 Nm  
M14 - 112 Nm

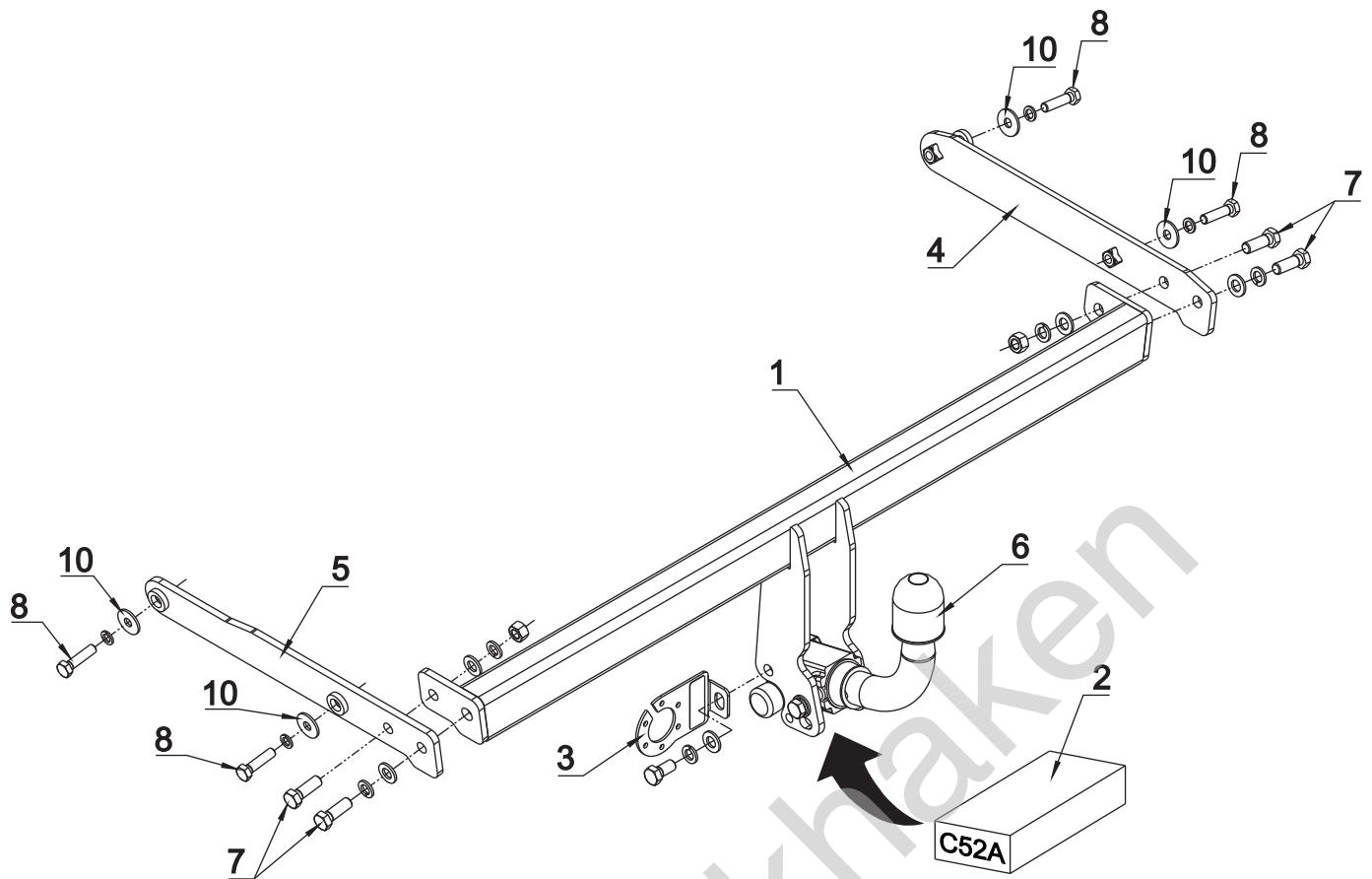
M8 - 20 Nm  
M12 - 70 Nm  
M16 - 170 Nm

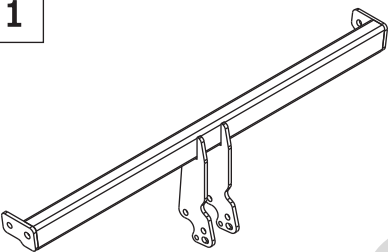



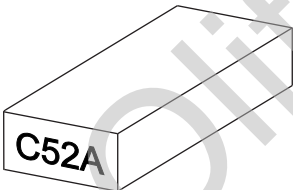


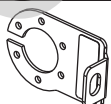
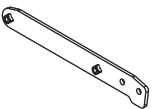
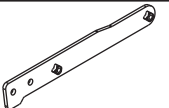



0 km →



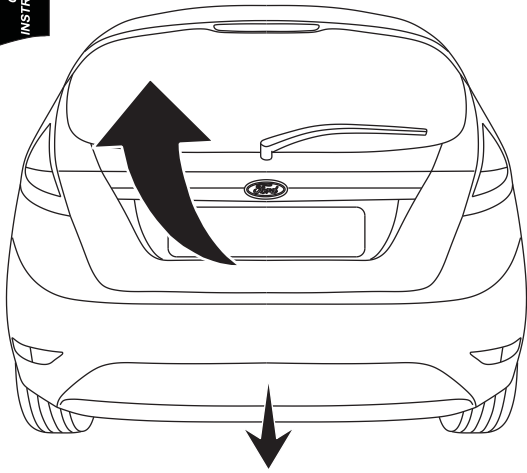
1000 km



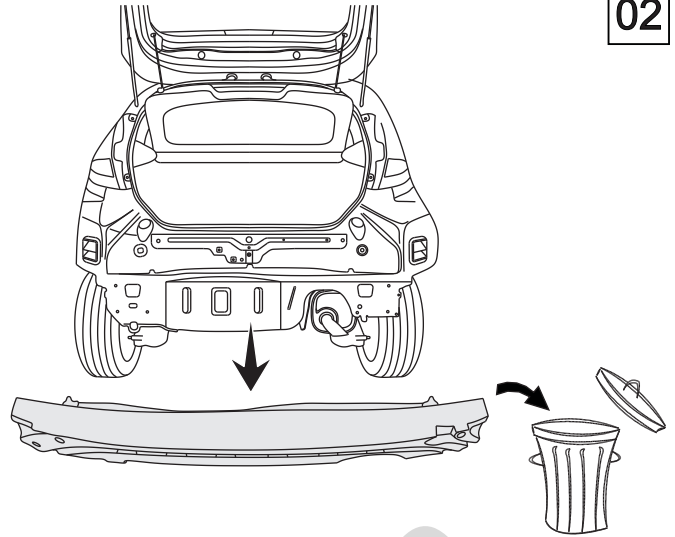
	<b>x 1</b>		<b>7</b> M 12x35	<b>x 4</b>		
				<b>8</b> M 10x40	<b>x 4</b>	
					<b>9</b> $\varnothing$ 13	<b>x 4</b>
					<b>10</b> $\varnothing$ 30x $\varnothing$ 10.5x2.5 10 DIN 9021	<b>4</b>
	<b>x 1</b>		<b>11</b> $\varnothing$ 12.2	<b>x 4</b>		
				<b>12</b> $\varnothing$ 10.2	<b>x 4</b>	
				<b>13</b> M 12	<b>x 2</b>	
	Art.nr-KL1C52A					
	<b>x 1</b>					
	Art.nr-BL1C52A					
	<b>x 1</b>					
	<b>x 1</b>					
	<b>x 1</b>					



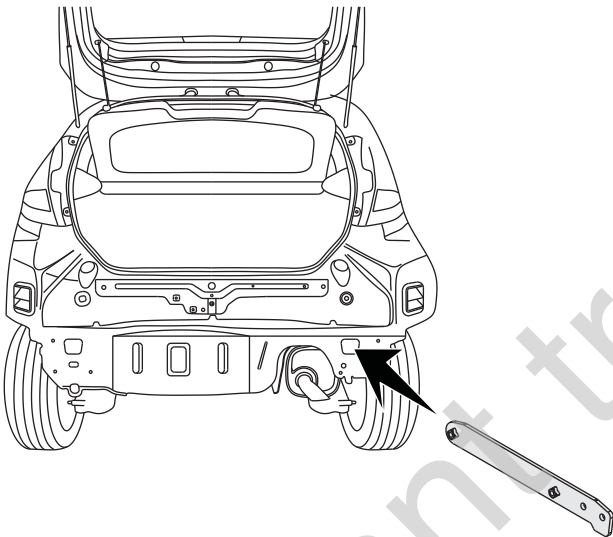
01






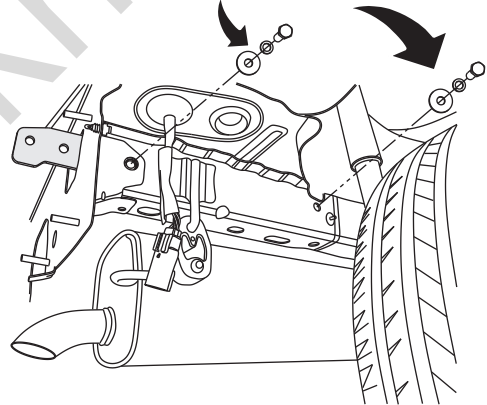
02



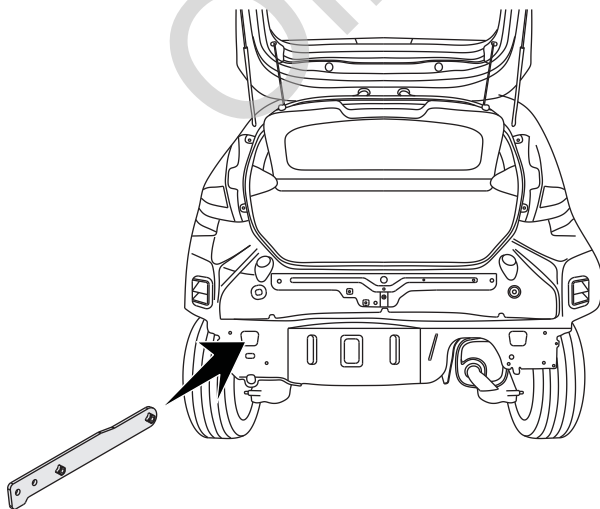
03






- 2x  M10x40
- 2x  Ø10.2
- 2x  Ø30xØ10.5x2.5



04



- 2x  M10x40
- 2x  Ø10.2
- 2x  Ø30xØ10.5x2.5

