

AUTO-HAK Sp. z o.o.

ul. Słoneczna 16K 76-200 SŁUPSK
POLAND

tel/fax +48 59 8 414 414; +48 59 8 414 413

e-mail: office@autohak.com.pl

www.autohak.com.pl



AUTO-HAK



FORD FIESTA 3/5D

~~ST / Titanium / Sport / Ecoetic~~

Cat. no:

C52



09.2008 → 12.2012

01.2013 → 04.2017



E20-55R-01 4159



2h

D

5,7 kN

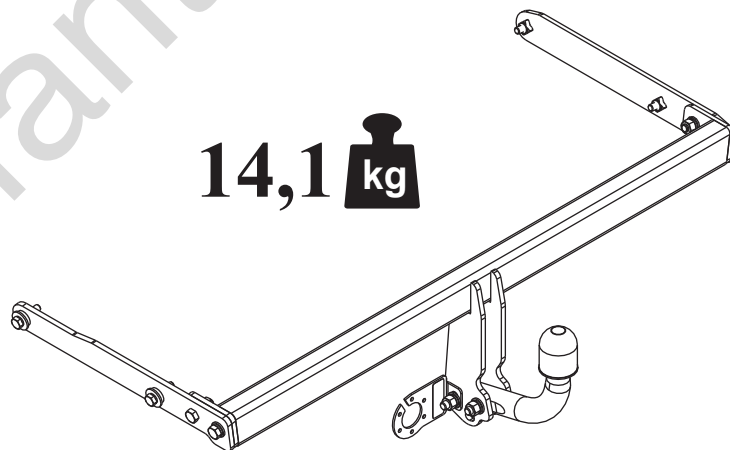


R=900 kg



S=50 kg

14,1 kg



M6 - 8,5 Nm
M10 - 41 Nm
M14 - 112 Nm

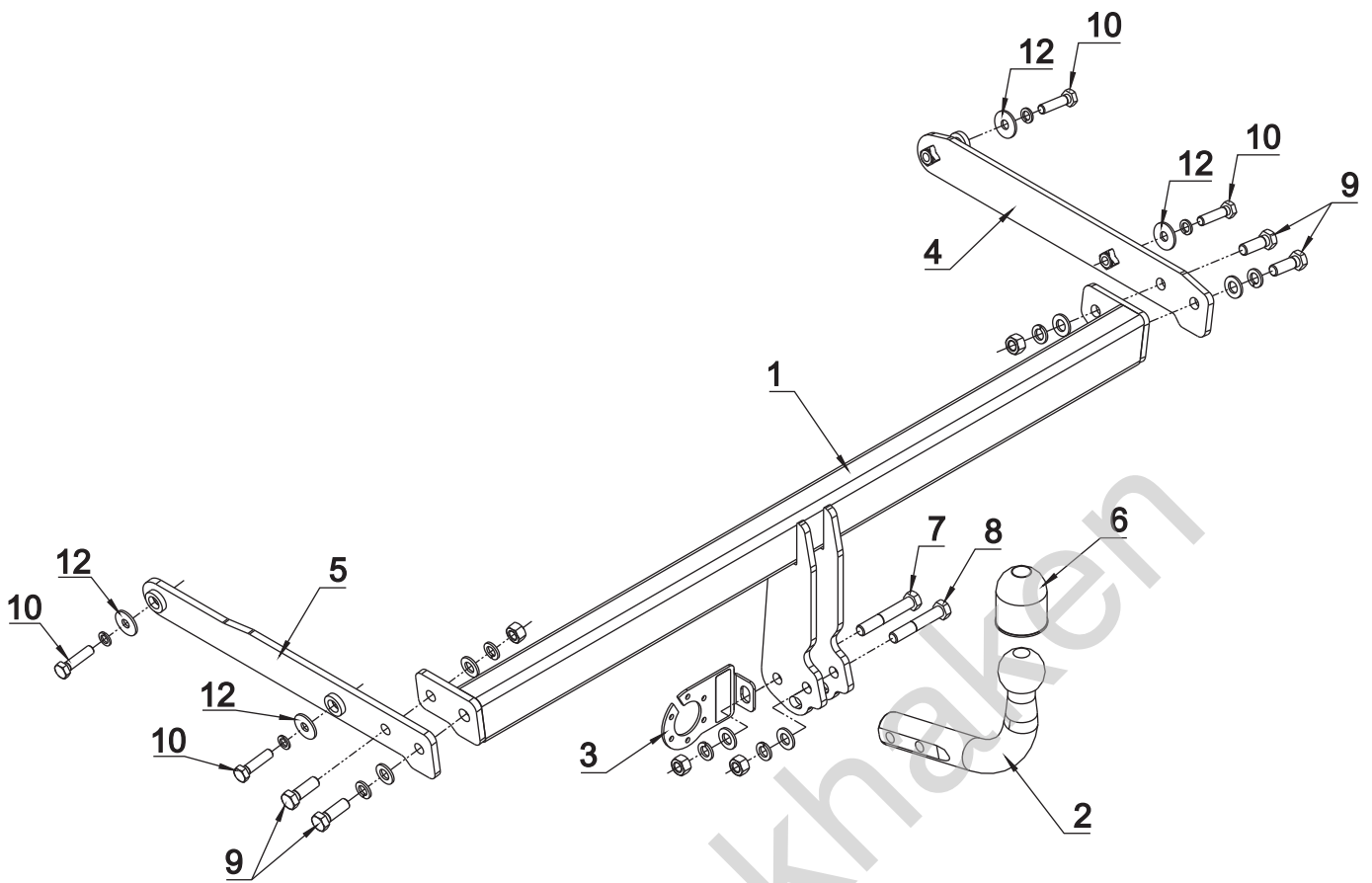
M8 - 20 Nm
M12 - 70 Nm
M16 - 170 Nm



0 km →



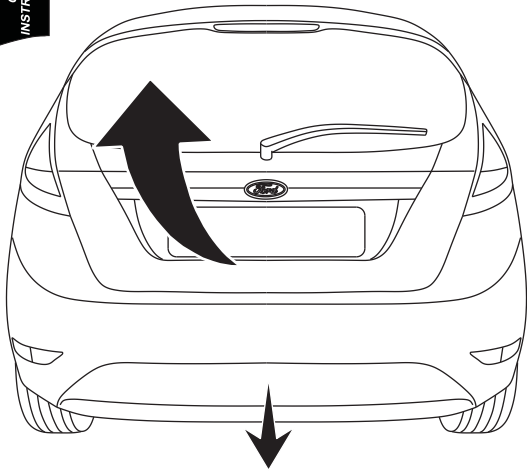
1000 km



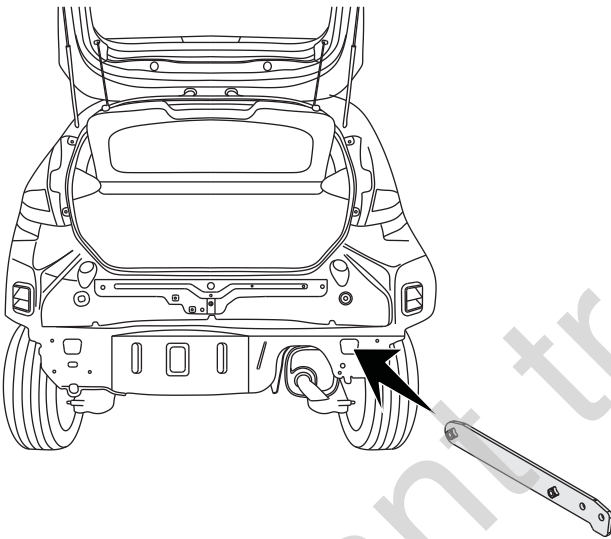
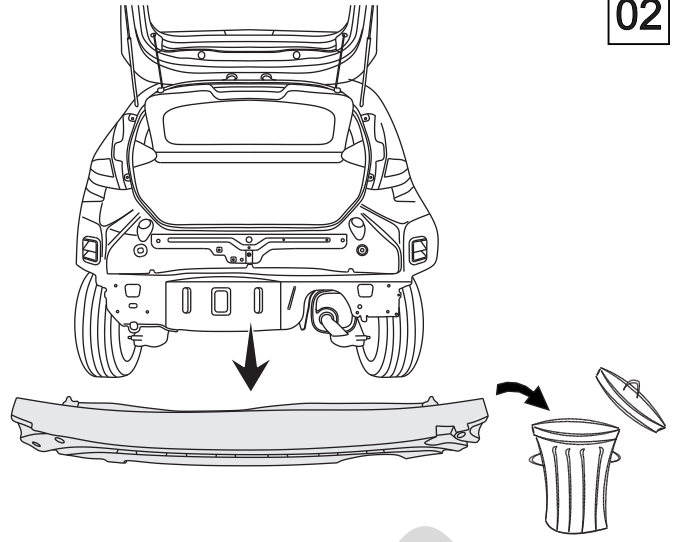
1		x1		7	M12x75	x1
				8	M12x70	x1
				9	M12x35	x4
				10	M10x40	x4
2		x1		11	∅ 13	x6
				12	∅ 30x∅10.5x2.5 10 DIN 9021	4
3		x1		13	∅ 12.2	x6
				14	∅ 10.2	x4
4		x1		15	M12	x4
5		x1				
6		x1				






01

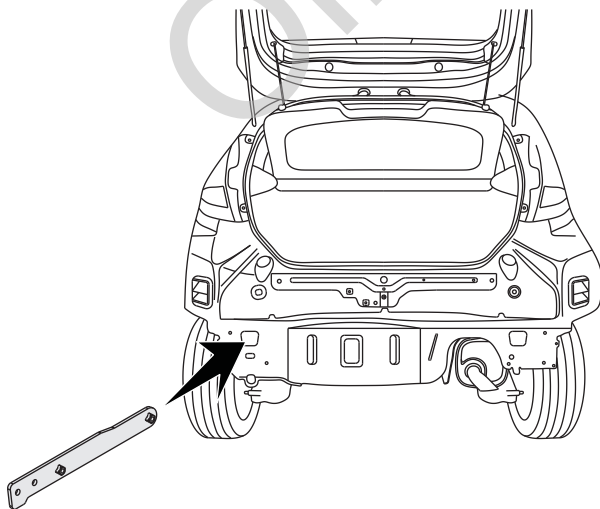
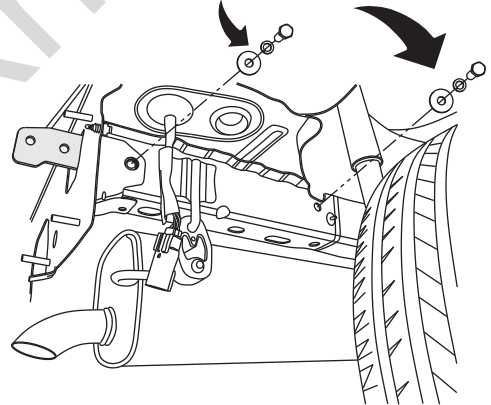





02



- 2x  M10x40
- 2x  Ø10.2
- 2x  Ø30xØ10.5x2.5

03



- 2x  M10x40
- 2x  Ø10.2
- 2x  Ø30xØ10.5x2.5

04

