

# PPUH AUTO-HAK Sp.J.

Henryk i Zbigniew Nejman  
ul. Słoneczna 16K 76-200 SŁUPSK  
POLAND

tel/fax +48 59 8 414 414; +48 59 8 414 413

e-mail: [office@autohak.com.pl](mailto:office@autohak.com.pl)

[www.autohak.com.pl](http://www.autohak.com.pl)



# AUTO-HAK



**FORD MONDEO 4D (Mk4)  
FORD MONDEO TURNIER  
KOMBI (Mk4)**

Cat. no:

**C50A**



**05.2007 → 09.2014**



**E20-55R-01 4158**



**11,6 kN**



**1h**



**R=2120 kg**



**S=80 kg**



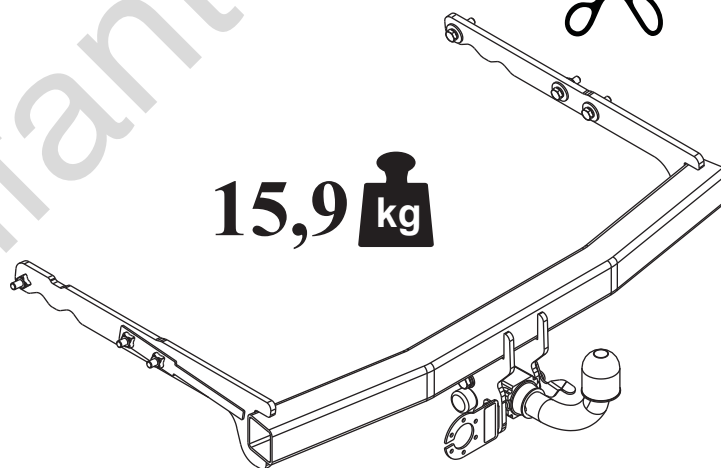
**4D**



**KOMBI**



**15,9 kg**



**M6 - 11 Nm  
M10 - 50 Nm  
M14 - 138 Nm**

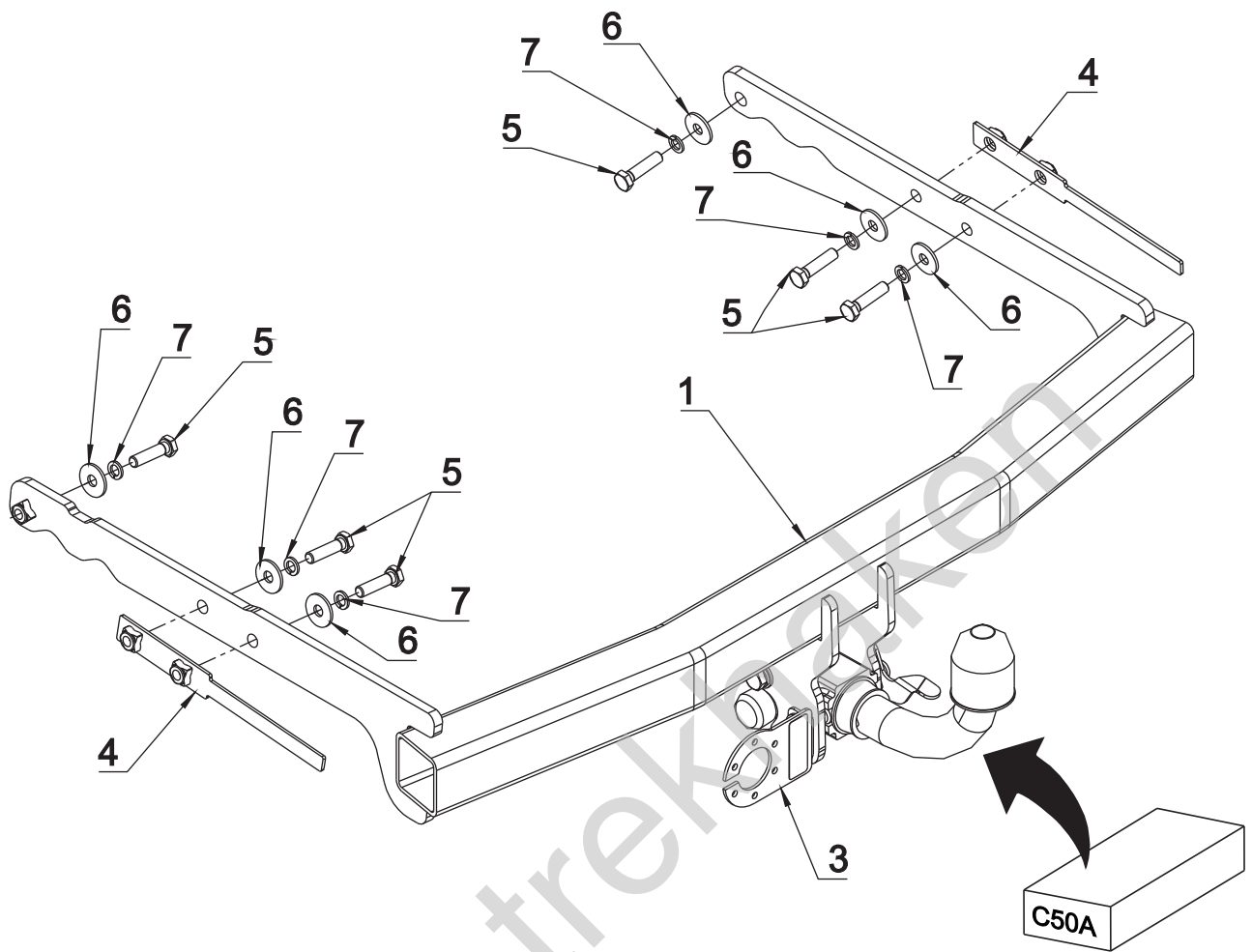
**M8 - 25 Nm  
M12 - 87 Nm  
M16 - 210 Nm**

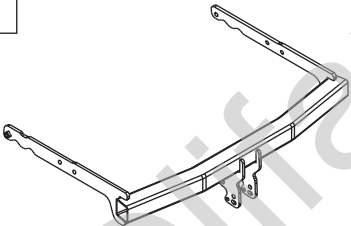

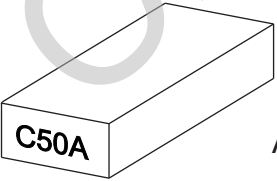

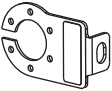

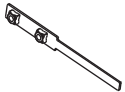


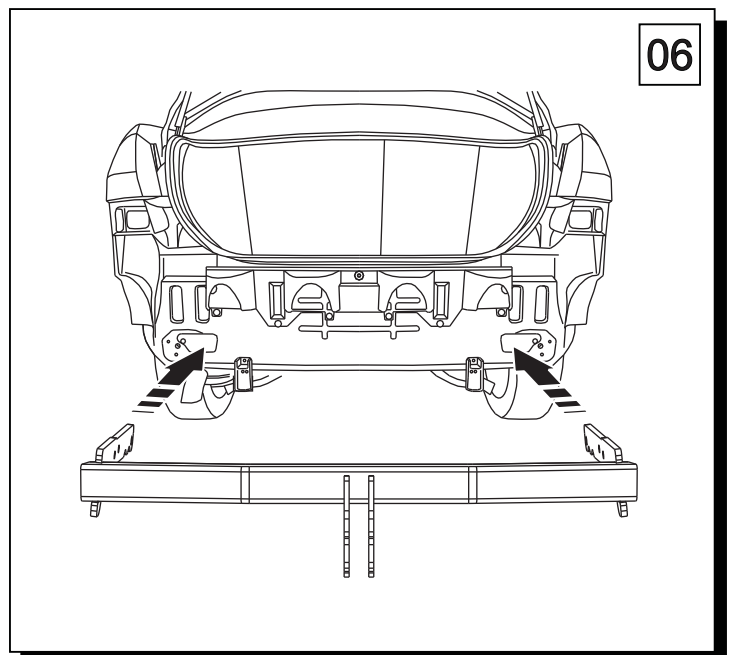
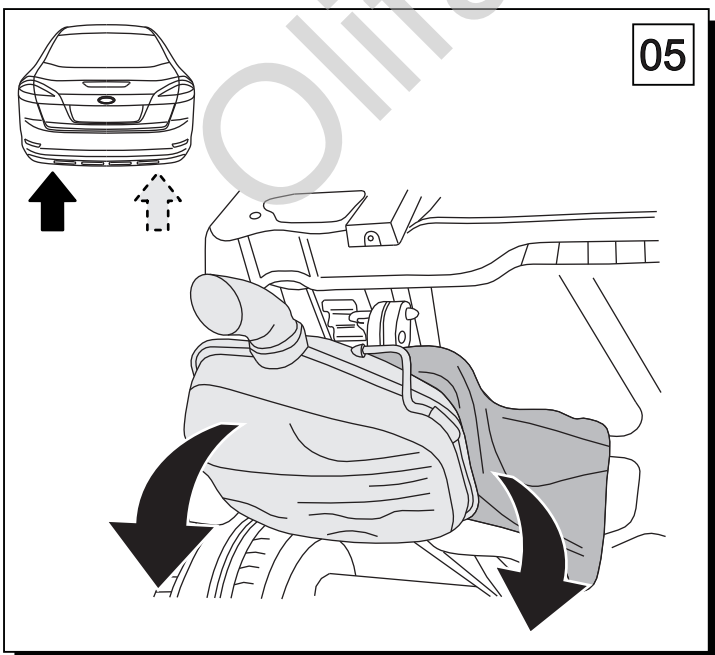
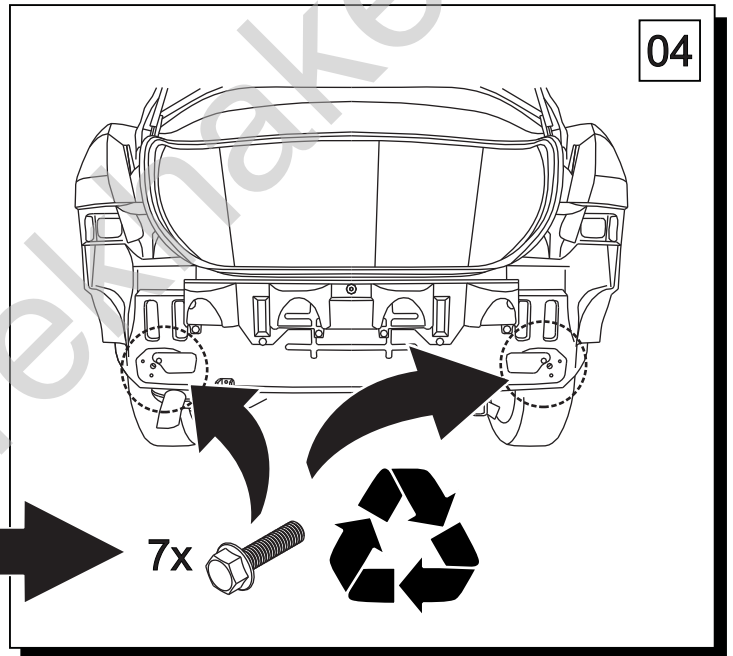
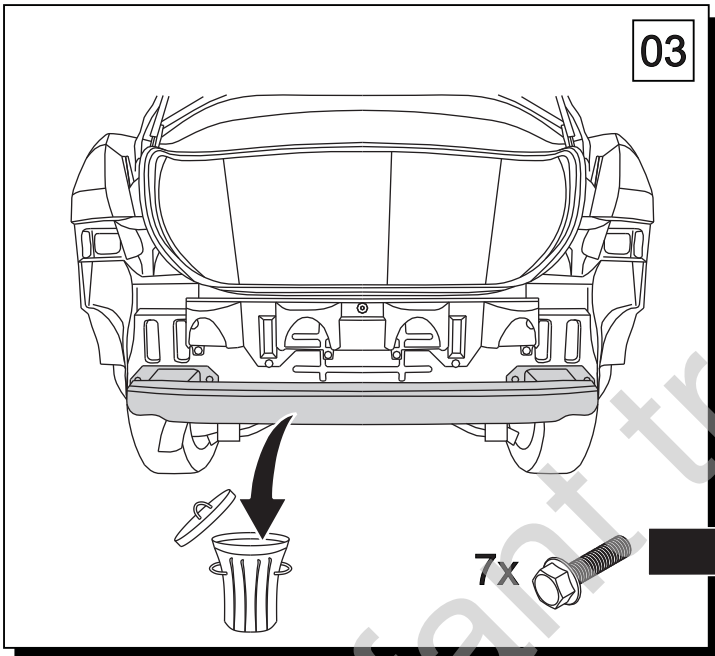
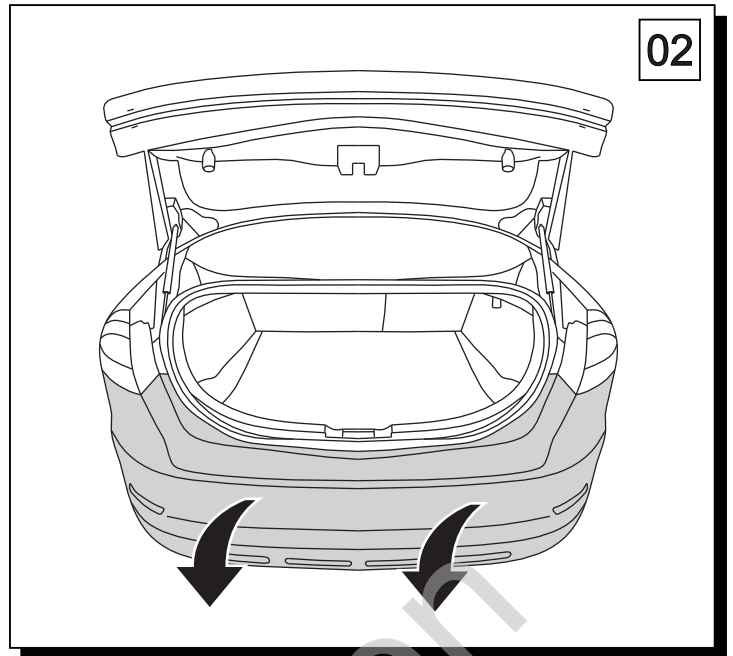
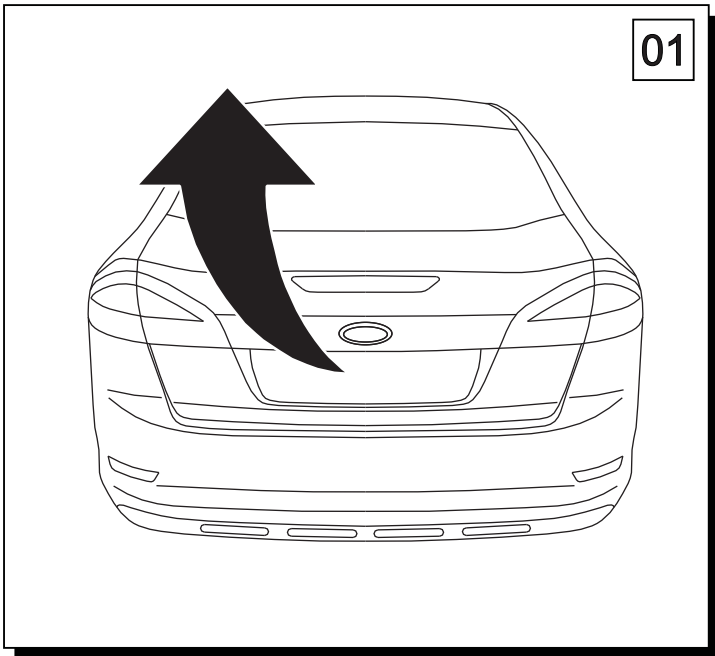
**0 km →**

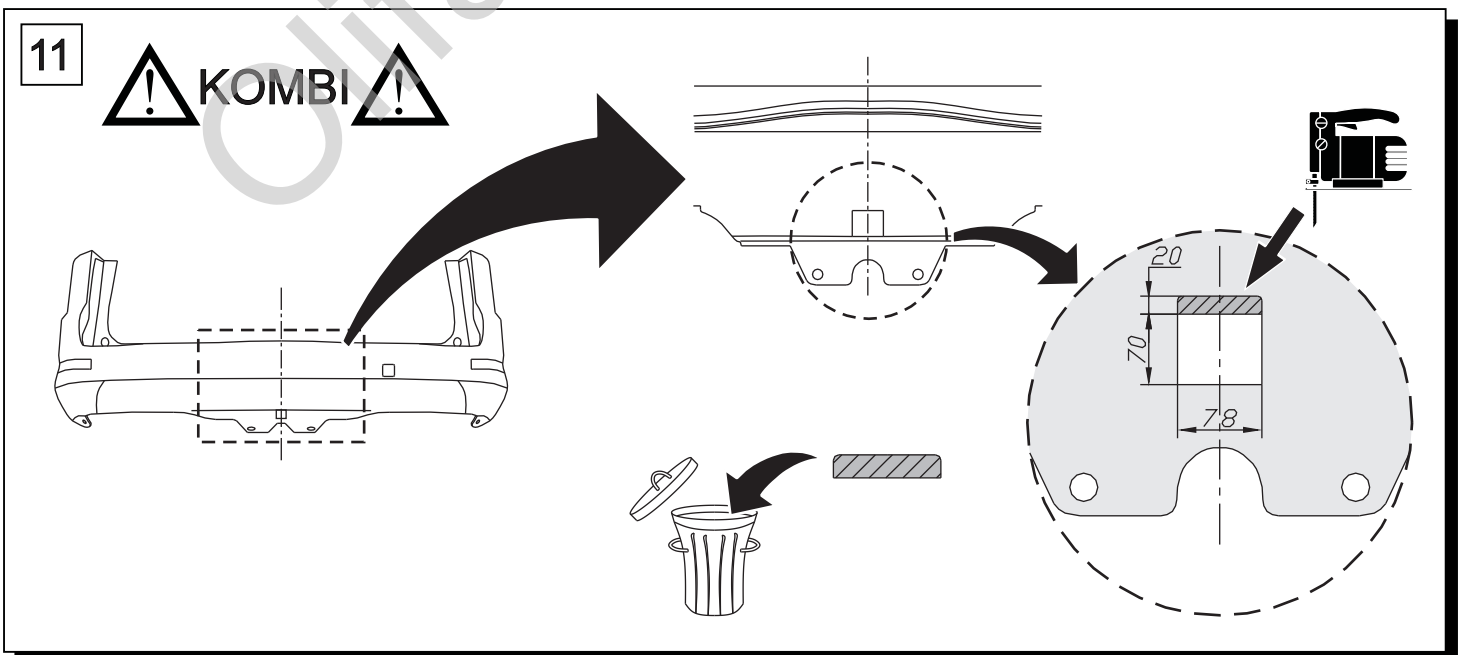
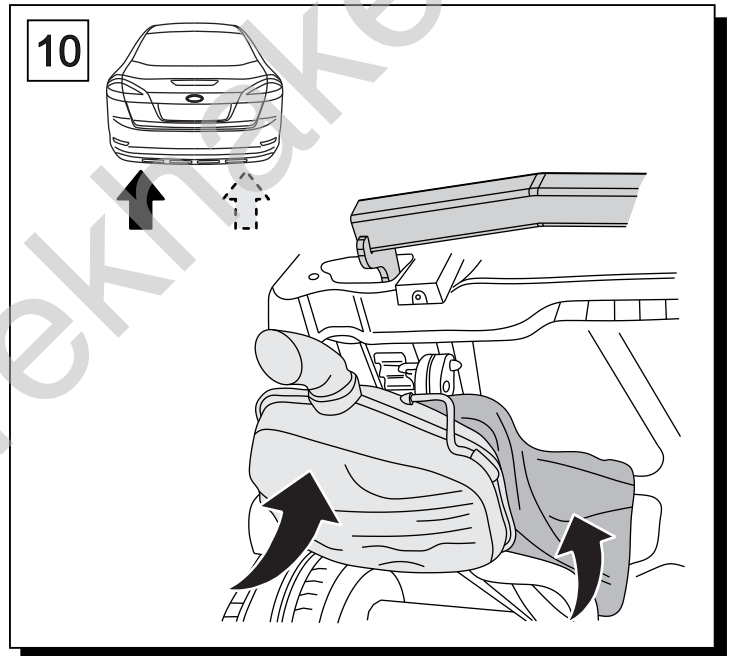
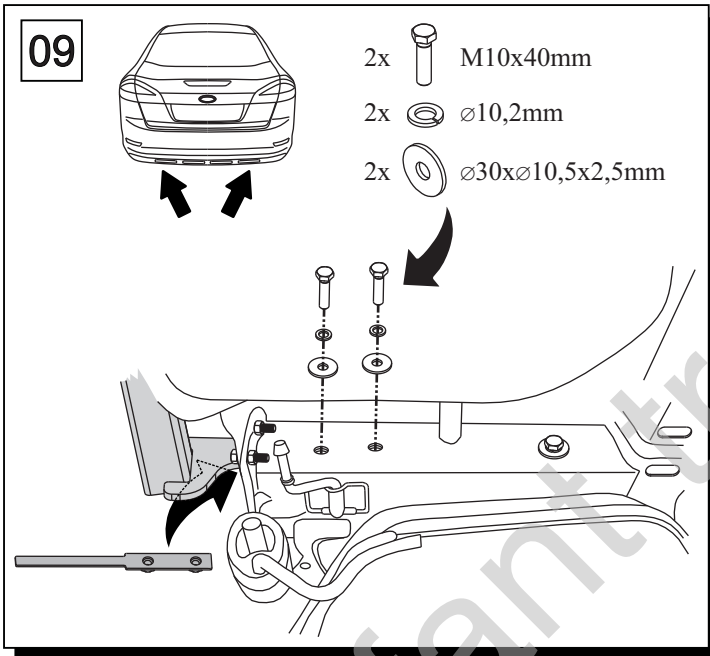
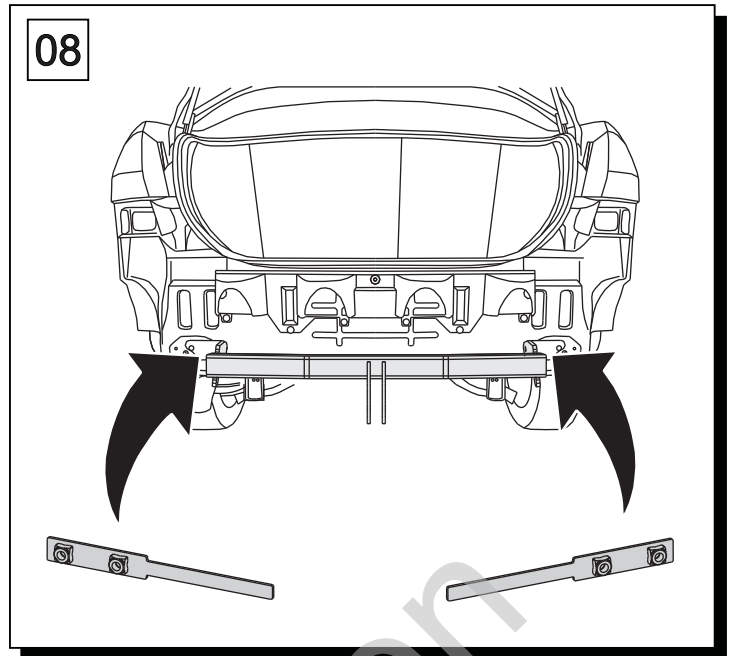
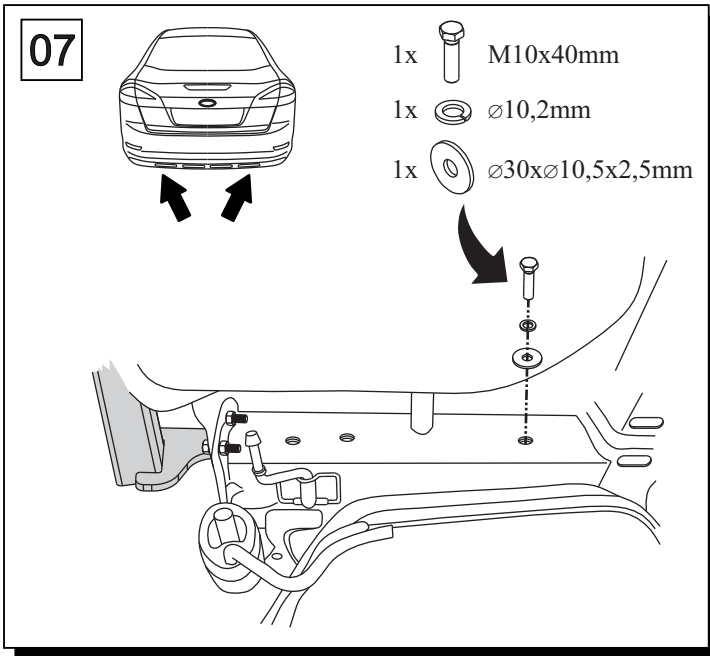


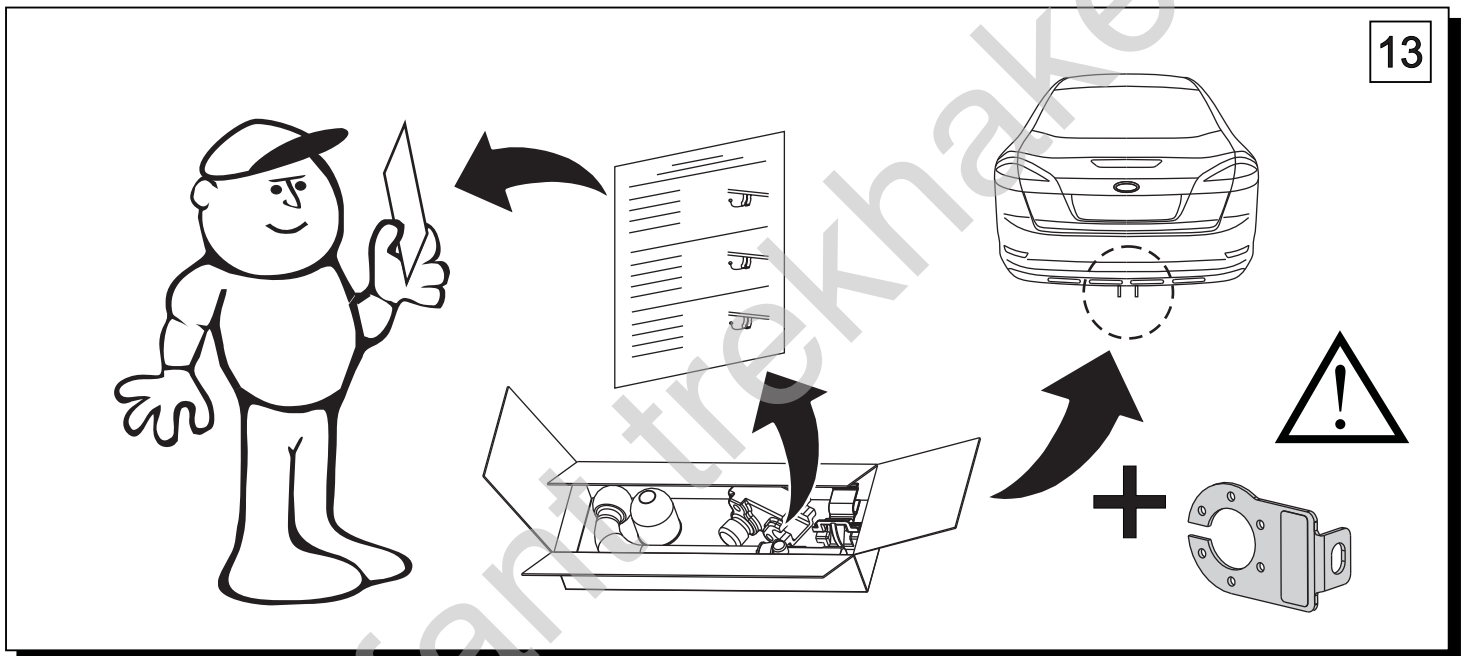
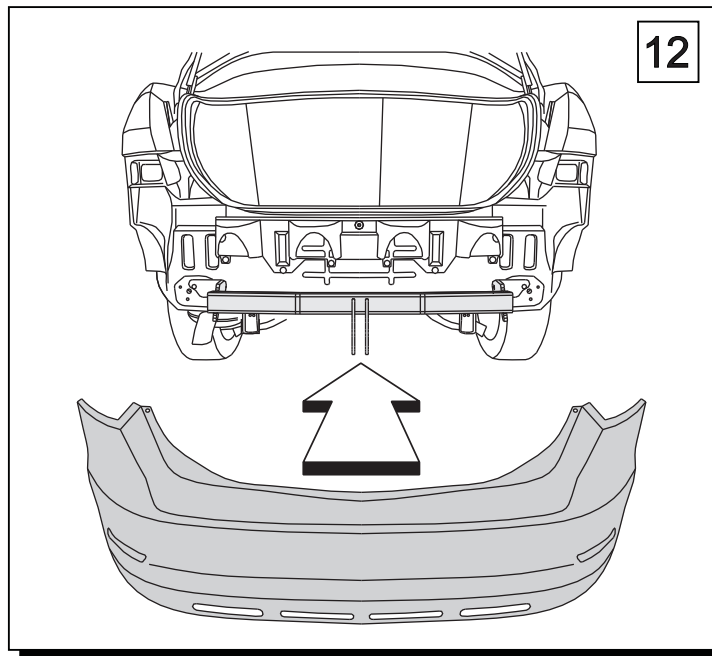
**1000 km**






1		x 1		5 M10x40	x 6
2		x 1		6 $\phi$ 30x $\phi$ 10.5x2.5 10 (DIN 9021)	x 6
3		x 1		7 $\phi$ 10.2	x 6
4		x 2			







	<b>M6</b> - 11 Nm	<b>M8</b> - 25 Nm
	<b>M10</b> - 50 Nm	<b>M12</b> - 87 Nm
	<b>M14</b> - 138 Nm	<b>M16</b> - 210 Nm

 **0 km** →  **1000 km**