

# PPUH AUTO-HAK Sp.J.

Henryk i Zbigniew Nejman  
ul. Słoneczna 16K 76-200 SŁUPSK  
POLAND

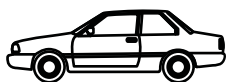
tel/fax +48 59 8 414 414; +48 59 8 414 413

e-mail: [office@autohak.com.pl](mailto:office@autohak.com.pl)

[www.autohak.com.pl](http://www.autohak.com.pl)



# AUTO-HAK



**FORD MONDEO 4D (Mk4)  
FORD MONDEO TURNIER  
KOMBI (Mk4)**

Cat. no:

**C50**



05.2007 → 09.2014



E20-55R-01 4157



11,6 kN



R=2120 kg



S=80 kg



1h



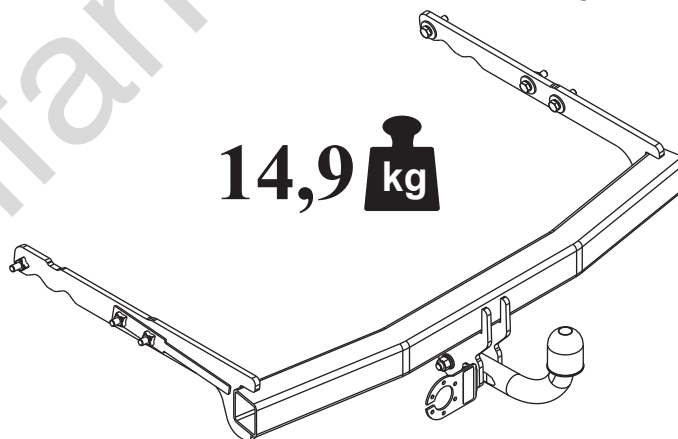
4D



KOMBI



14,9 kg



M6 - 11 Nm  
M10 - 50 Nm  
M14 - 138 Nm

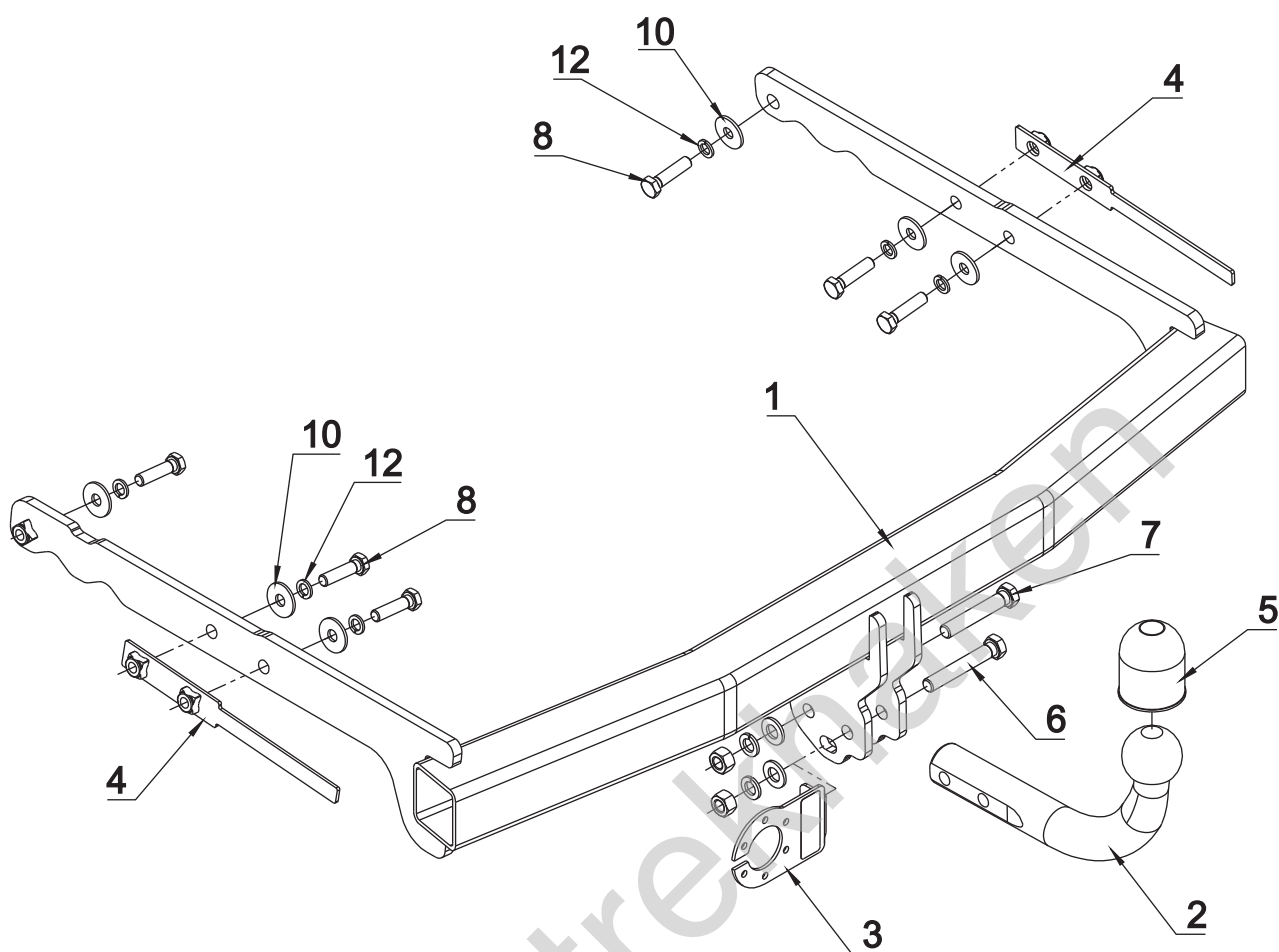
M8 - 25 Nm  
M12 - 87 Nm  
M16 - 210 Nm

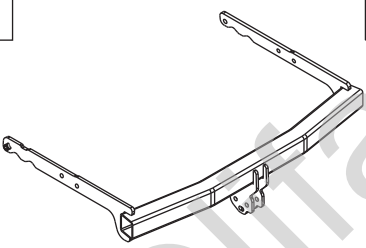
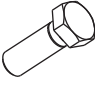







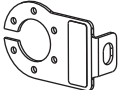
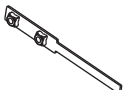



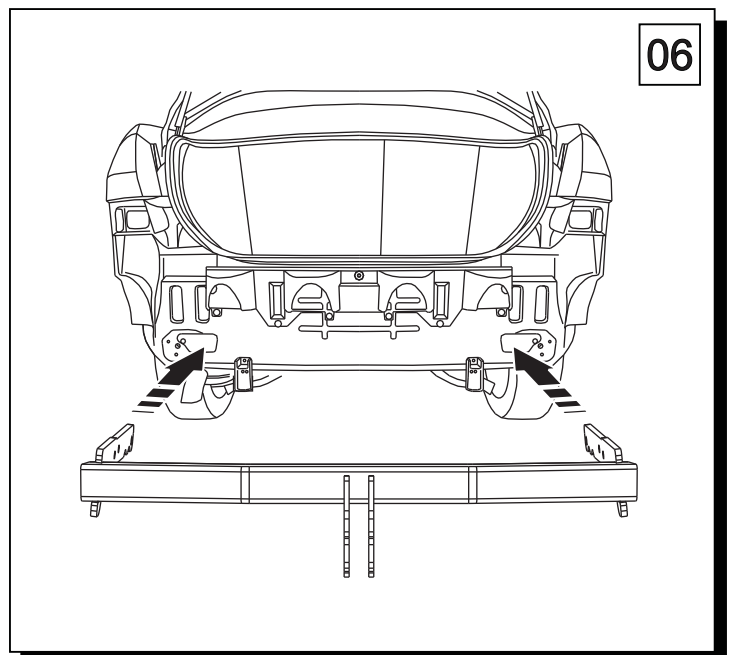
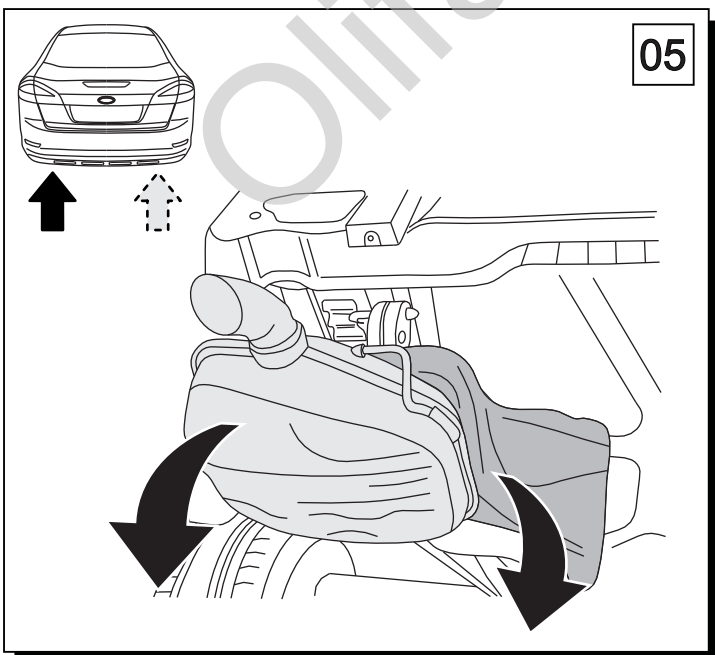
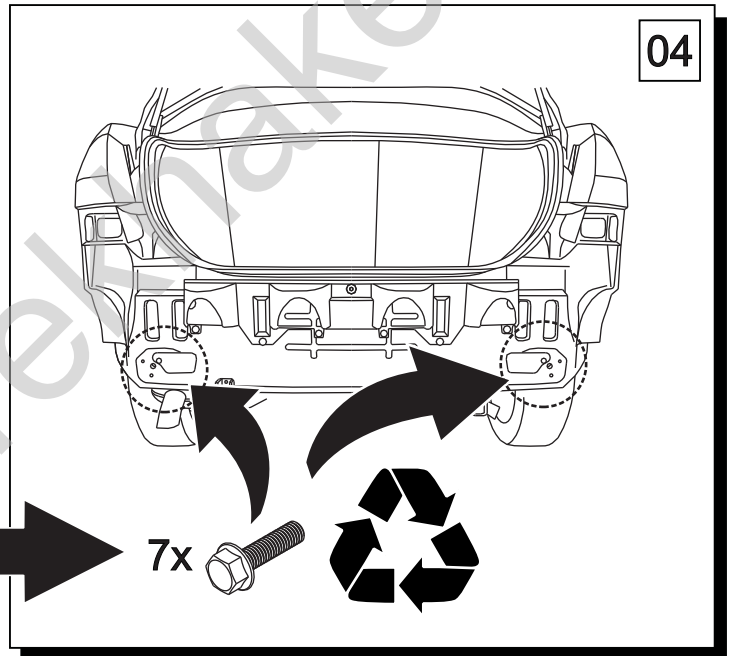
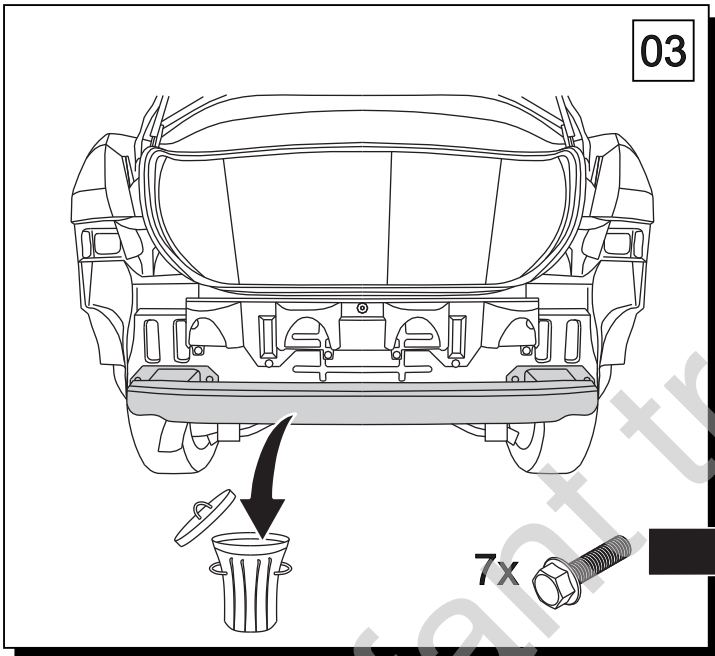
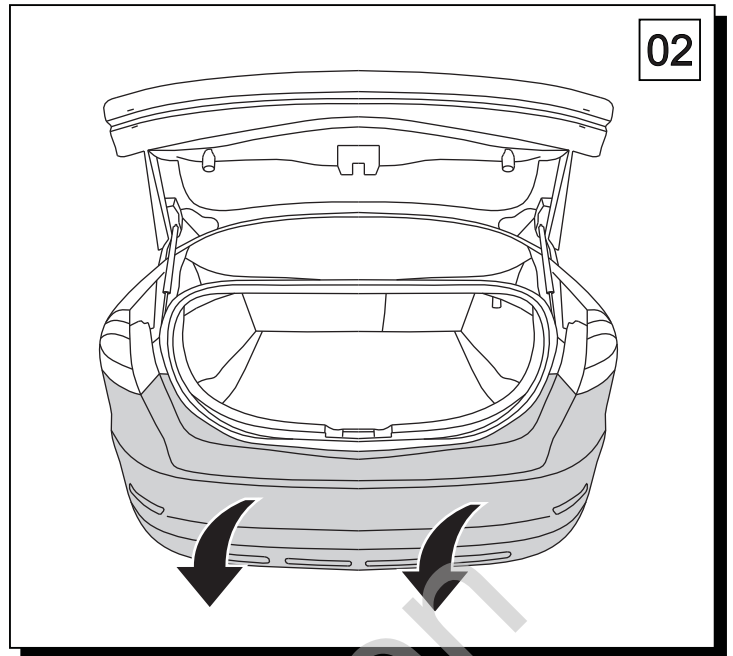
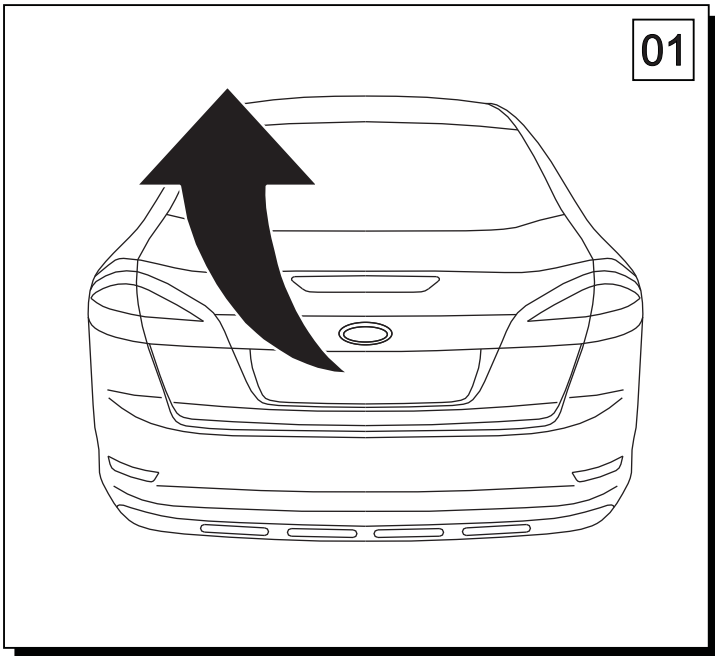
0 km →

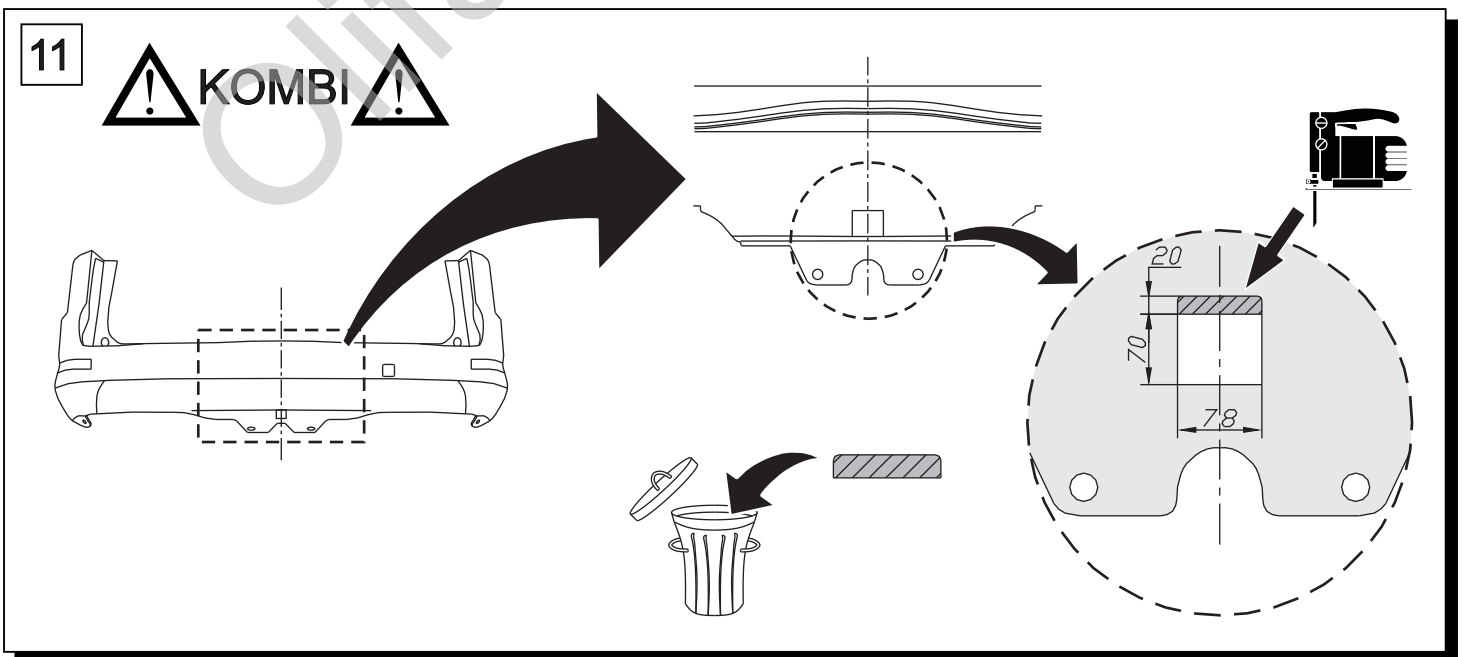
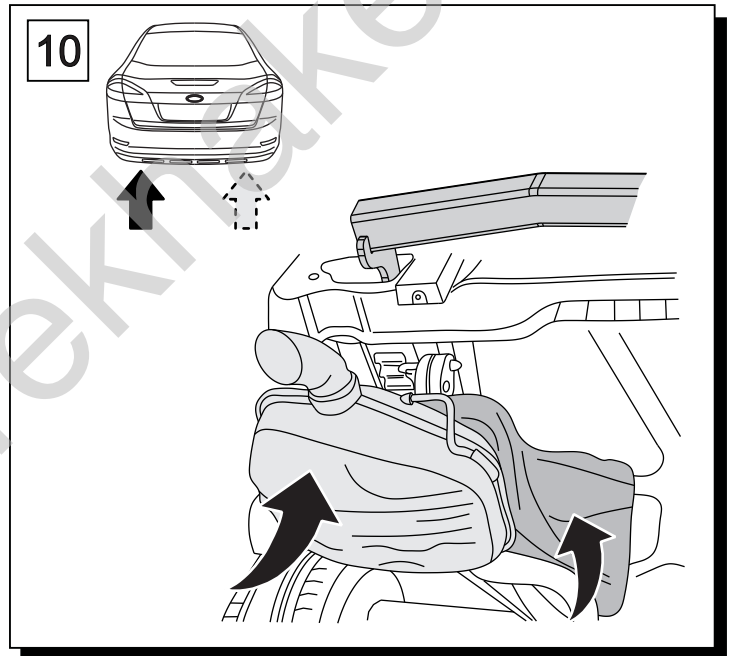
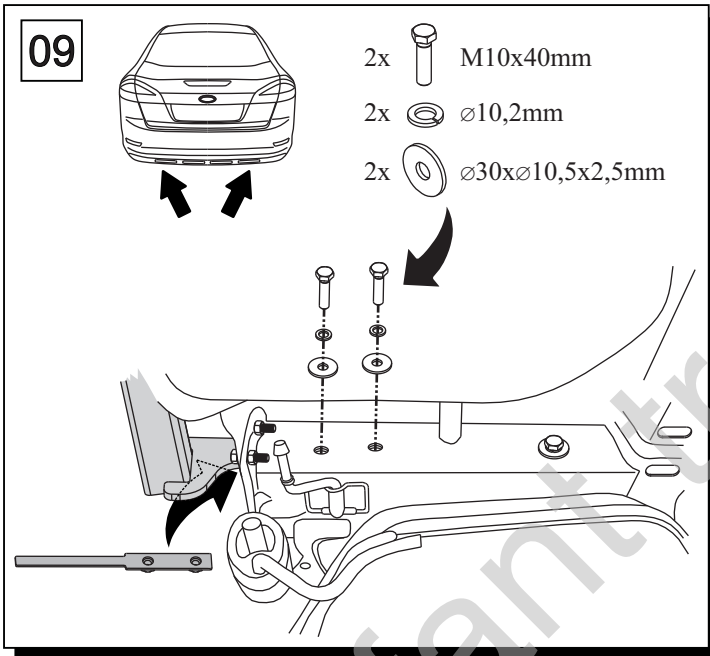
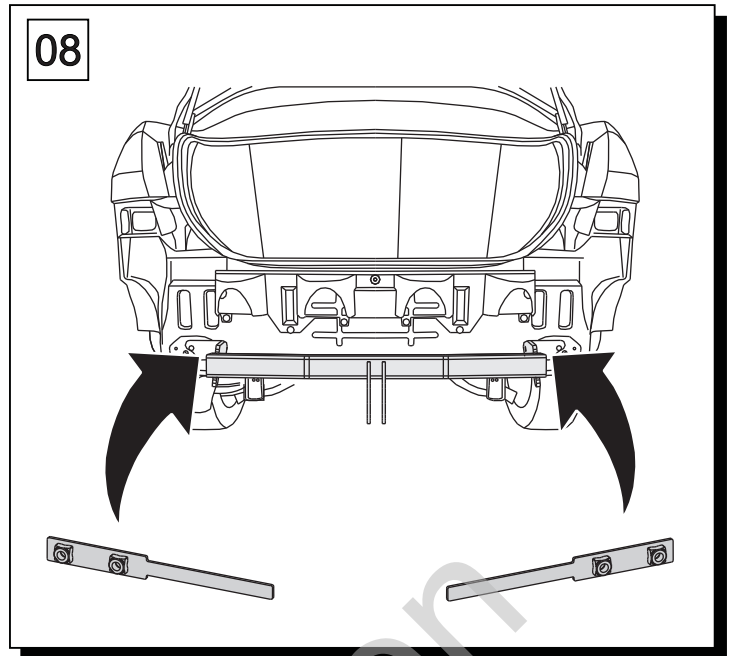
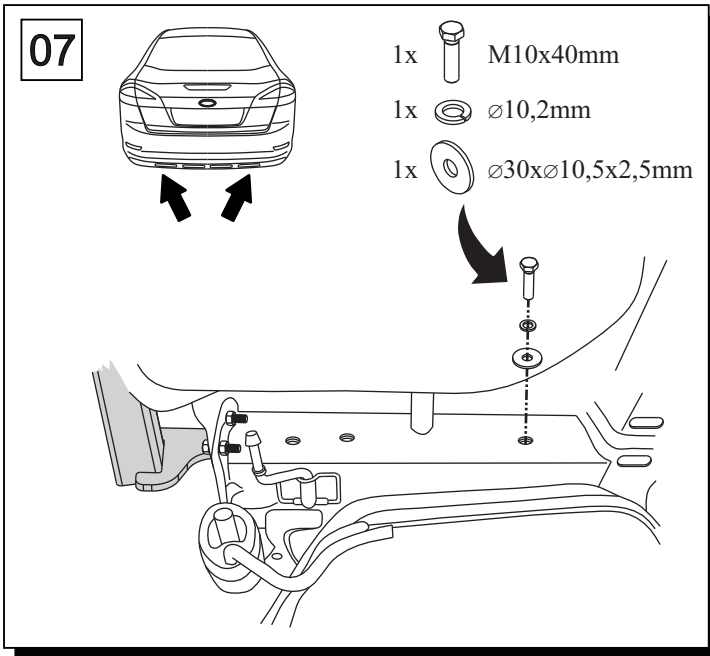


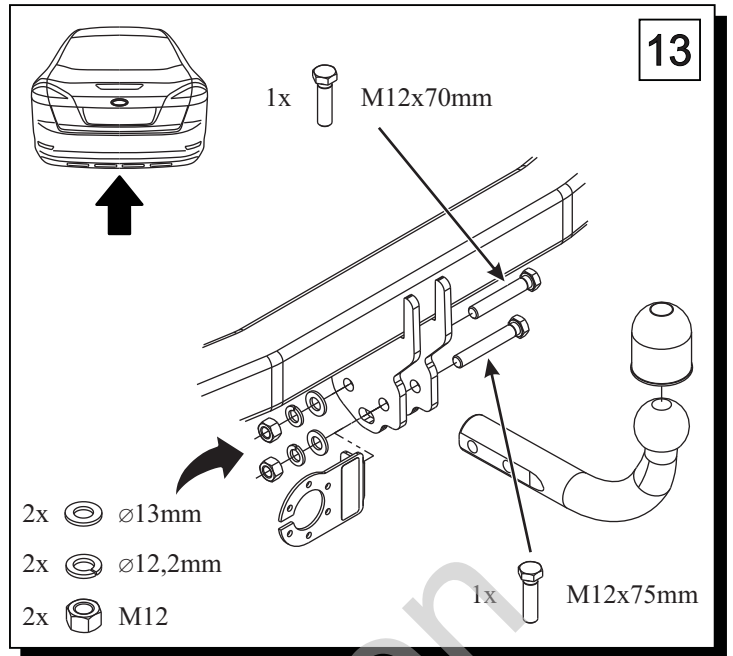
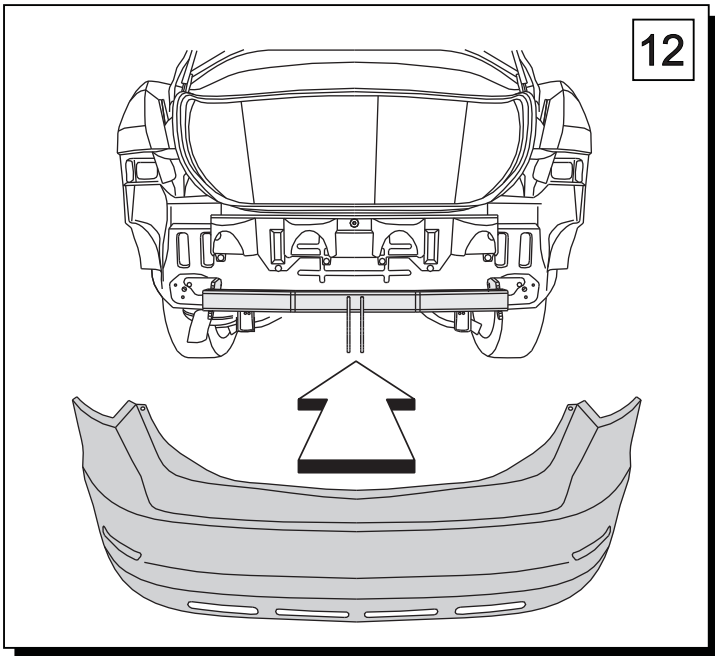
1000 km



<b>1</b>		<b>x 1</b>		<b>6</b> M12x75	<b>x 1</b>
				<b>7</b> M12x70	<b>x 1</b>
				<b>8</b> M10x40	<b>x 6</b>
				<b>9</b> $\varnothing$ 13	<b>x 2</b>
				<b>10</b> $\varnothing$ 30x $\varnothing$ 10.5x2.5 10 (DIN 9021)	<b>x 6</b>
<b>2</b>		<b>x 1</b>		<b>11</b> $\varnothing$ 12.2	<b>x 2</b>
		Art.nr-KL1C50		<b>12</b> $\varnothing$ 10.2	<b>x 6</b>
<b>3</b>		<b>x 1</b>		<b>13</b> M12	<b>x 2</b>
		Art.nr-BL1C50			
<b>4</b>		<b>x 2</b>			
<b>5</b>		<b>x 1</b>			







<b>M6</b>	-	11 Nm	<b>M8</b>	-	25 Nm
<b>M10</b>	-	50 Nm	<b>M12</b>	-	87 Nm
<b>M14</b>	-	138 Nm	<b>M16</b>	-	210 Nm

0 km → 1000 km