

# AUTO-HAK Sp. z o.o.

ul. Słoneczna 16K 76-200 SŁUPSK  
POLAND

tel/fax +48 59 8 414 414; +48 59 8 414 413

e-mail: [office@autohak.com.pl](mailto:office@autohak.com.pl)

[www.autohak.com.pl](http://www.autohak.com.pl)



# AUTO-HAK



## FORD FOCUS II TURNIER

KOMBI (Mk2), ~~Sport 2.0T~~

Cat. no:

**C47A**



02.2005 → 02.2011



E20-55R-01 4721



2h

**D**

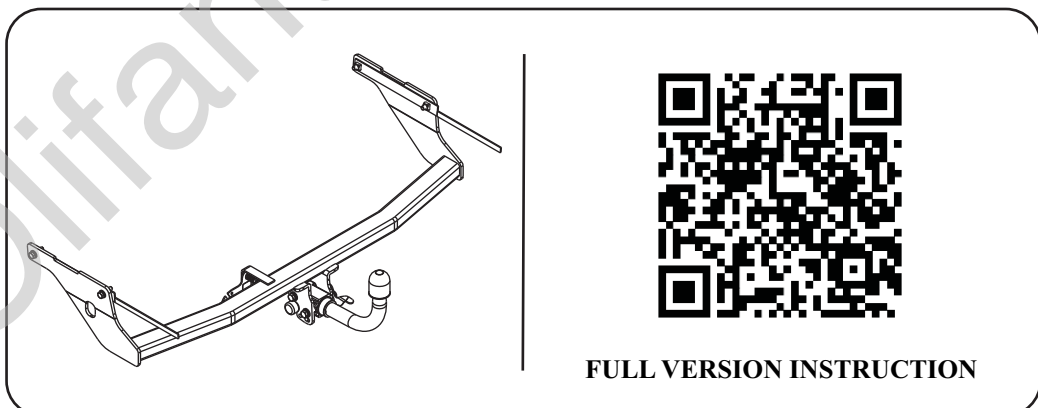
9,18kN



R=1800 kg



S=75 kg



FULL VERSION INSTRUCTION



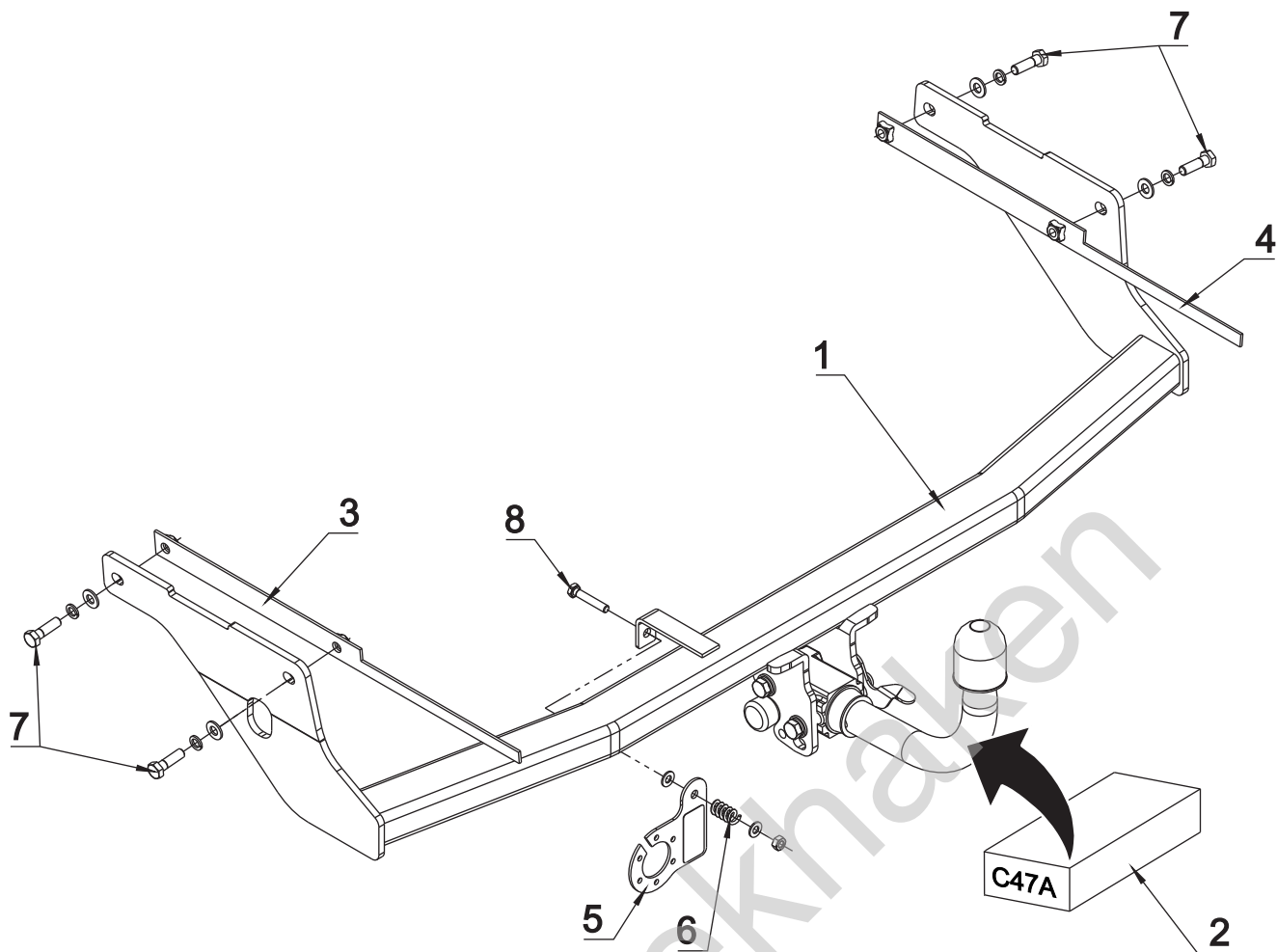
śruba	Nm	M6	M8	M10	M12	M14	M16
klasa 8.8		9,9	24	48	83	132	200
klasa 10.9		14	34	67	117	185	285

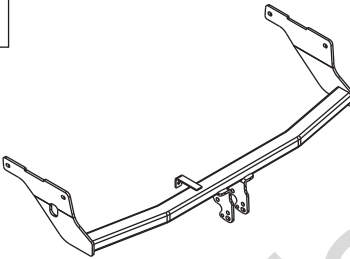





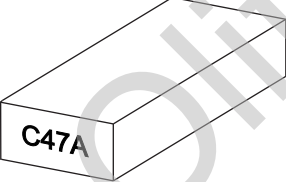
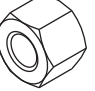
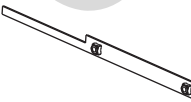
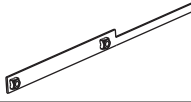

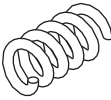


0 km →



1000 km



1		x1		7	M10x40	x4
				8	M8x45	x1
				9	∅ 10.5	x4
				10	∅ 8.5	x2
				11	∅ 10.2	x4
2		x1				
				12	M8	x1
3		x1				
4		x1				
						Art.nr-BL1C47A
5		x1				
6		x1				

