

# AUTO-HAK Sp. z o.o.

ul. Słoneczna 16K 76-200 SŁUPSK  
POLAND

tel/fax +48 59 8 414 414; +48 59 8 414 413

e-mail: [office@autohak.com.pl](mailto:office@autohak.com.pl)

[www.autohak.com.pl](http://www.autohak.com.pl)





# AUTO-HAK

## FORD TRANSIT / TOURNEO CONNECT dostawczy, VAN/delivery van, VAN


Nr kat.


C46

 09.2002 → 12.2008  
01.2009 → 12.2013

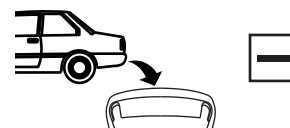
 E20 E20-55R-01 5333

 8,1 kN

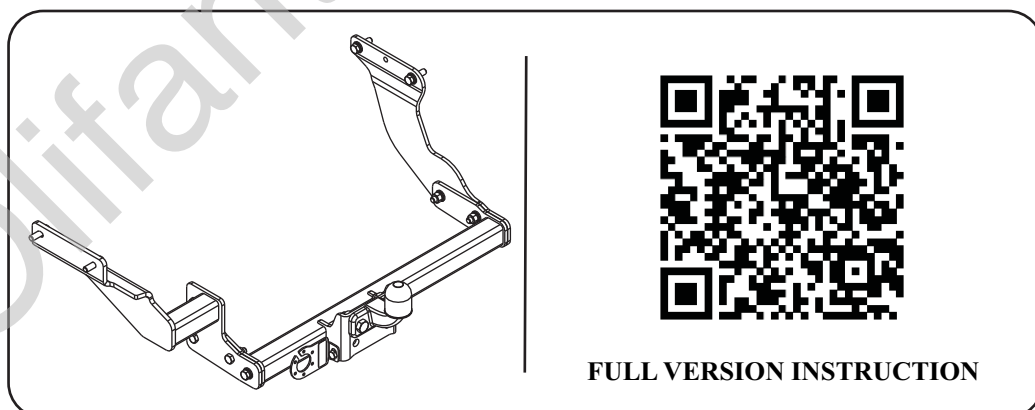
 R=1200 kg

 S=75 kg

 1h

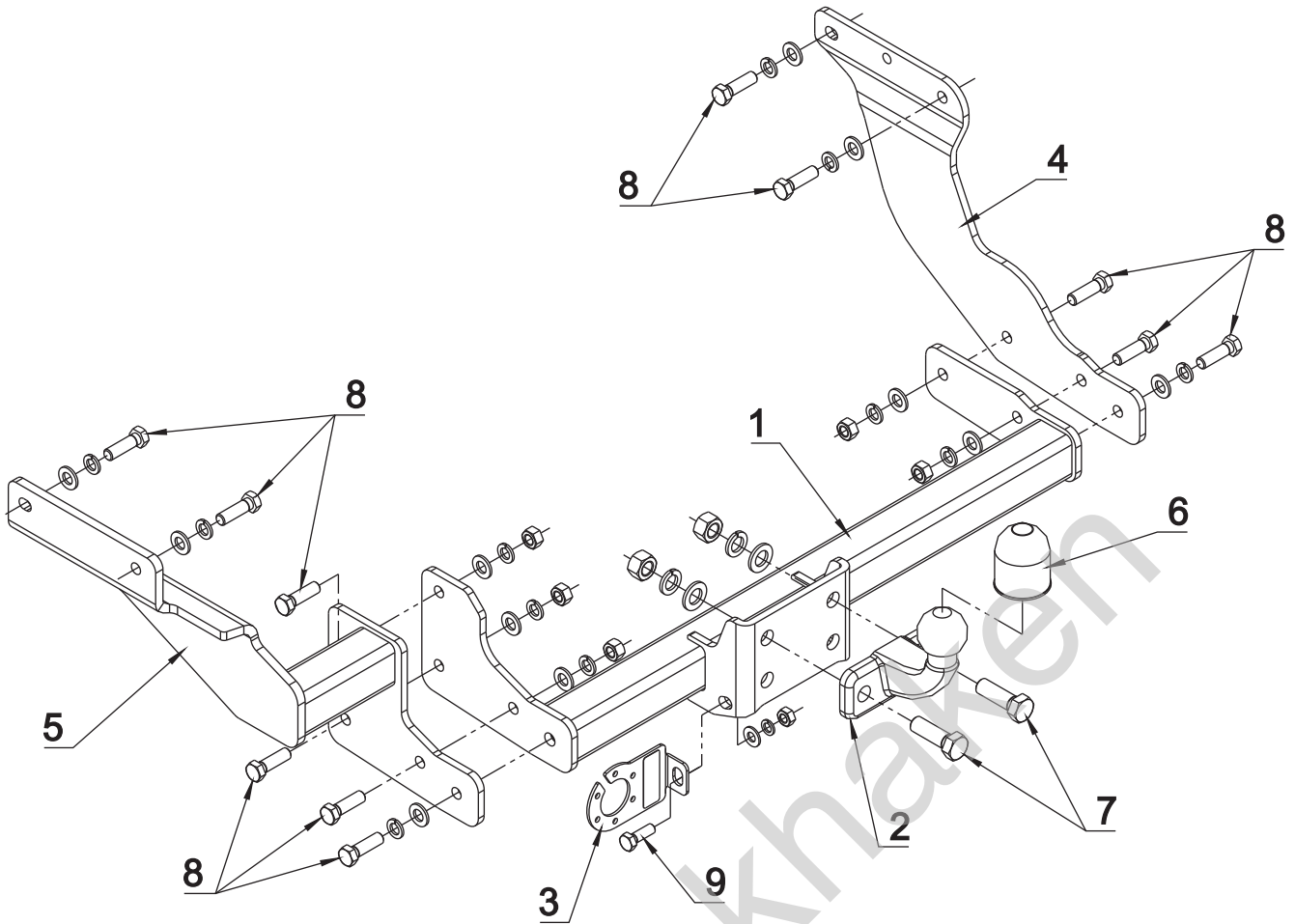
 -

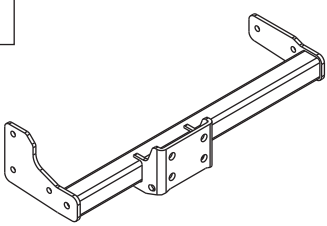




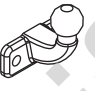
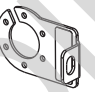
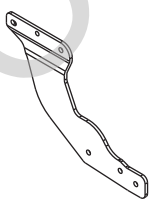
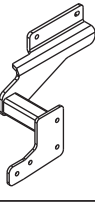

 -



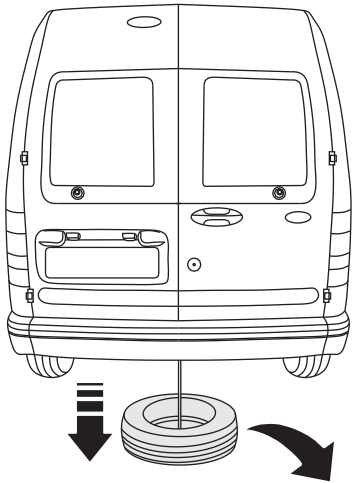
śruba	Nm	M6	M8	M10	M12	M14	M16
klasa 8.8		9,9	24	48	83	132	200
klasa 10.9		14	34	67	117	185	285

 0 km →  1000 km

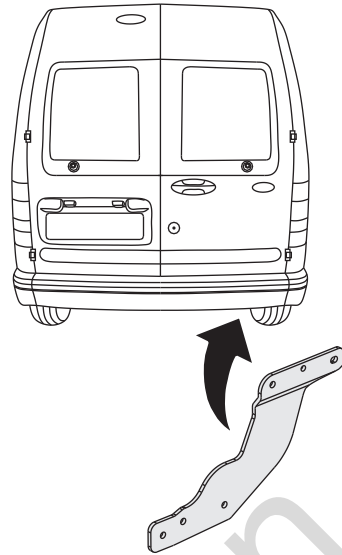


	<b>x1</b>		<b>7</b> M16x50	<b>x2</b>		
			<b>8</b> M12x40	<b>x11</b>		
			<b>9</b> M10x30	<b>x1</b>		
				<b>10</b> $\varnothing$ 17	<b>x2</b>	
				<b>11</b> $\varnothing$ 13	<b>x11</b>	
				<b>12</b> $\varnothing$ 10.5	<b>x1</b>	
				<b>13</b> $\varnothing$ 16.3	<b>x2</b>	
				<b>14</b> $\varnothing$ 12.2	<b>x11</b>	
					<b>15</b> $\varnothing$ 10.2	<b>x1</b>
					<b>16</b> M16	<b>x2</b>
	<b>17</b> M12	<b>x5</b>				
	<b>18</b> M10	<b>x1</b>				
	<b>x1</b> Art.nr-KL1C46					
	<b>x1</b> Art.nr-BL1C46					
	<b>x1</b>					
	<b>x1</b>					
	<b>x1</b>					

01






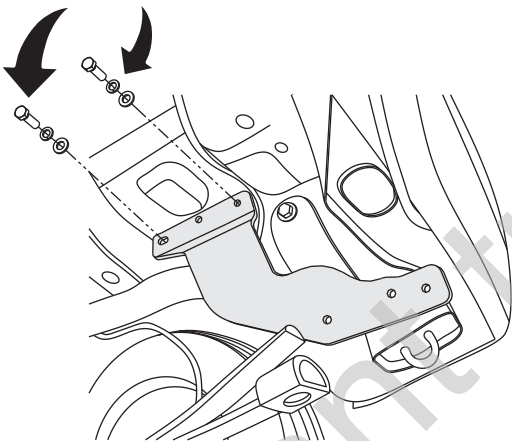
02



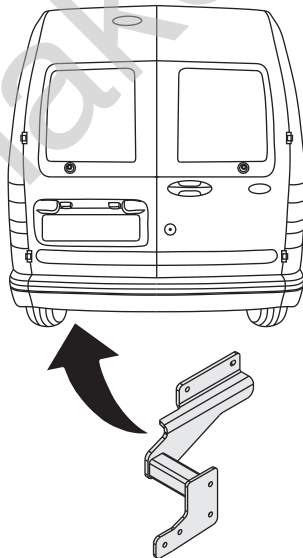
03



- 2x  M12x40mm
- 2x   $\varnothing 12,2\text{mm}$
- 2x   $\varnothing 13\text{mm}$



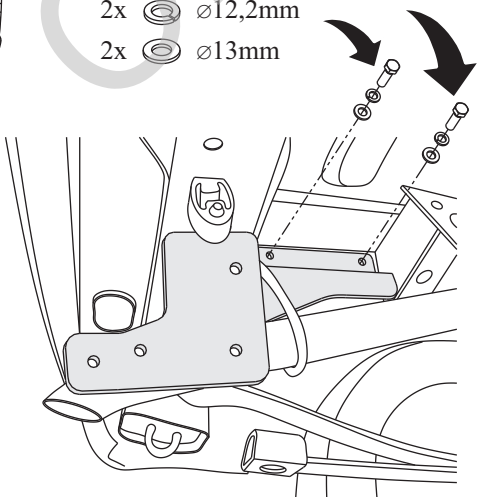
04



05



- 2x  M12x40mm
- 2x   $\varnothing 12,2\text{mm}$
- 2x   $\varnothing 13\text{mm}$



06

