

FITTING INSTRUCTION

Clamp mark in acc. with		Cables joining
ISO	PN	
1	L	Left directional lights
2	+	Rear fog lights
3	31	Ground
4	R	Right directional lights
5	58R	Right side parking lights
6	54	Stoplights
7	58L	Left side parking lights

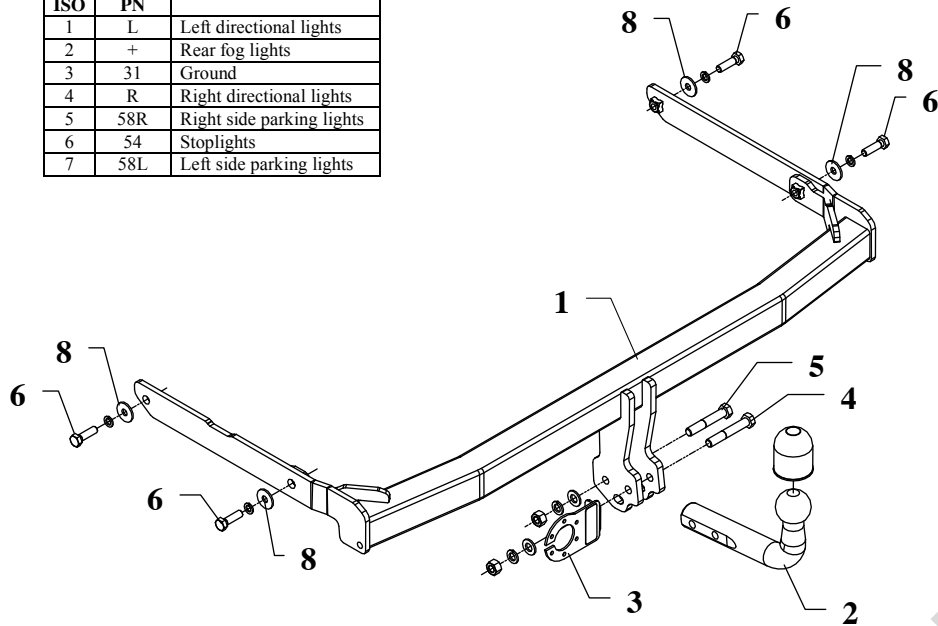


Fig. 1

This towbar is designed to assembly in following cars: **FORD FIESTA, 3/5 doors, VAN, except Sport/ST150** produced since 05.2002 till 09.2005 and since 10.2005 till 08.2008, catalogue number **C42** and is prepared to tow trailers max total weight **900 kg** and max vertical load **50 kg**.

From manufacturer

Thank you for buying our product. Their reliability has been confirmed in many tests. Reliability of towbar depends also on correct assembly and right operation. For this reasons we kindly ask to read carefully this instruction and apply to hints.

The towbar should be install in points described by a car producer.

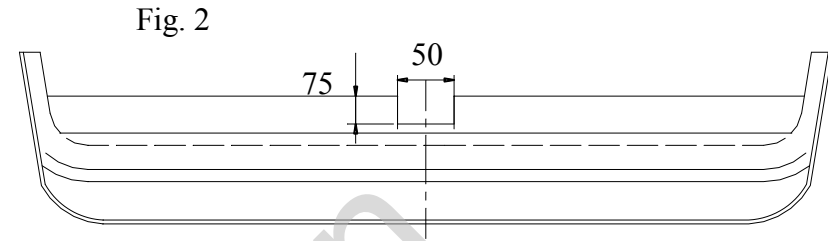


Fig. 2

The instruction of the assembly

1. Disassemble the rear bumper.
2. Slide the towbar (pos. 1) to the chassis member and fit it using M10x35mm (pos. 6) supplied with the towbar.
3. Cut the bumper according to the fig. 2 and then reassemble it
4. Reassemble the rear bumper.
5. Position the ball of towbar (pos. 2) with socket plate (pos. 3) and fix with M12x75mm (pos 4) and M12x70mm (pos. 5) bolts supplied with the towbar.
6. Tighten all nuts and bolts according to the torque shown in the table.
7. Connect the electric wires according to the instructions of the car.
8. Complete the paint cover of towbar (during the mounting paint cover could be destroyed).

Torque settings for nuts and bolts (8,8):

M6 - 11 Nm	M8 - 25 Nm	M10 - 50 Nm
M12 - 87 Nm	M14 - 138 Nm	M16 - 210 Nm

NOTE

After installation of the towing hitch you should get adequate note in registration book (at authorised service station).The car should be equipped with:

- Indicators
- Tow mirrors

Check all bolts and nuts after **1000km** of exploitation. The ball of towbar must be always kept clear and conserve with a grease.

Towbar accessories:

Pos. 1 Main bar PCS.: 1	Pos. 4 Bolt 8,8 B M12x75mm PCS.: 1	Pos. 8 Plain washer ø30xø10,5x2,5mm PCS.: 4
Pos. 2 Tow ball PCS.: 1	Pos. 5 Bolt 8,8 B M12x70mm PCS.: 1	Pos. 9 Spring washer ø12,2mm PCS.: 2
Pos. 3 Socket plate PCS.: 1	Pos. 6 Bolt 8,8 B M10x35mm PCS.: 4	Pos. 10 Spring washer ø10,2mm PCS.: 4
	Pos. 7 Plain washer ø13mm PCS.: 2	Pos. 11 Nut 8 B M12 PCS.: 2
		Pos. 12 Ball's cover PCS.: 1



PPUH AUTO-HAK Sp. J.

Produkcja Zaczepów Kulowych
Henryk i Zbigniew Nejman
76-200 SŁUPSK ul. Słoneczna 16K
tel/fax (059) 8-414-414; 8-414-413
E-mail: office@autohak.com.pl
www.autohak.com.pl

Towing hitch (without electrical set)

Class: **A50-X** Cat. no. **C42**

Designed for:

Manufacturer: **FORD**

Model: **FIESTA**

Type: **3/5 doors VAN, except Sport/ST150**

produced since 05.2002 till 09.2005 and
since 10.2005 till 08.2008

Technical data:

D-value: 5,60 kN

maximum trailer weight: **900 kg**

maximum vertical cup mass: **50 kg**

Approval number acc. to regulations EKG/ONZ 55.01: E20-55R-01 0771

Foreword

This towbar is design according to rules of safety traffic regulations. The towing hitch is a safety component and must be installed only by qualified personnel. Any alteration or conversion to the towing hitch is prohibited and would lead to cancellation of design certification. Remove insulating compound and underseal from vehicle (if present) in the area of the matting surfaces of the towing hitch. The vehicle manufacturer's specifications regarding trailer load and max. vertical cup load are decisive for driving, and values for the towing hitch must not be exceeded.

D-value formula:

$$\frac{\text{Max trailer weight [kg]} \times \text{Max vehicle weight [kg]}}{\text{Max trailer weight [kg]} + \text{Max vehicle weight [kg]}} \times \frac{9,81}{1000} = D \text{ [kN]}$$