

# PPUH AUTO-HAK Sp.J.

Henryk i Zbigniew Nejman  
ul. Słoneczna 16K 76-200 SŁUPSK  
POLAND

tel/fax +48 59 8 414 414; +48 59 8 414 413

e-mail: [office@autohak.com.pl](mailto:office@autohak.com.pl)

[www.autohak.com.pl](http://www.autohak.com.pl)



# AUTO-HAK



**FORD RANGER 4WD**

Cat. no:

**C41**



03.1999 → 10.2006

11.2006 → 12.2011

e20

e20\*94/20\*0430\*00

**D**

14,21 kN



**2h**



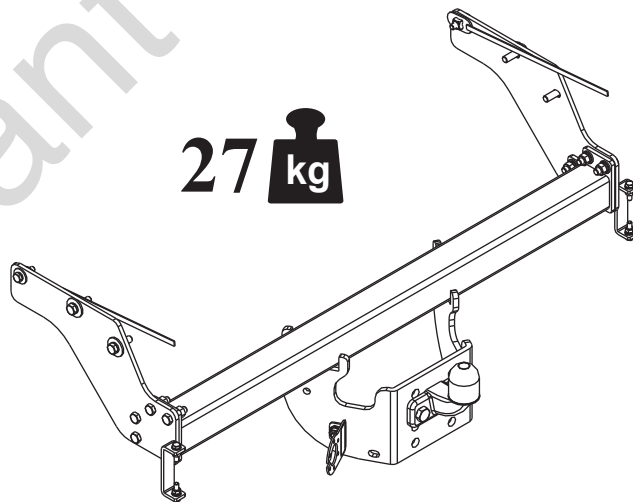
R=2800 kg



S=115 kg



**27 kg**



M6 - 11 Nm  
M10 - 50 Nm  
M14 - 138 Nm

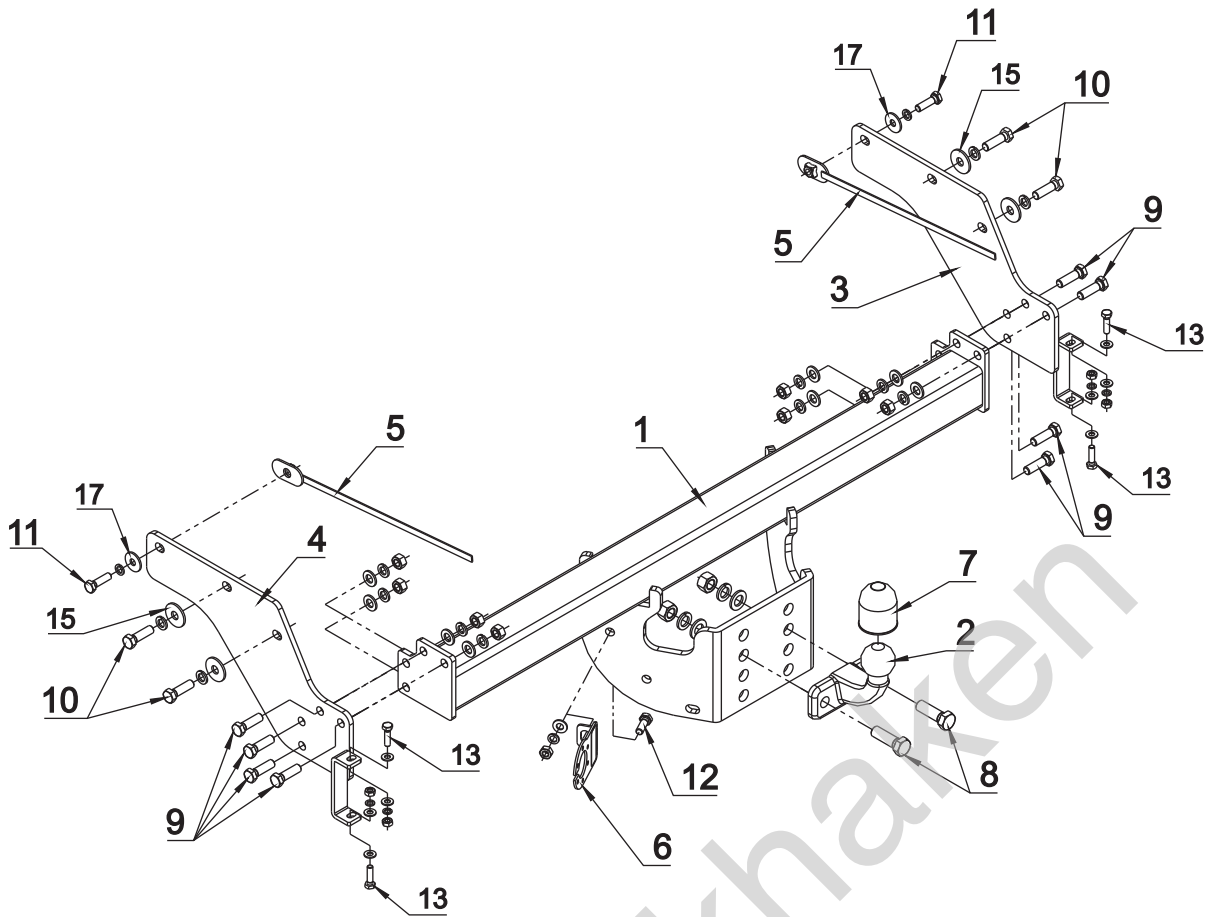
M8 - 25 Nm  
M12 - 87 Nm  
M16 - 210 Nm



0 km →



1000 km



1		x1		8 M16x50	x2
2		x1		9 M12x40	x8
3		x1		10 M12x1,5x40	x4
4		x1		11 M10x35	x2
5		x2		12 M10x30	x1
6		x1		13 M8x30	x4
7		x1		14 $\phi$ 17	x2
				15 $\phi$ 37x $\phi$ 13x3 13 (DIN 9021)	x4
				16 $\phi$ 13	x8
				17 $\phi$ 30x $\phi$ 10.5x2.5 10 (DIN 9021)	x2
				18 $\phi$ 10.5	x1
				19 $\phi$ 8.4	x8
				20 $\phi$ 16.3	x2
				21 $\phi$ 12.2	x12
				22 $\phi$ 10.2	x3
				23 $\phi$ 8.2	x4
				24 M16	x2
				25 M12	x8
				26 M10	x1
				27 M8	x4

