

# AUTO-HAK Sp. z o.o.

ul. Słoneczna 16K 76-200 SŁUPSK  
POLAND

tel/fax +48 59 8 414 414; +48 59 8 414 413

e-mail: [office@autohak.com.pl](mailto:office@autohak.com.pl)

[www.autohak.com.pl](http://www.autohak.com.pl)



# AUTO-HAK



## FORD TRANSIT skrzynia



koła podwójne



koła pojedyncze

Nr kat.

**C37**



05.2000 → 11.2009

12.2009 → 12.2014



**2h**



E20-55R-02 6645



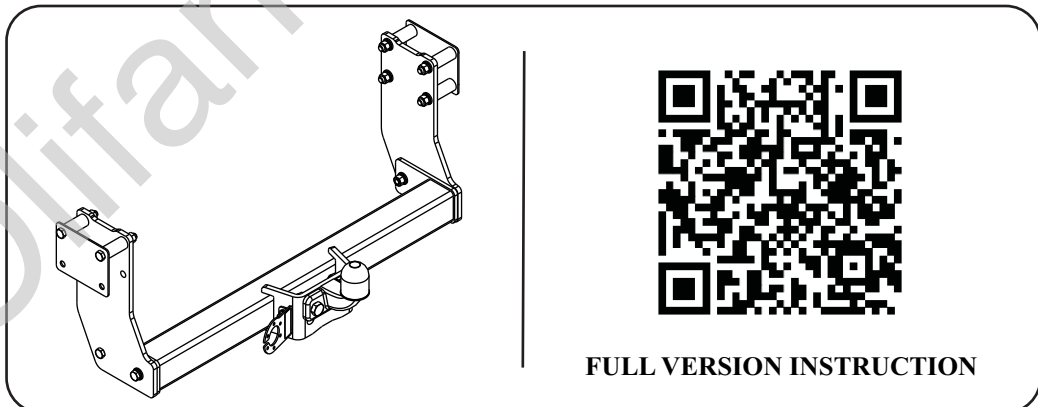
19,8 kN



R=3500 kg



S=150 kg



FULL VERSION INSTRUCTION



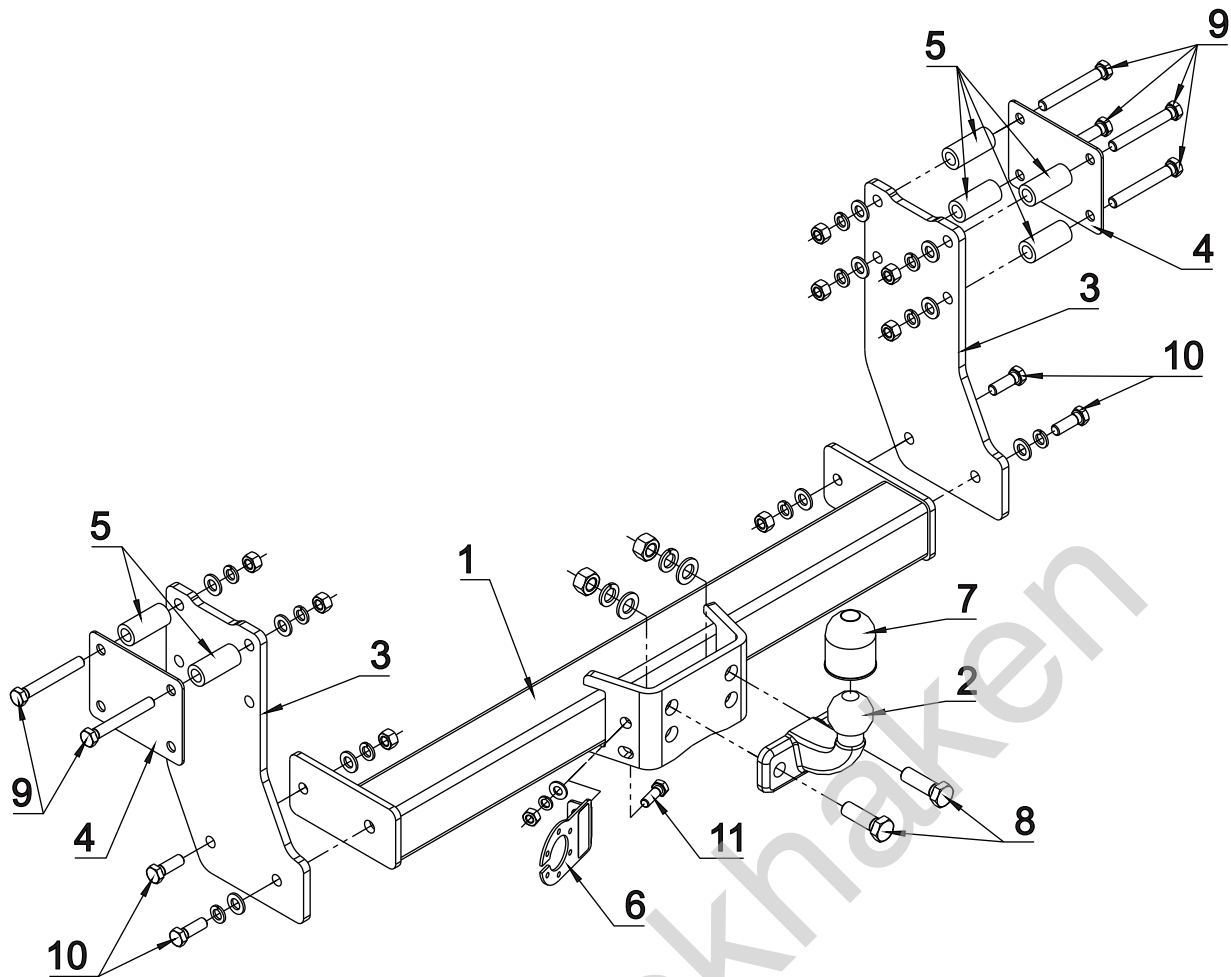
| śruba      | Nm | M6  | M8 | M10 | M12 | M14 | M16 |
|------------|----|-----|----|-----|-----|-----|-----|
| klasa 8.8  |    | 9,9 | 24 | 48  | 83  | 132 | 200 |
| klasa 10.9 |    | 14  | 34 | 67  | 117 | 185 | 285 |

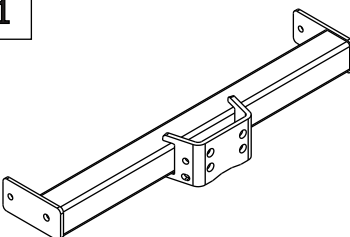

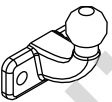
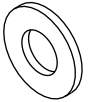
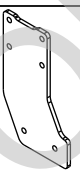

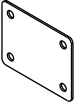

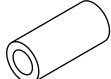
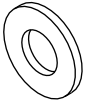
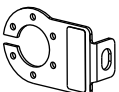

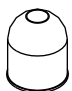




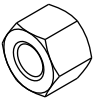


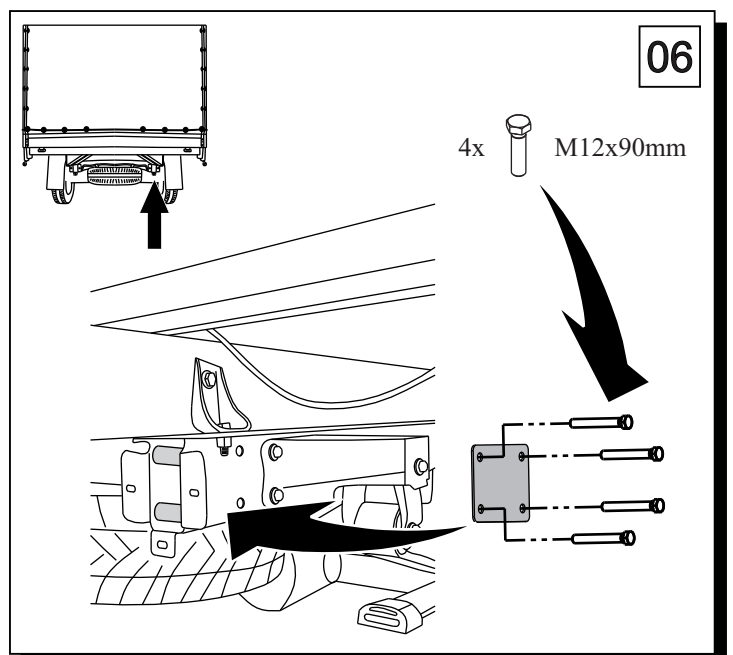
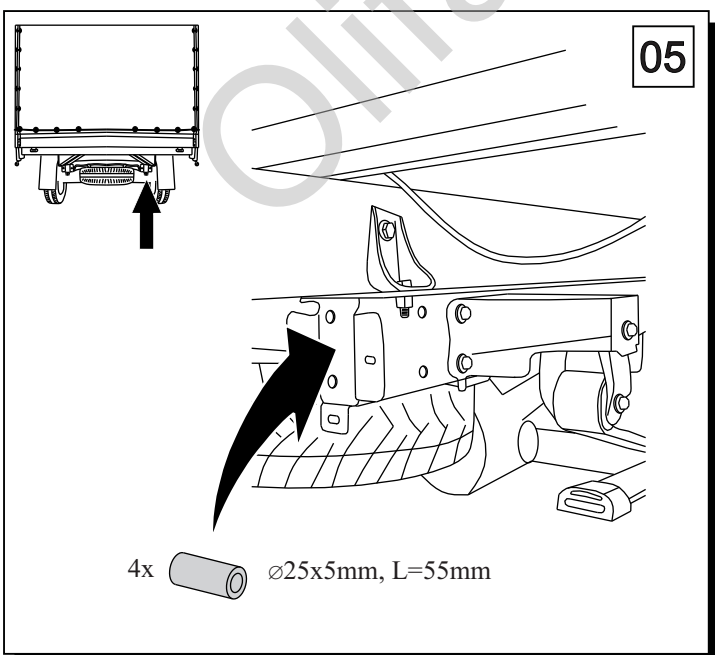
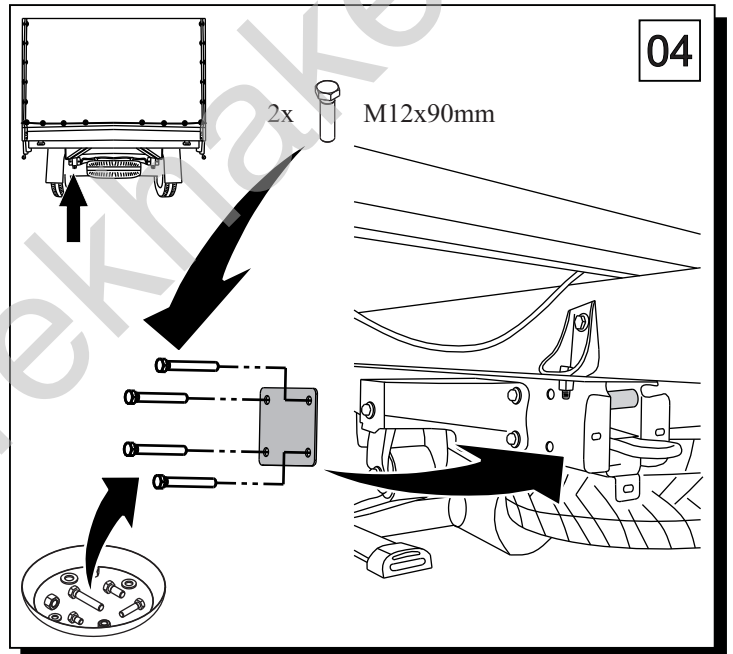
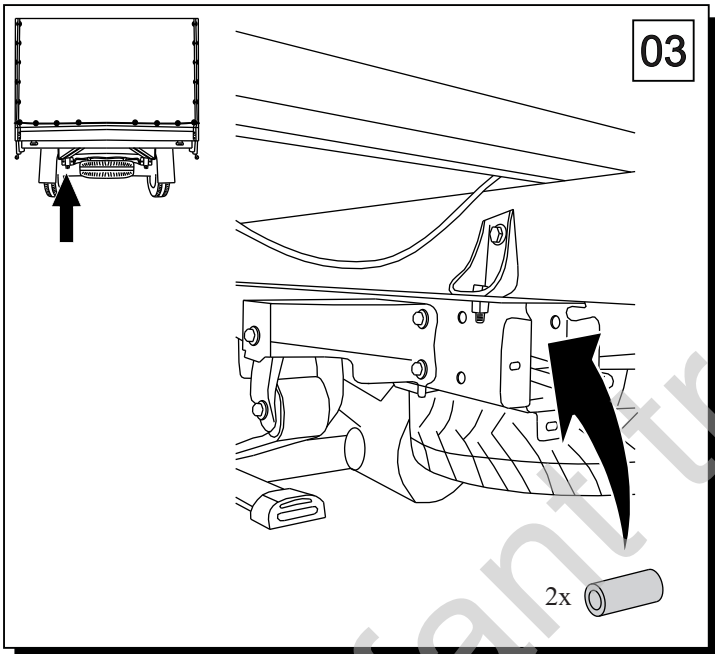
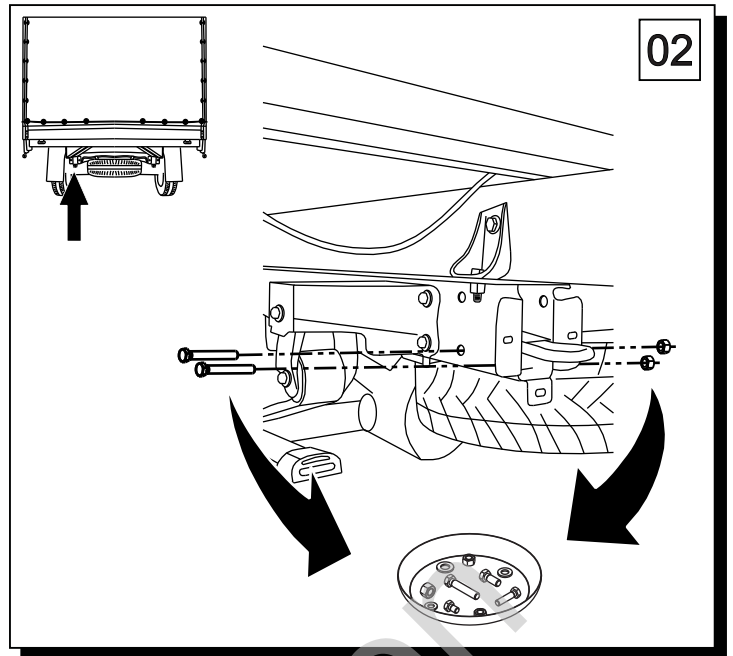
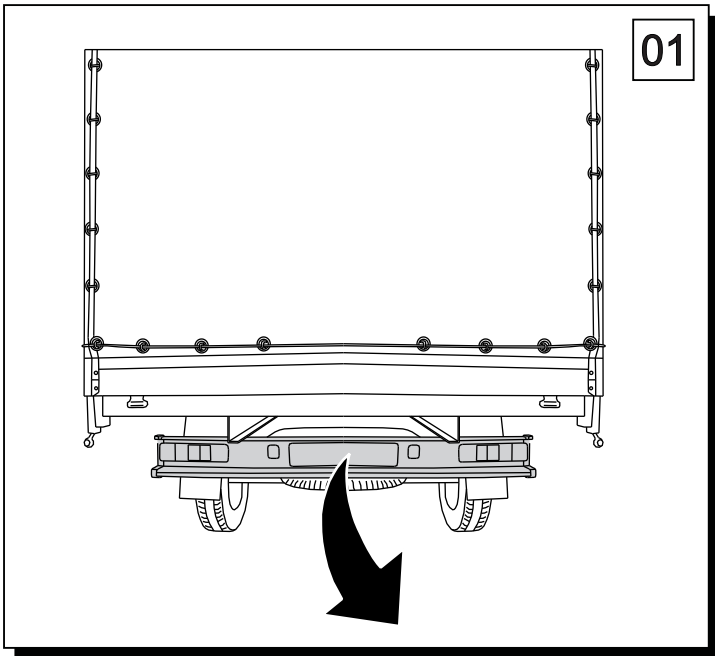
0 km →

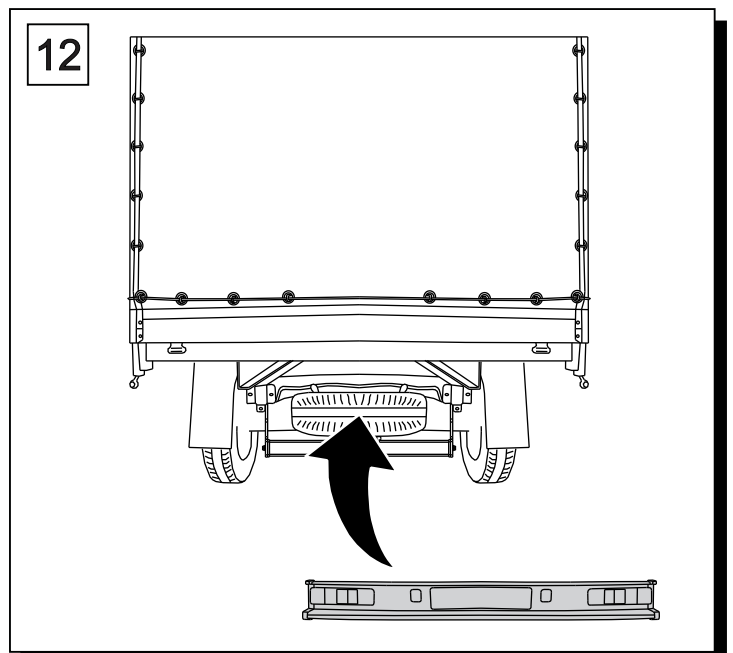
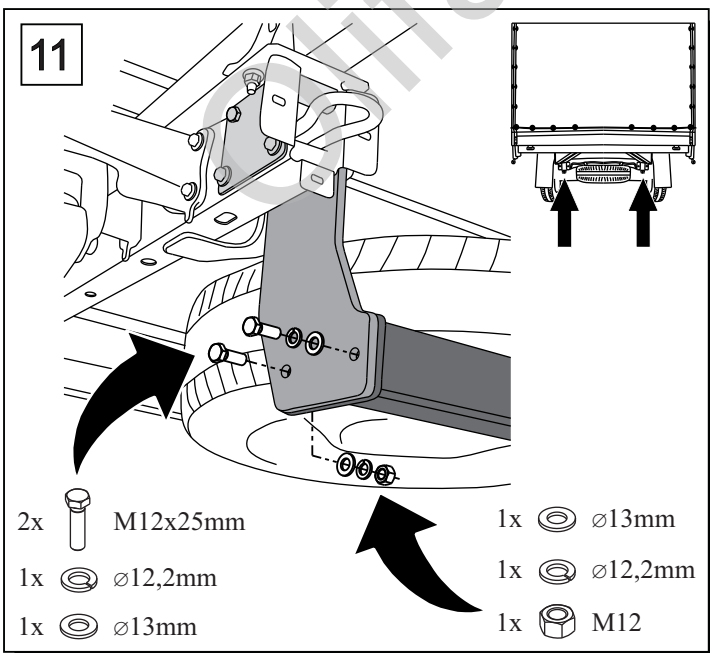
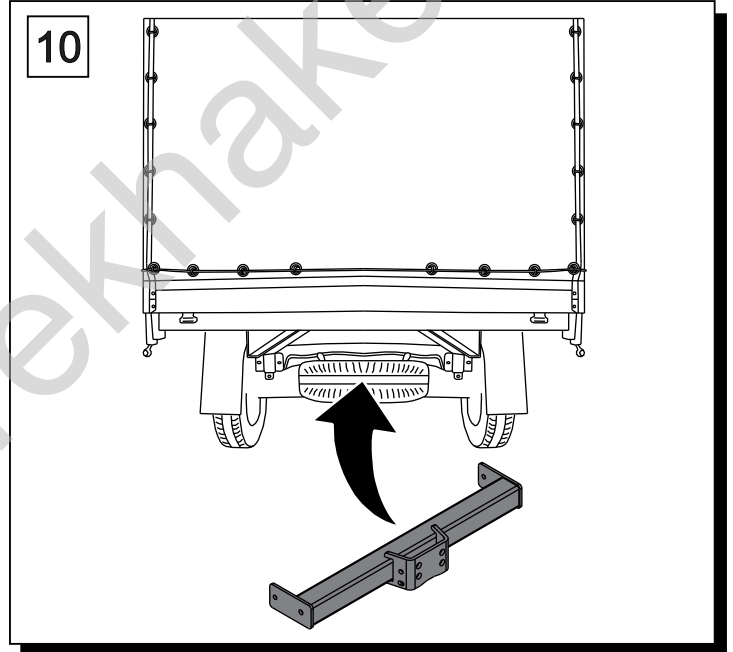
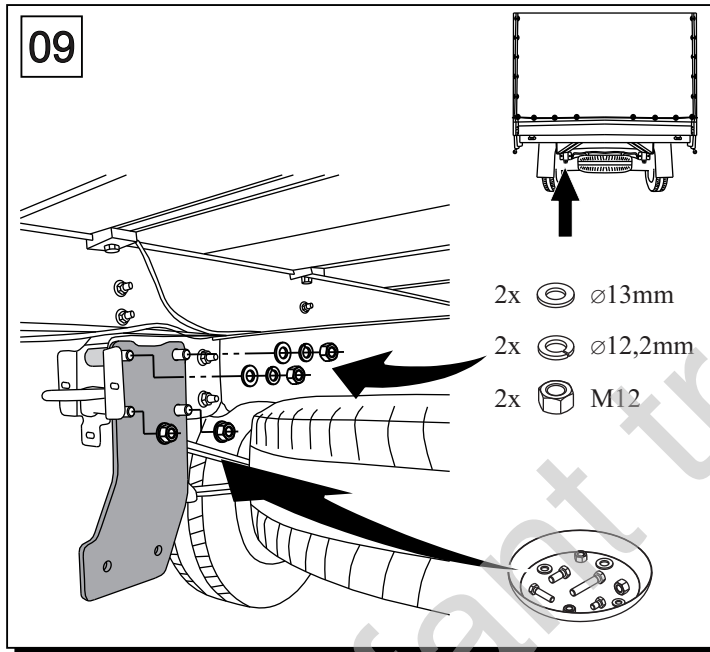
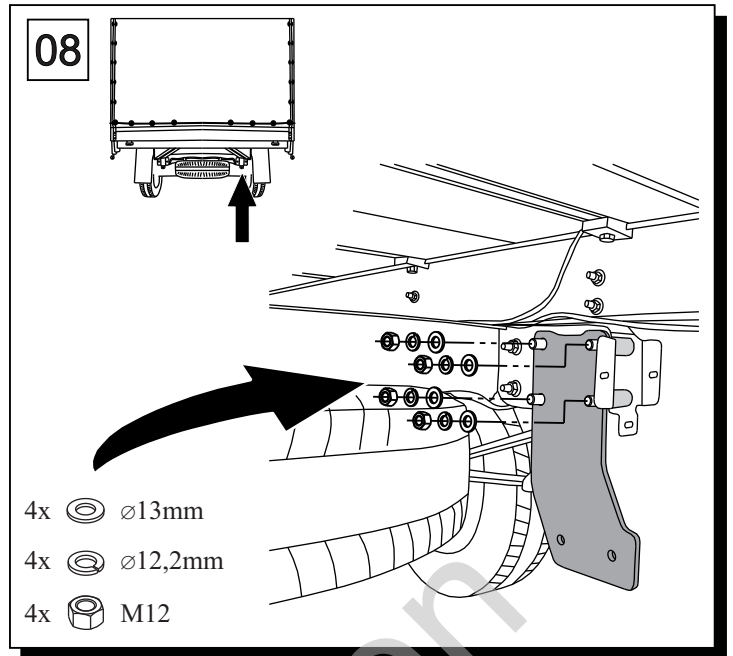
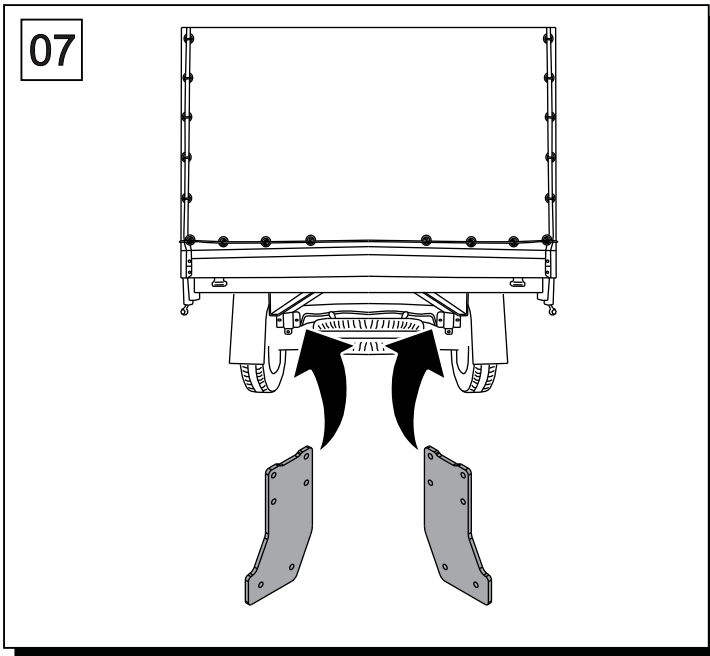


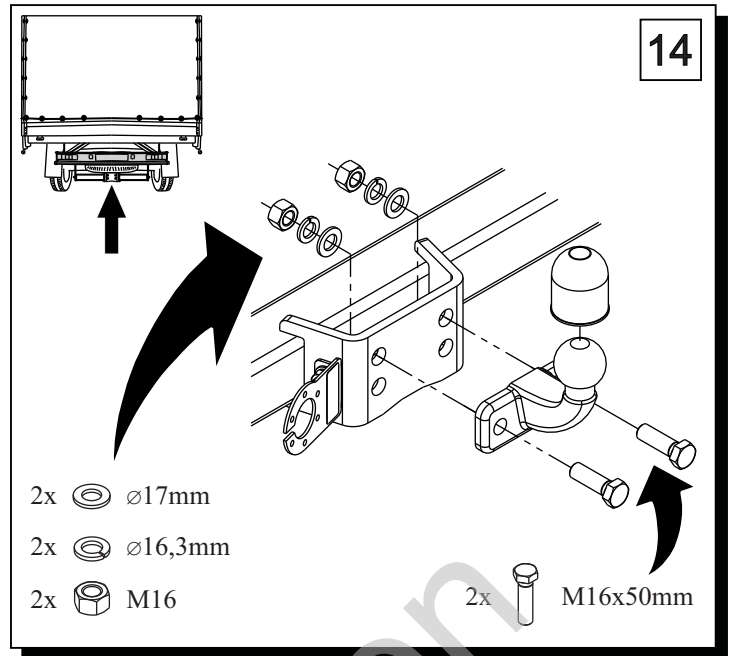
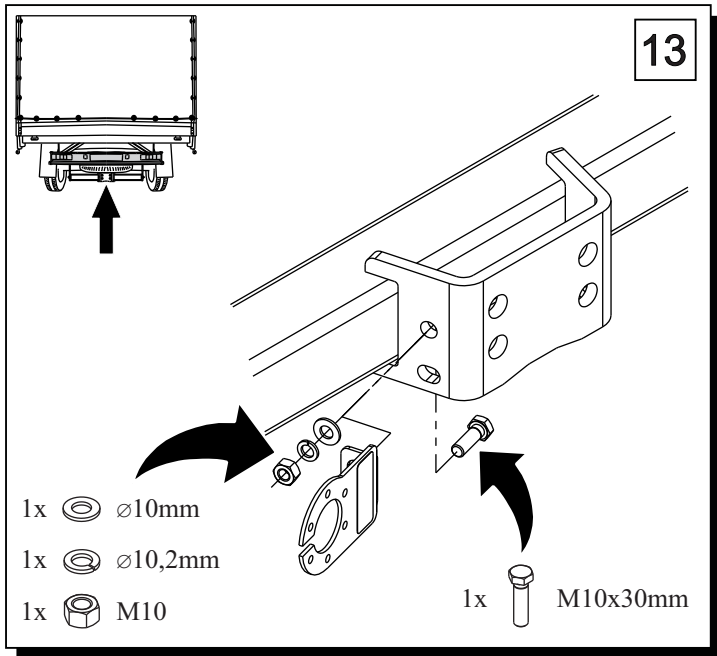
1000 km



|          |   |                              |   |                  |            |
|----------|---|------------------------------|---|------------------|------------|
| <b>1</b> |  | <b>x1</b>                    |  | <b>8</b> M16x50  | <b>x2</b>  |
| <b>2</b> |  | <b>x1</b><br>Art.nr-KL1C37   |  | <b>9</b> M12x90  | <b>x6</b>  |
| <b>3</b> |  | <b>x2</b>                    |  | <b>10</b> M12x35 | <b>x4</b>  |
| <b>4</b> |  | <b>x2</b>                    |  | <b>11</b> M10x30 | <b>x1</b>  |
| <b>5</b> |  | <b>x6</b><br>ø25x5mm, L=55mm |  | <b>12</b> ø 17   | <b>x2</b>  |
| <b>6</b> |  | <b>x1</b><br>Art.nr-BL1C37   |  | <b>13</b> ø 12   | <b>x10</b> |
| <b>7</b> |  | <b>x1</b>                    |  | <b>14</b> ø 10   | <b>x1</b>  |
|          |   |                              |  | <b>15</b> ø 16.3 | <b>x2</b>  |
|          |   |                              |  | <b>16</b> ø 12.2 | <b>x10</b> |
|          |   |                              |  | <b>17</b> ø 10.2 | <b>x1</b>  |
|          |   |                              |  | <b>18</b> M16    | <b>x2</b>  |
|          |   |                              |   | <b>19</b> M12    | <b>x8</b>  |
|          |   |                              |   | <b>20</b> M10    | <b>x1</b>  |







Olifant trekhaken