

# AUTO-HAK Sp. z o.o.

ul. Słoneczna 16K 76-200 SŁUPSK  
POLAND

tel/fax +48 59 8 414 414; +48 59 8 414 413

e-mail: [office@autohak.com.pl](mailto:office@autohak.com.pl)

[www.autohak.com.pl](http://www.autohak.com.pl)



# AUTO-HAK

## FORD MONDEO 4/5D Mk3, ~~ST-200~~

Nr kat.

**C36A**



11.2000 → 04.2007



E20-55R-01 4299



9,1 kN



R=1800 kg



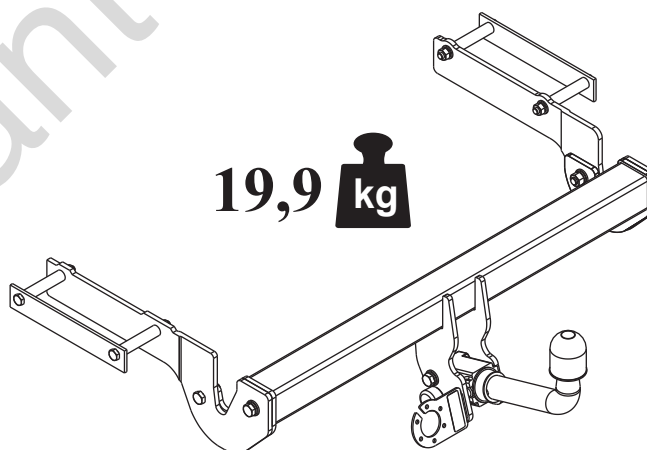
S=75 kg



2h



19,9 kg



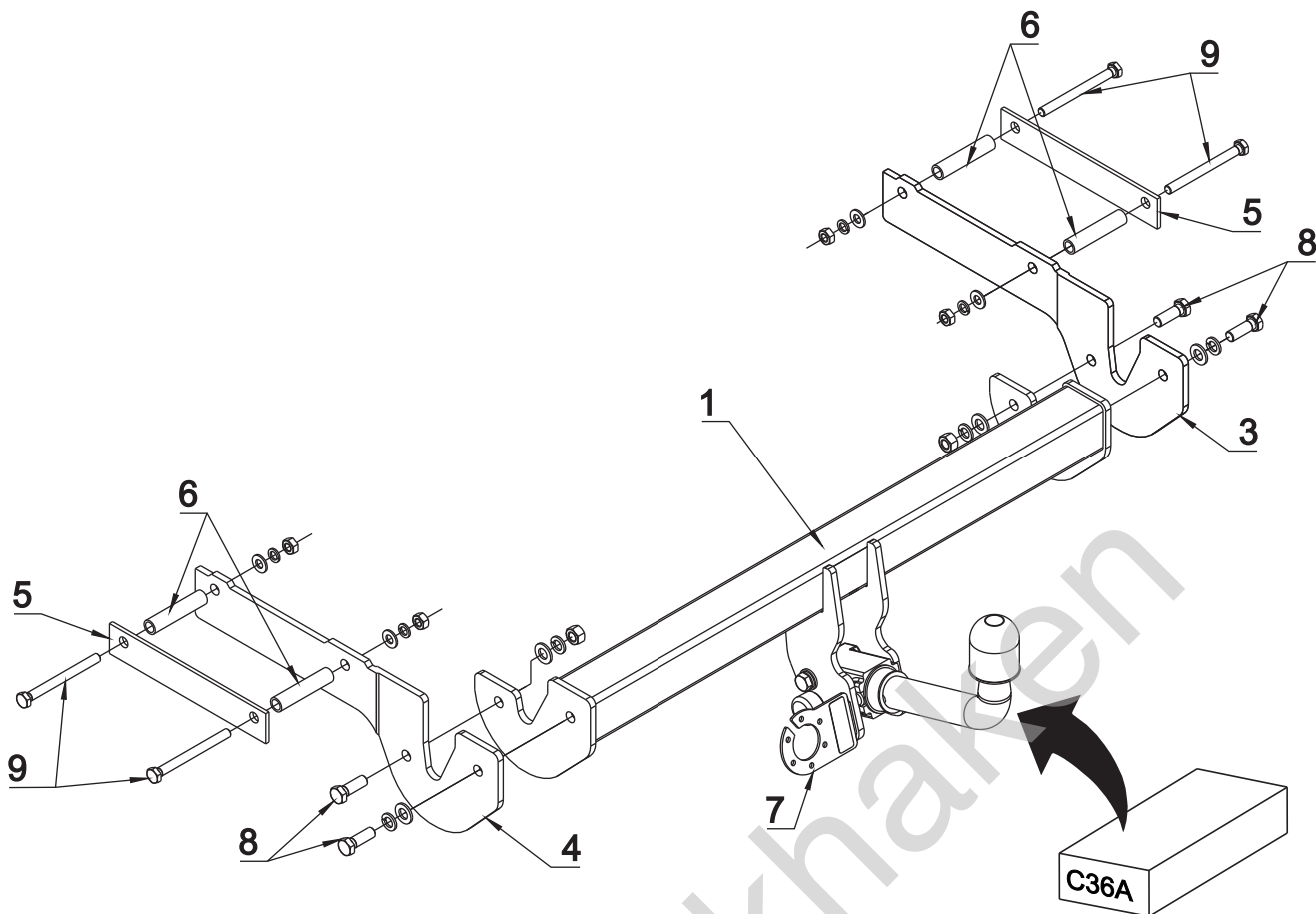
śruba	Nm	M6	M8	M10	M12	M14	M16
klasa 8.8		9,9	24	48	83	132	200
klasa 10.9		14	34	67	117	185	285

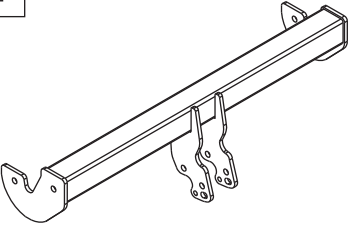








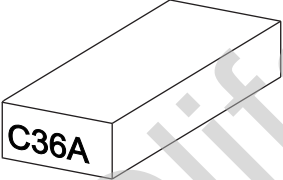
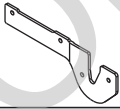
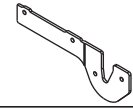
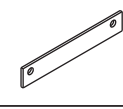
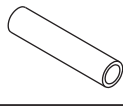
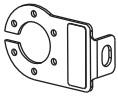


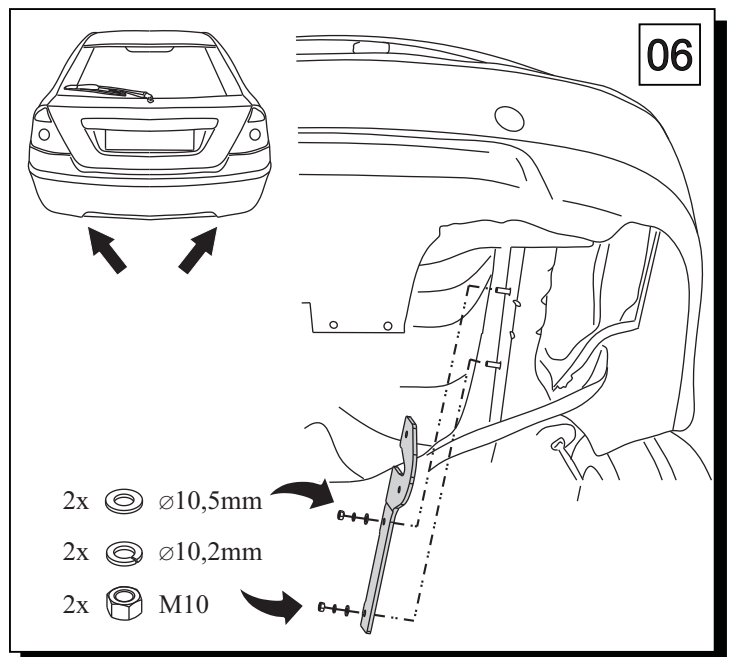
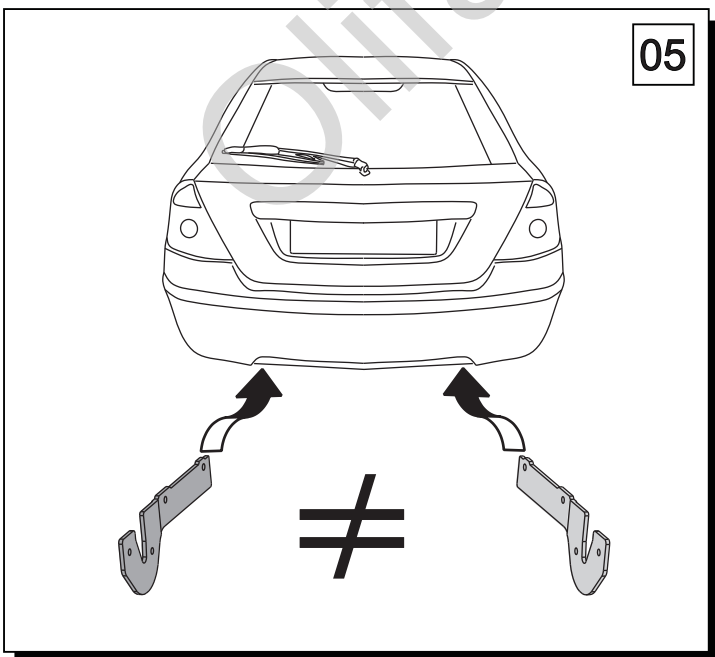
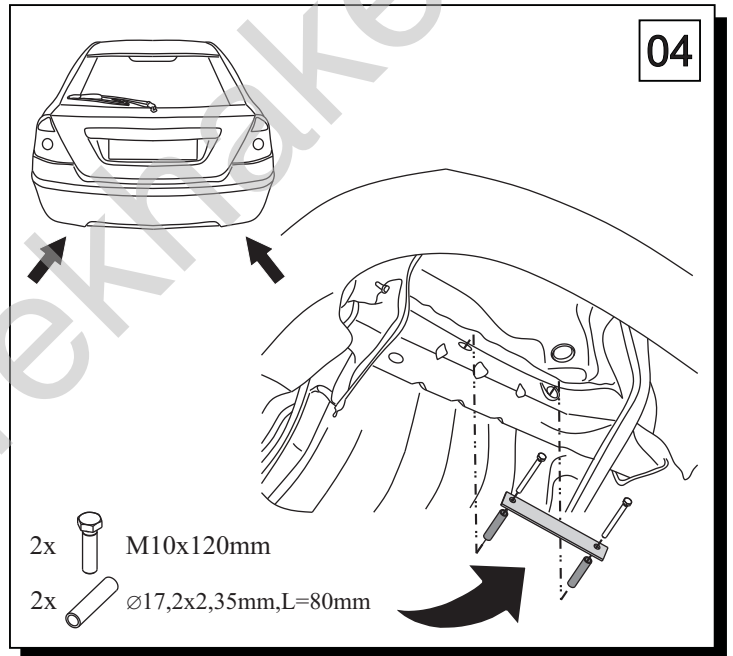
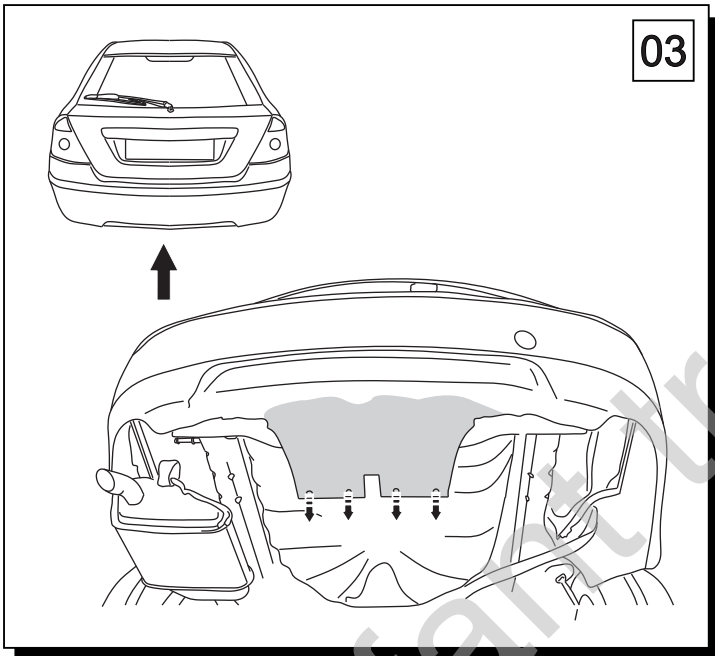
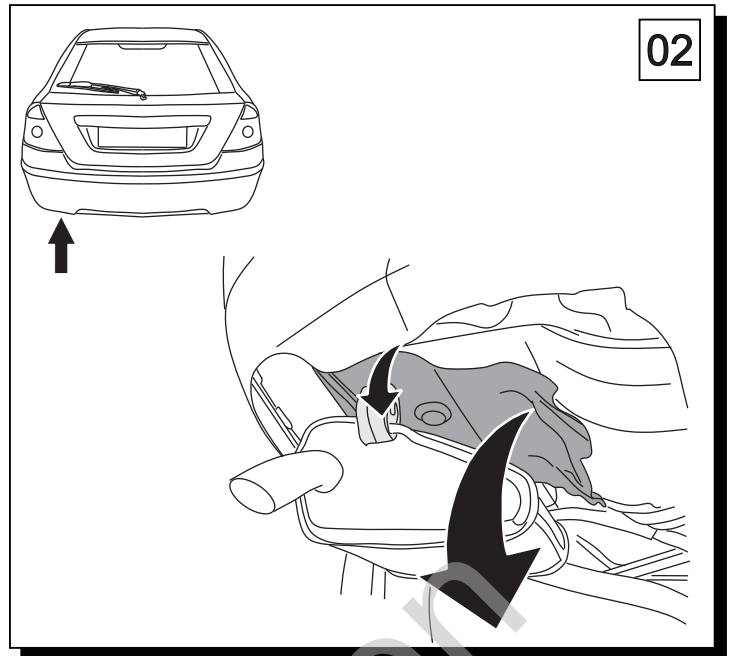
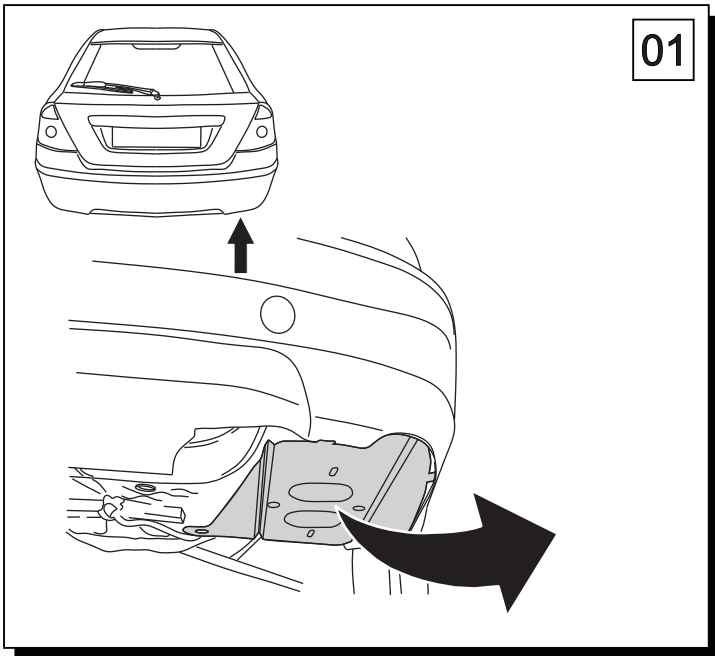
0 km →

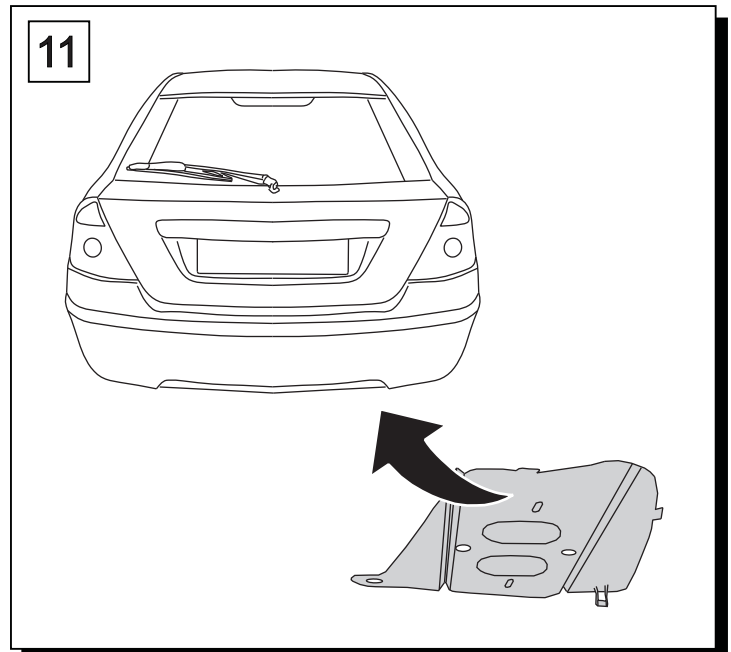
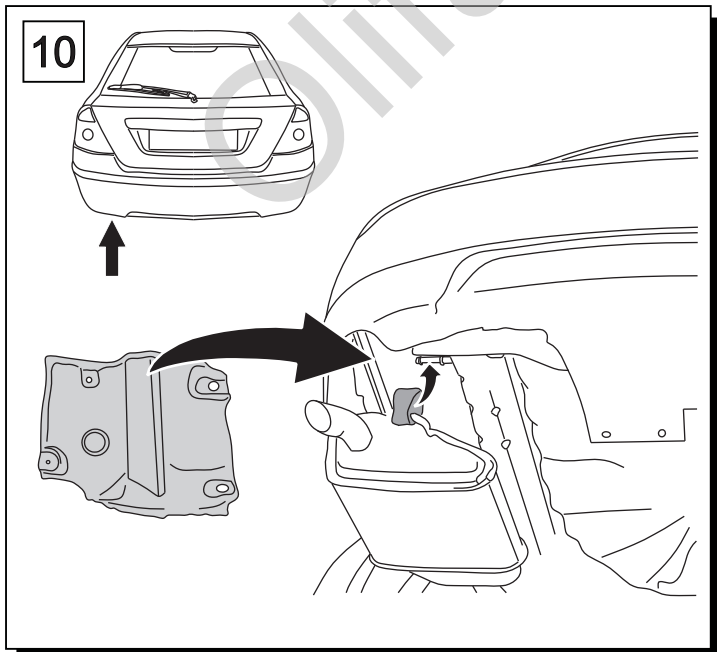
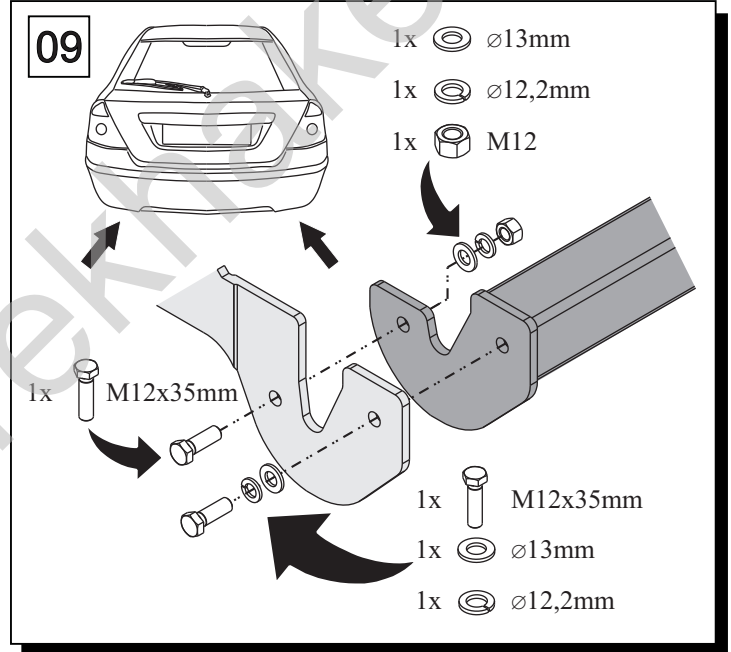
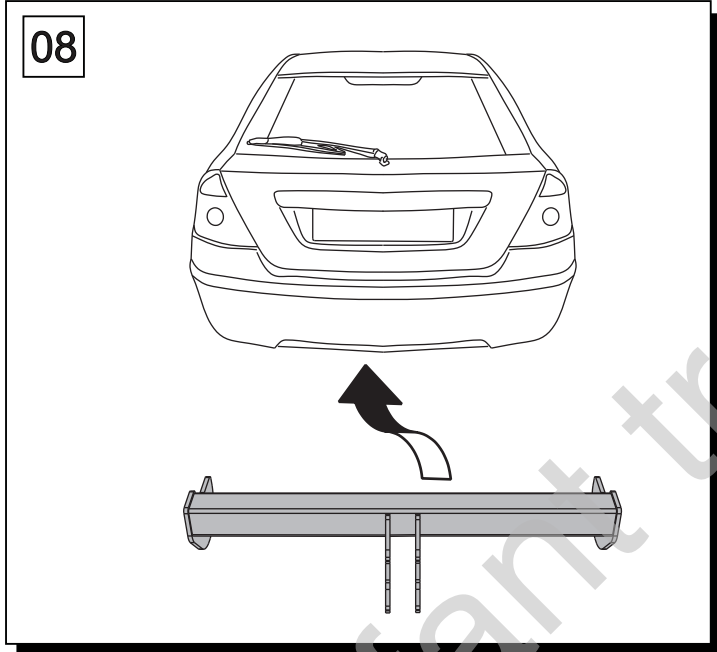
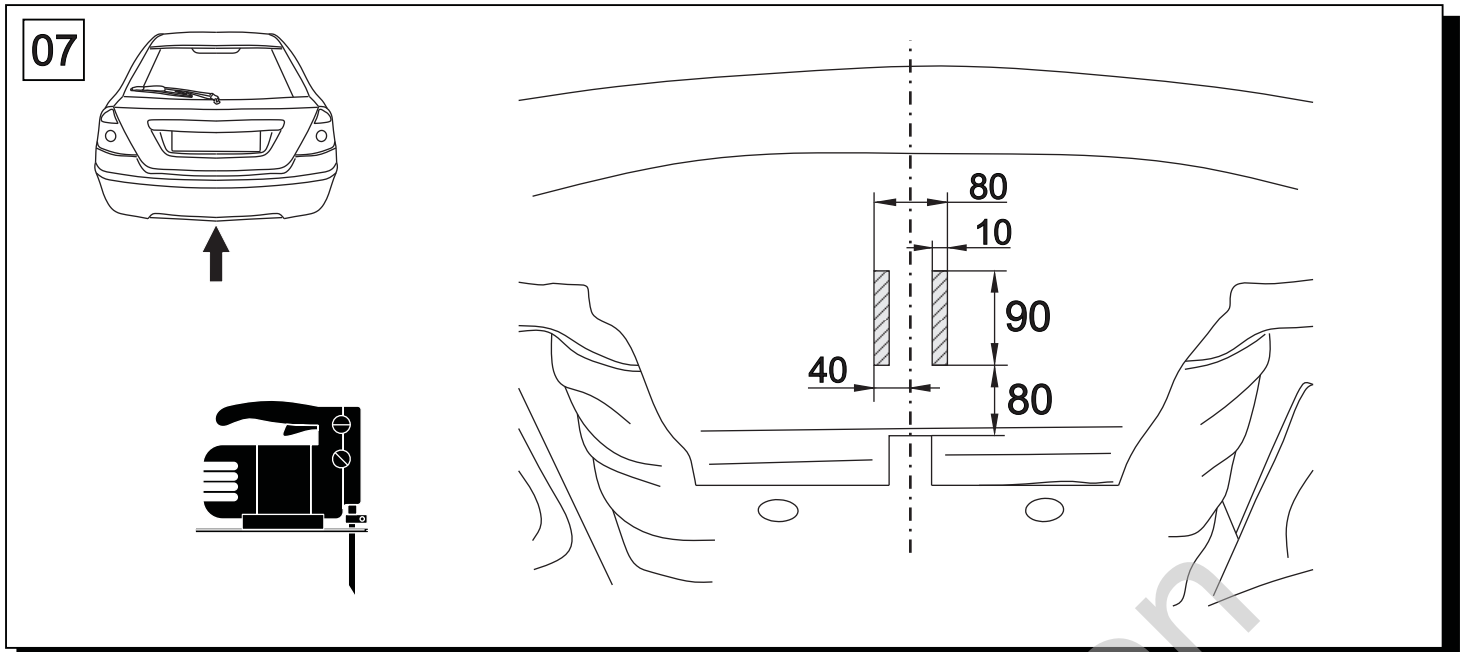


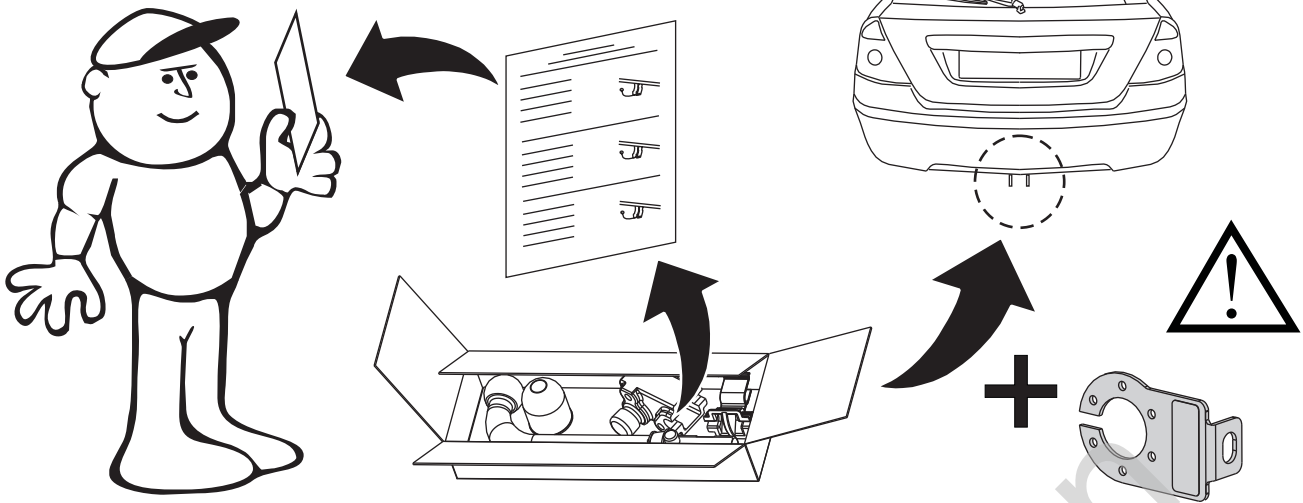
1000 km



1		x 1		8 M12x35	x 4
				9 M10x120	x 4
				10 $\varnothing$ 13	x 4
				11 $\varnothing$ 10.5	x 4
				12 $\varnothing$ 12.2	x 4
				13 $\varnothing$ 10.2	x 4
				14 M12	x 2
				15 M10	x 4
2		x 1	Art.nr-KL1C36A		
3		x 1			
4		x 1			
5		x 2			
6		x 4	$\varnothing$ 17,2x2,35mm L=80mm		
7		x 1	Art.nr-BL1C36A		







Olifant trekhaker

