

AUTO-HAK Sp. z o.o.

ul. Słoneczna 16K 76-200 SŁUPSK
POLAND

tel/fax +48 59 8 414 414; +48 59 8 414 413

e-mail: office@autohak.com.pl

www.autohak.com.pl



AUTO-HAK

FORD MONDEO 4/5D Mk3, ~~ST-200~~

Nr kat.

C36



11.2000 → 04.2007



E20-55R-01 1150



9,1 kN



R=1800 kg



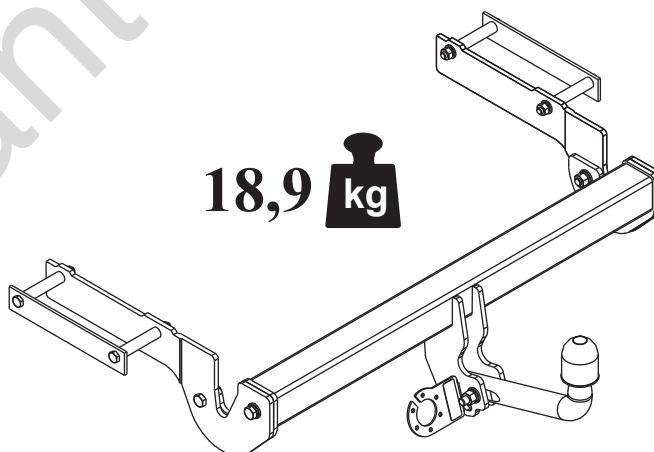
S=75 kg



2h



18,9 kg



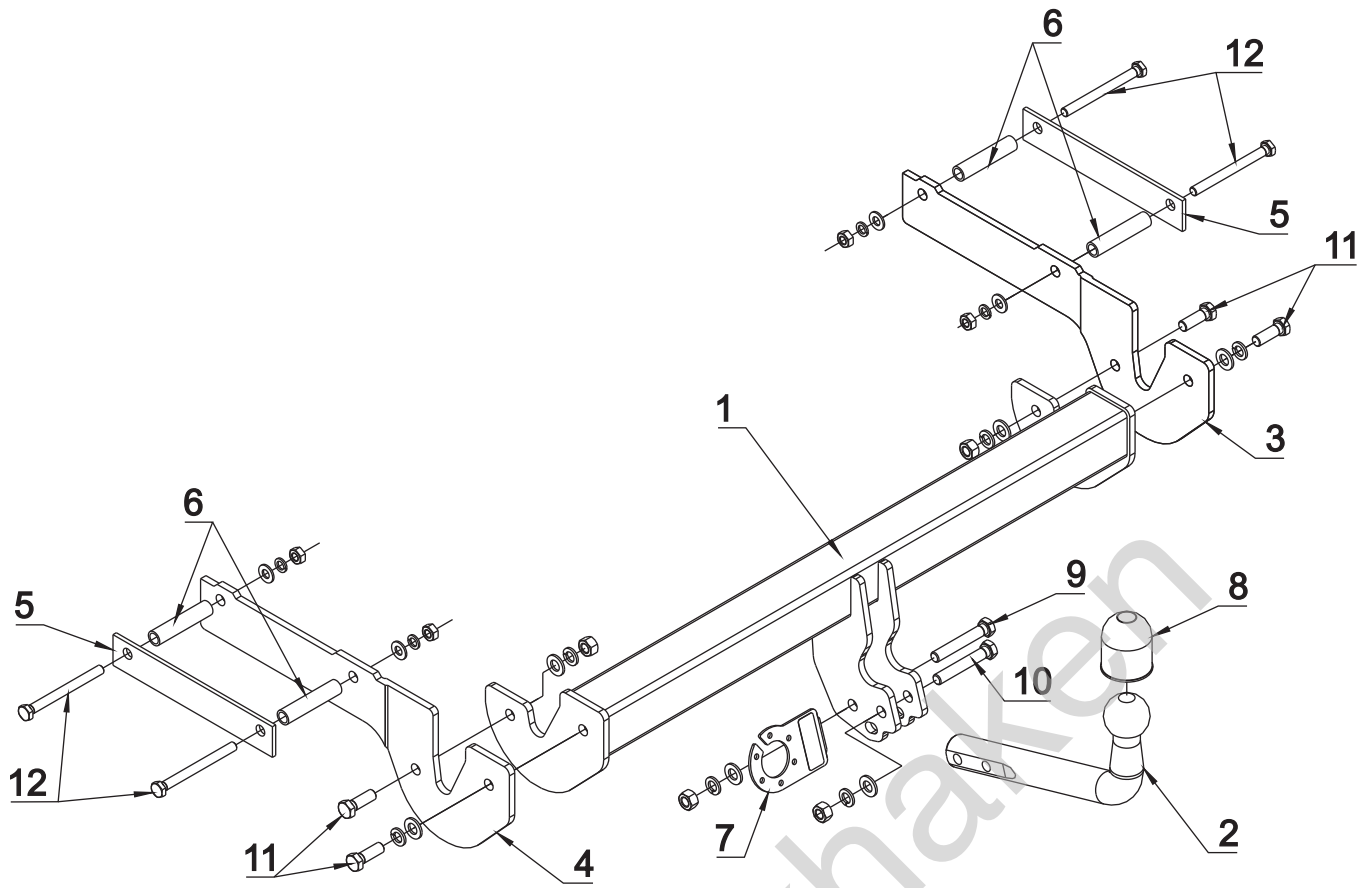
śruba	Nm	M6	M8	M10	M12	M14	M16
klasa 8.8		9,9	24	48	83	132	200
klasa 10.9		14	34	67	117	185	285

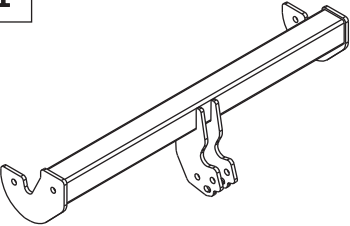

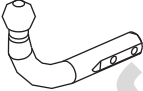


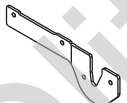

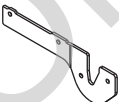

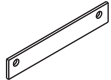
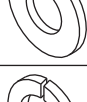
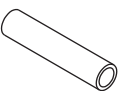

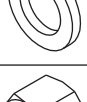
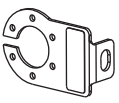





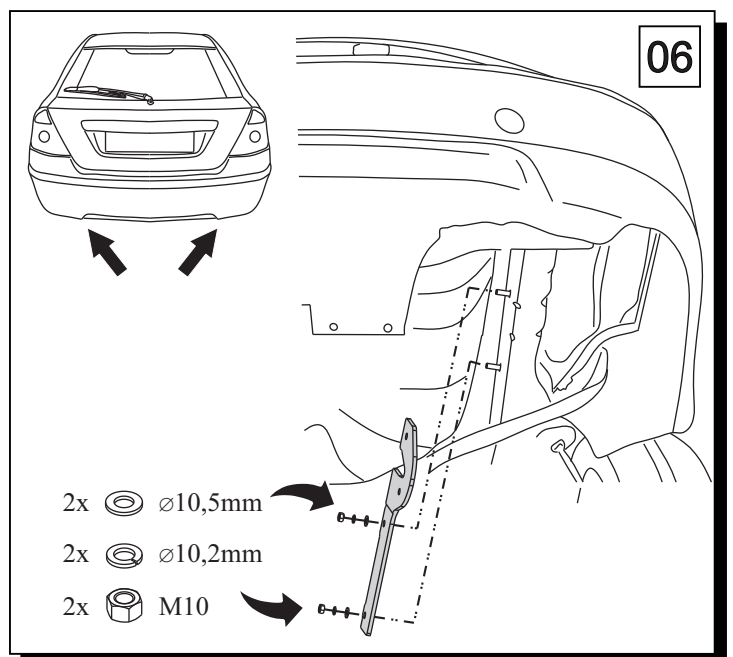
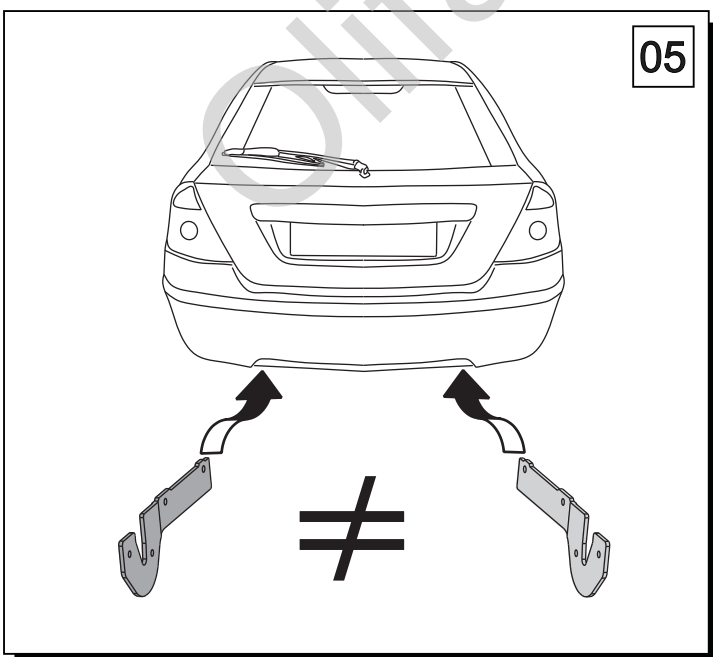
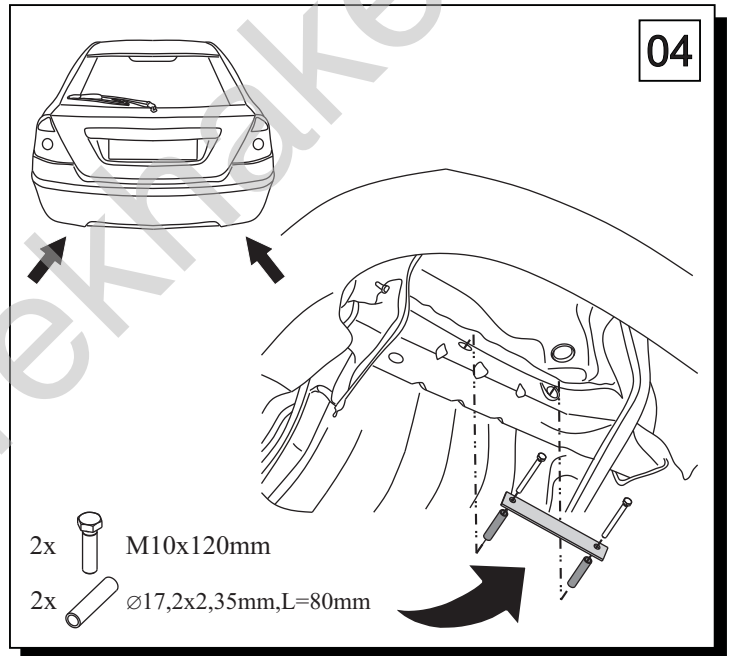
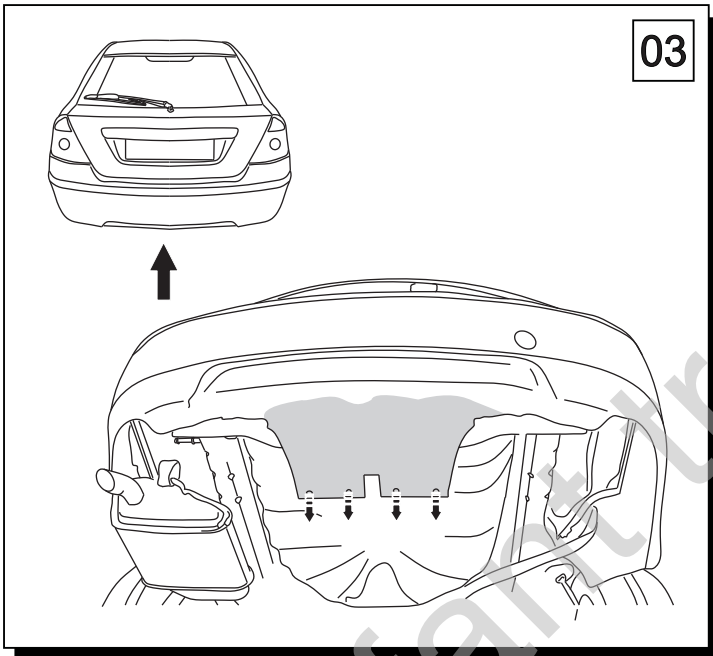
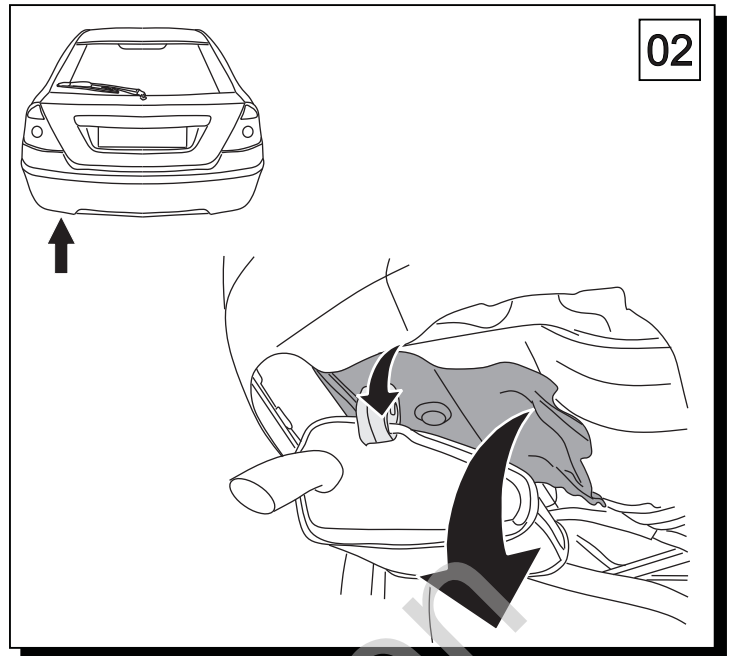
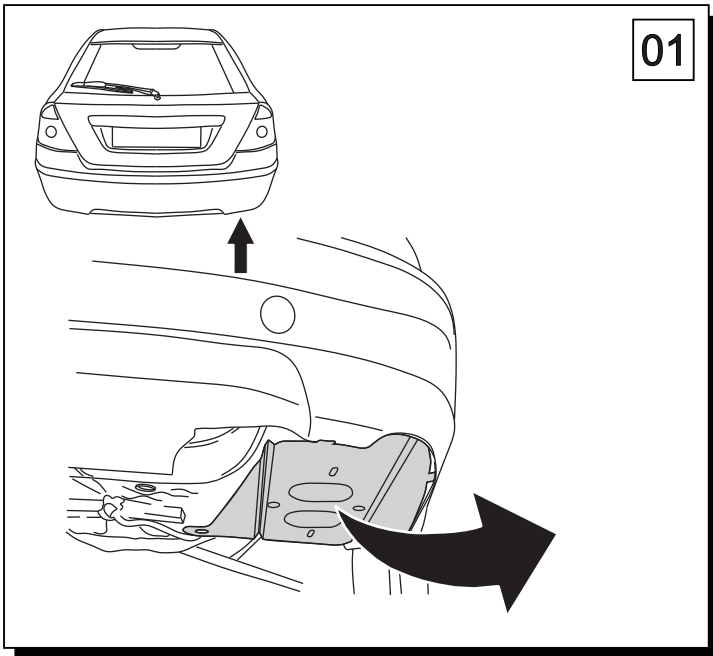
0 km →

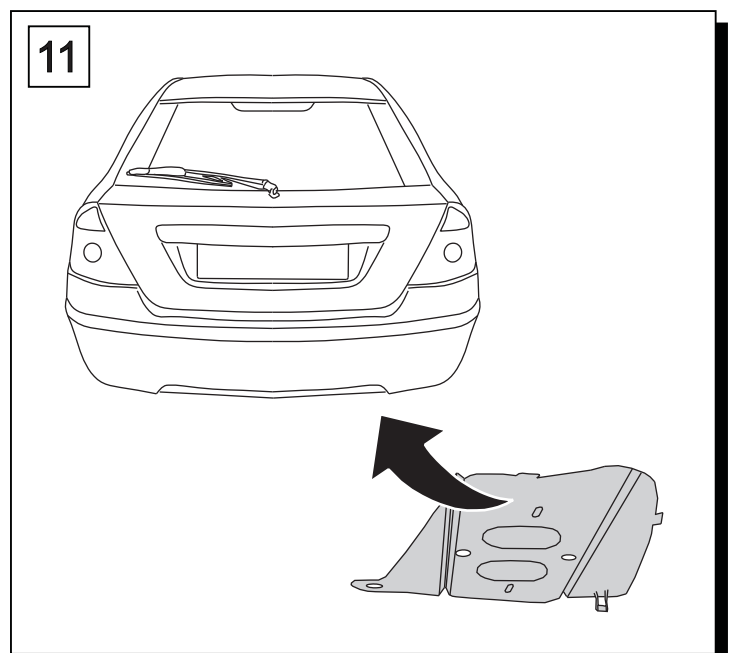
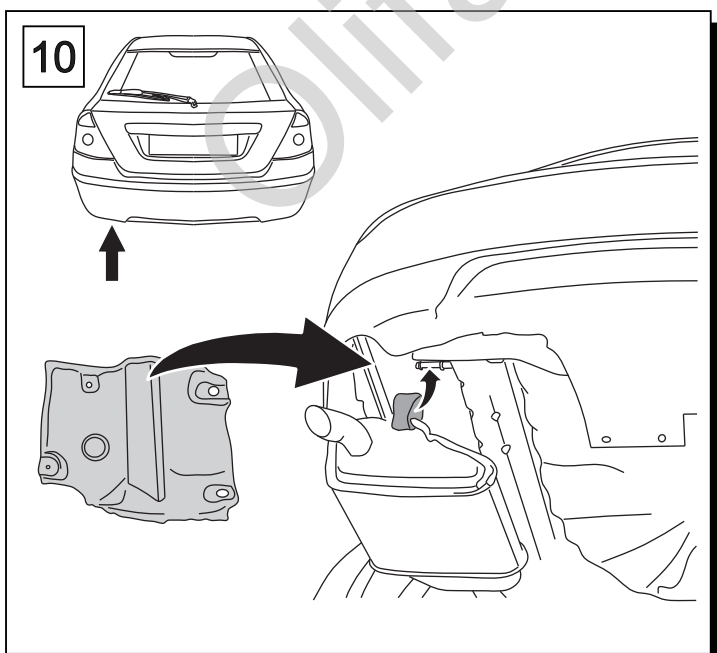
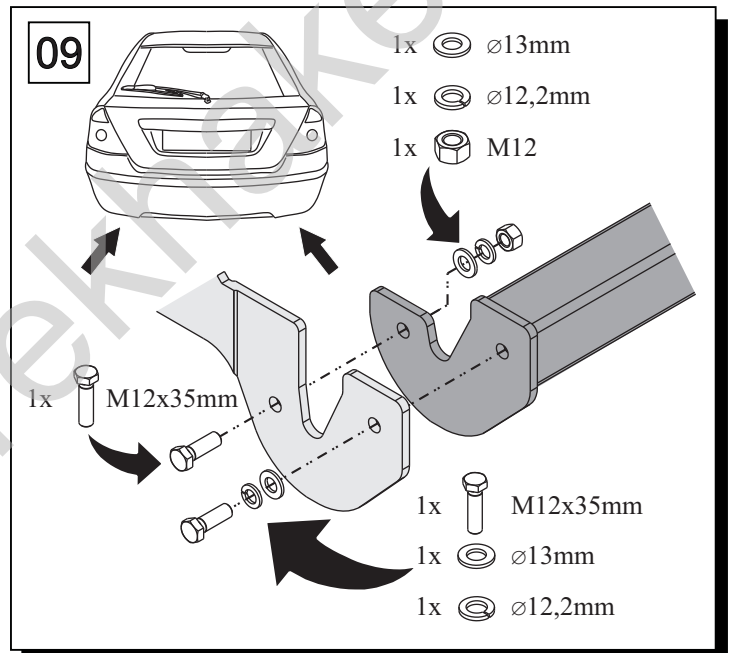
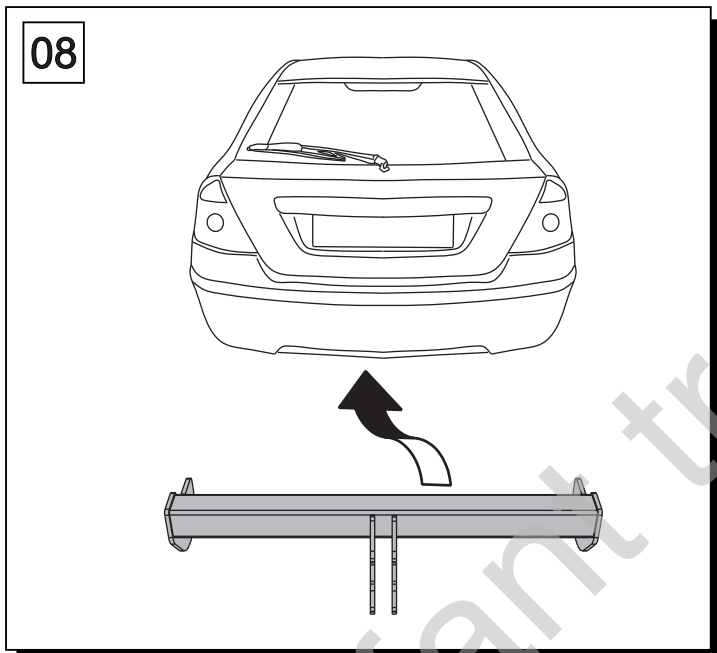
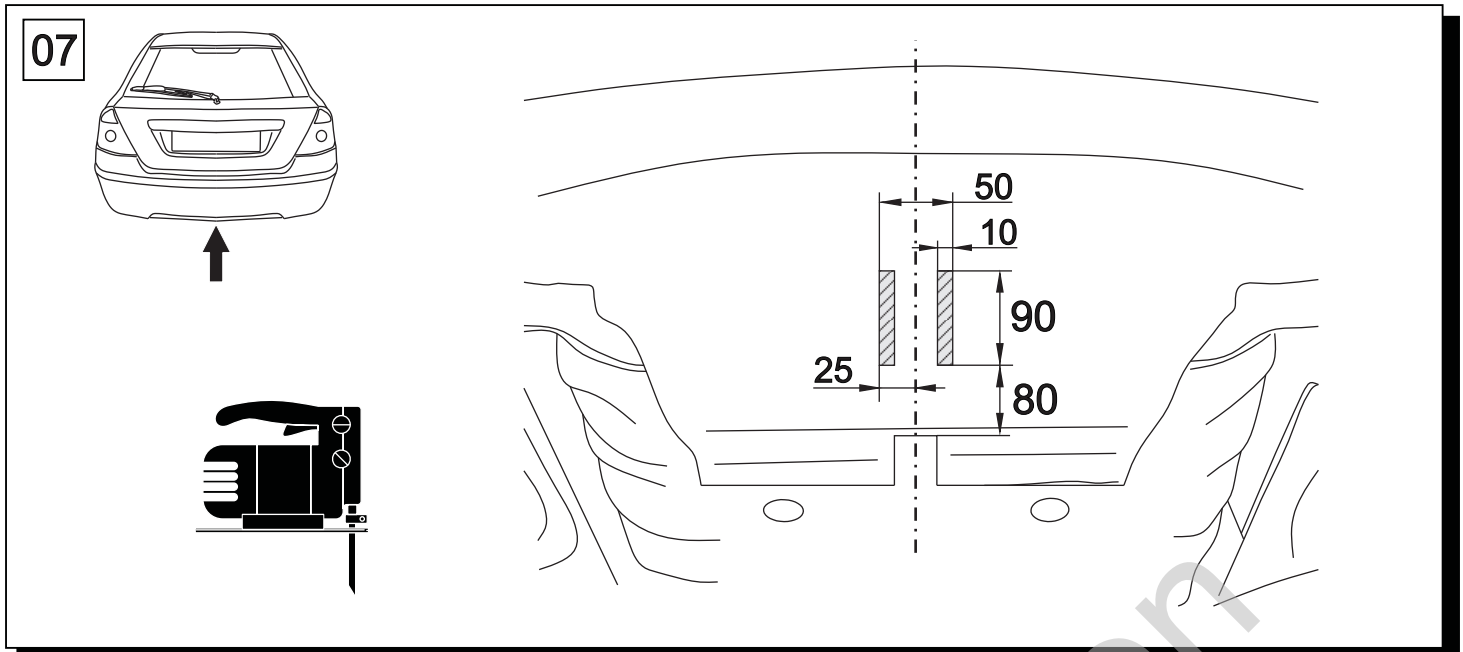


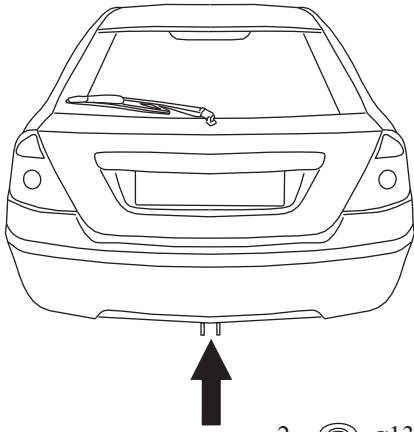
1000 km



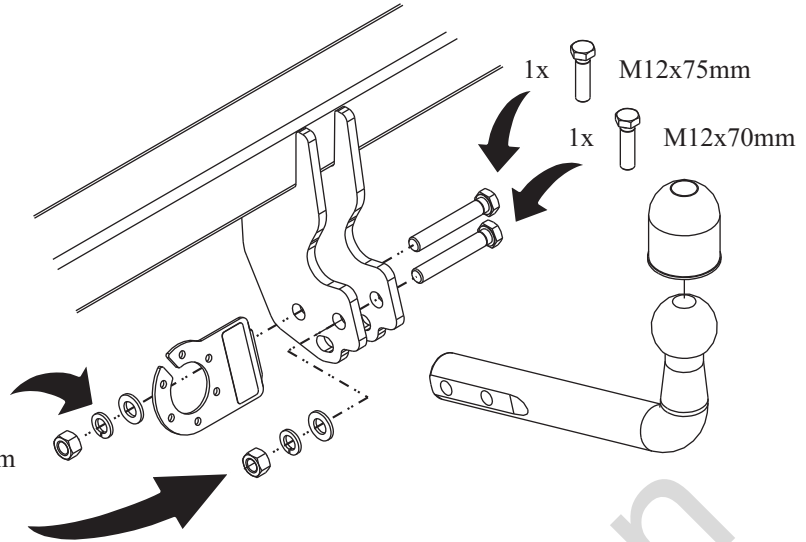
1		x1		9	M12x75	x1
2		x1		10	M12x70	x1
	Art.nr-KL1C36			11	M12x35	x4
3		x1		12	M10x120	x4
4		x1		13	∅ 13	x6
5		x2		14	∅ 10.5	x4
6		x4		15	∅ 12.2	x6
	∅17,2x2,35mm L=80mm			16	∅ 10.2	x4
7		x1		17	M12	x4
	Art.nr-BL1C36			18	M10	x4
8		x1				







- 2x $\varnothing 13\text{mm}$
- 2x $\varnothing 12,2\text{mm}$
- 2x M12



- M6 - 11 Nm
- M10 - 50 Nm
- M14 - 138 Nm

- M8 - 25 Nm
- M12 - 87 Nm
- M16 - 210 Nm



Olifant trektoeken