

AUTO-HAK Sp. z o.o.

ul. Słoneczna 16K 76-200 SŁUPSK
POLAND

tel/fax +48 59 8 414 414; +48 59 8 414 413

e-mail: office@autohak.com.pl

www.autohak.com.pl



AUTO-HAK

FORD FOCUS I Turnier

Kombi (Mk1), RS

Nr kat.

C29A



01.1999 → 01.2005

e20

e20*94/20*0926*01

D

8,5 kN



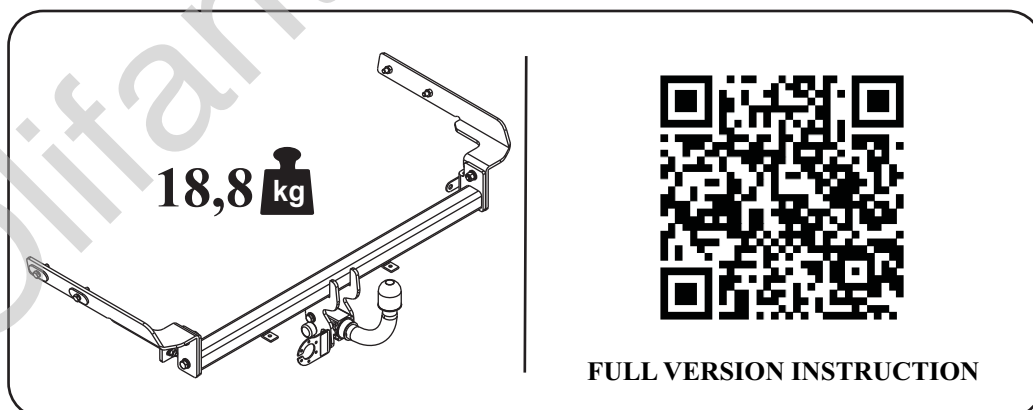
2h



R=1400 kg



S=75 kg



FULL VERSION INSTRUCTION



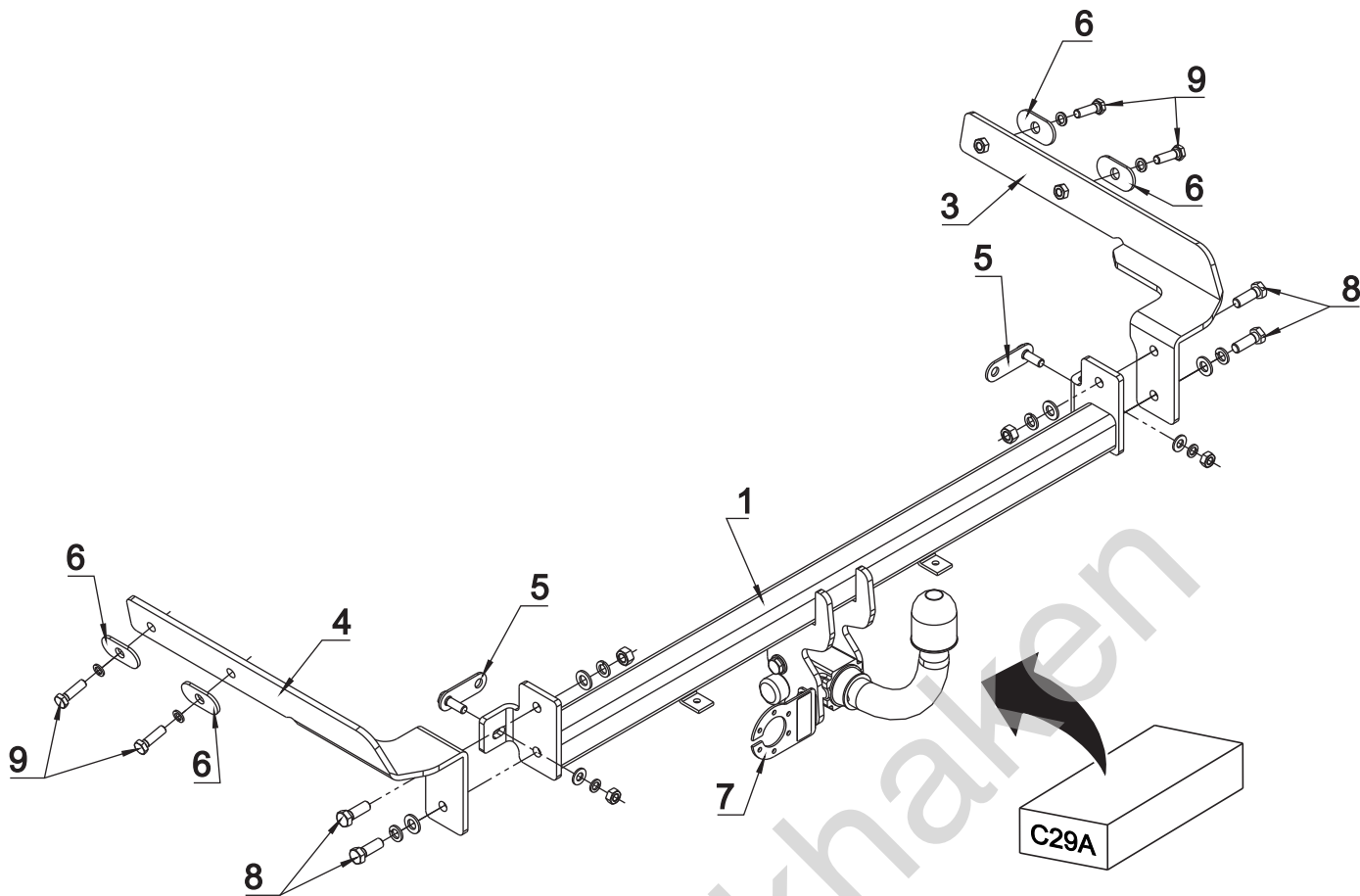
śruba	Nm	M6	M8	M10	M12	M14	M16
klasa 8.8		9,9	24	48	83	132	200
klasa 10.9		14	34	67	117	185	285

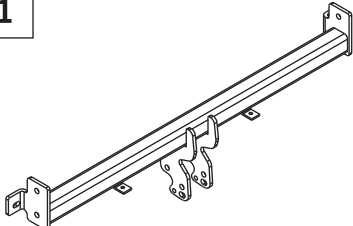

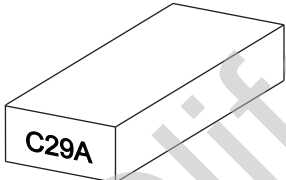

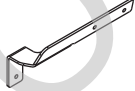

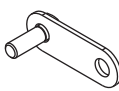
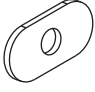
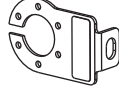


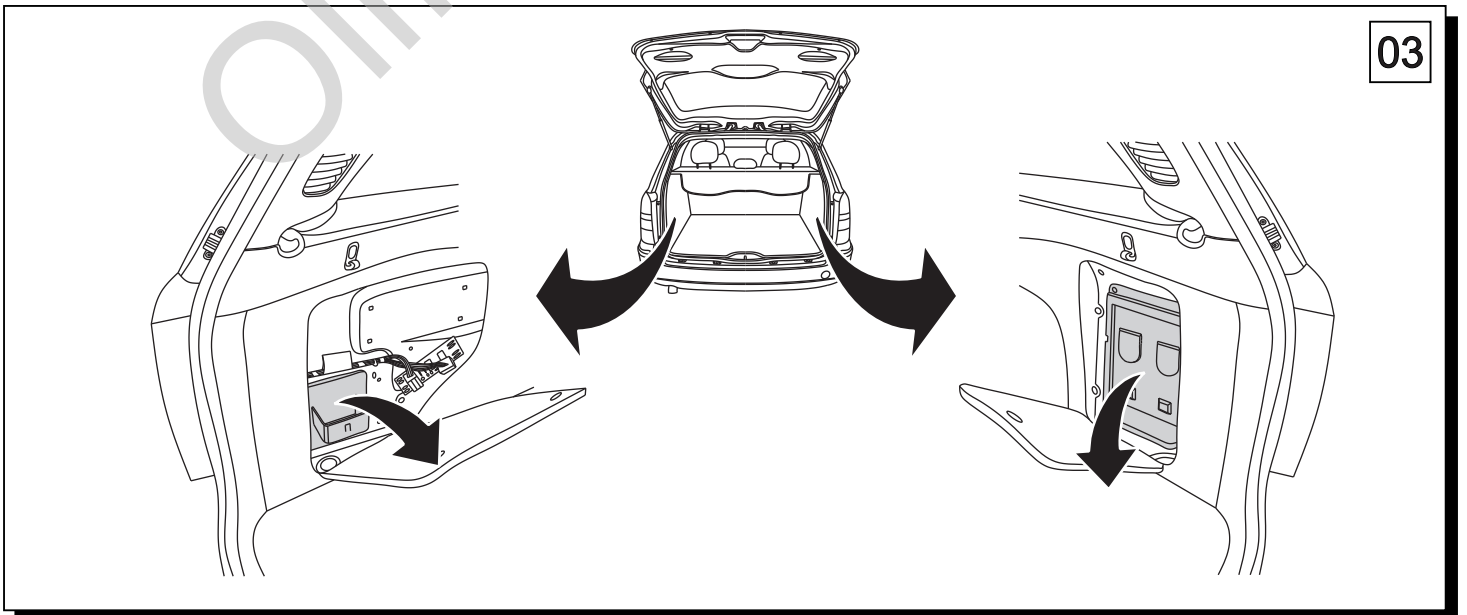
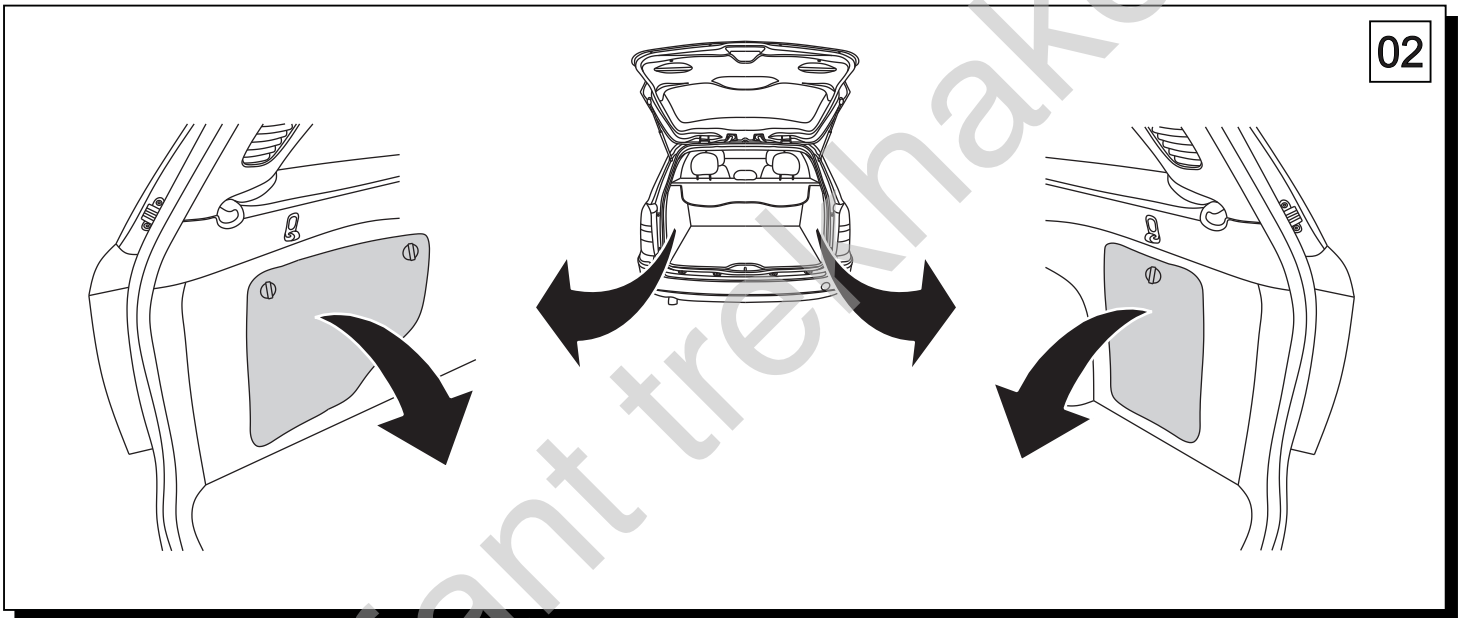
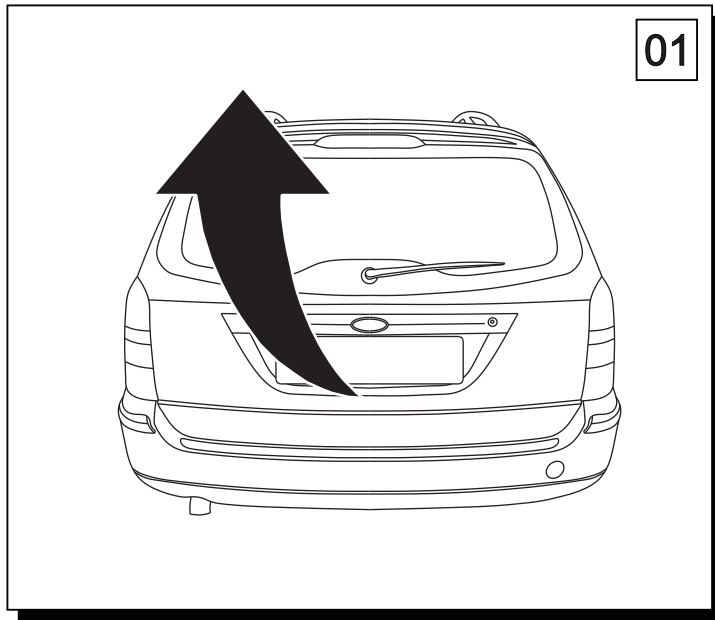
0 km →



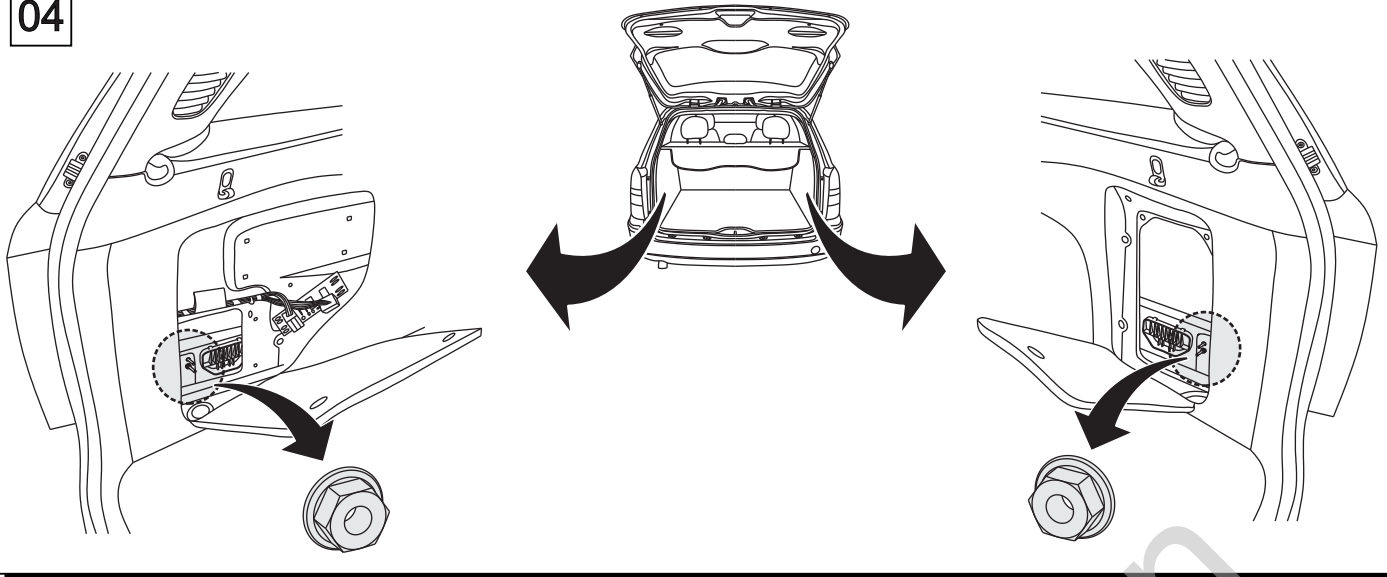
1000 km



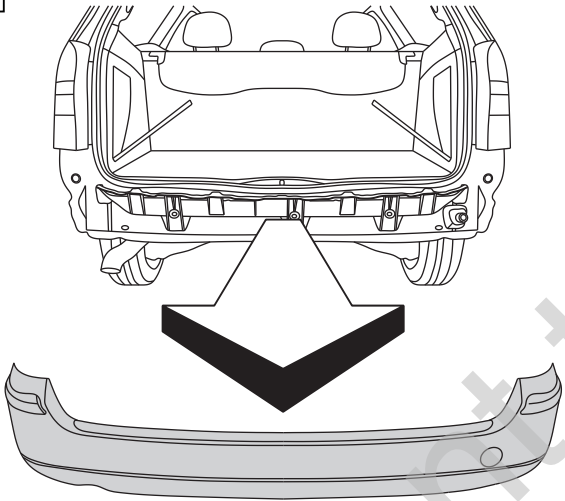
1		x1		8	M12x35	4
				9	M10x35	4
2		x1		10	∅ 13	4
				11	∅ 10.5	2
				12	∅ 12.2	4
				13	∅ 10.2	6
				14	M12	2
15	M10	2				
3		x1				
4		x1				
5		x2				
6		x4				
					60x30x4mm	
7		x1				
					Art.nr-BL1C29A	



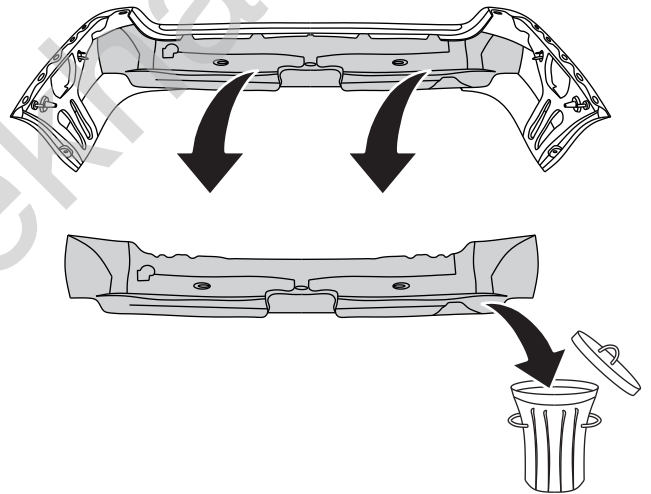
04



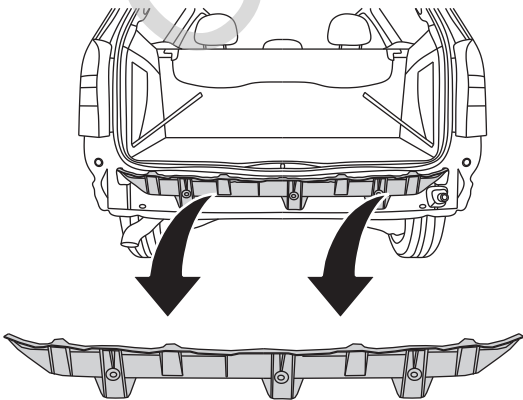
05



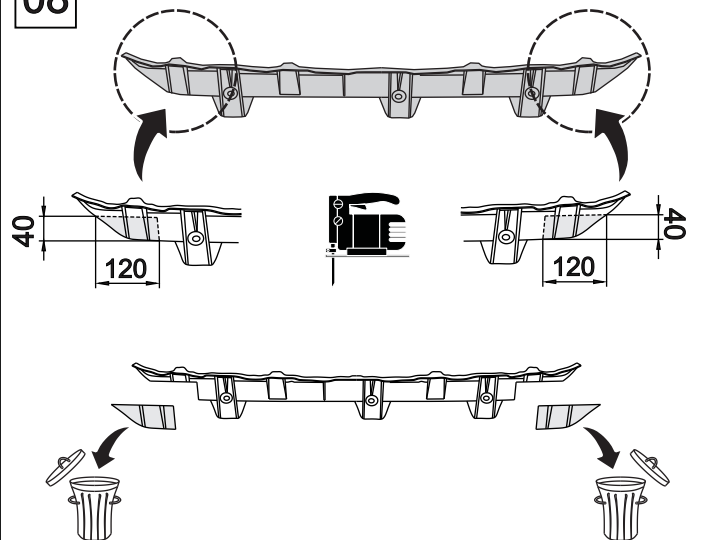
06

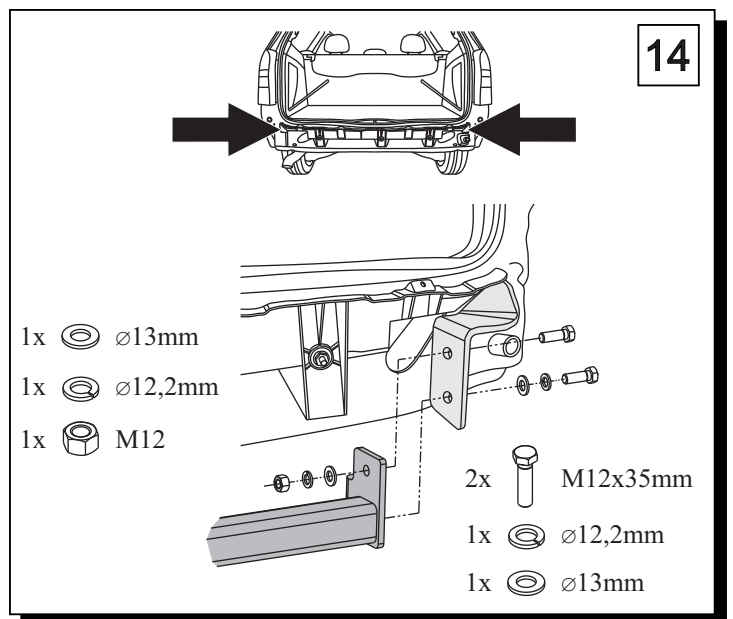
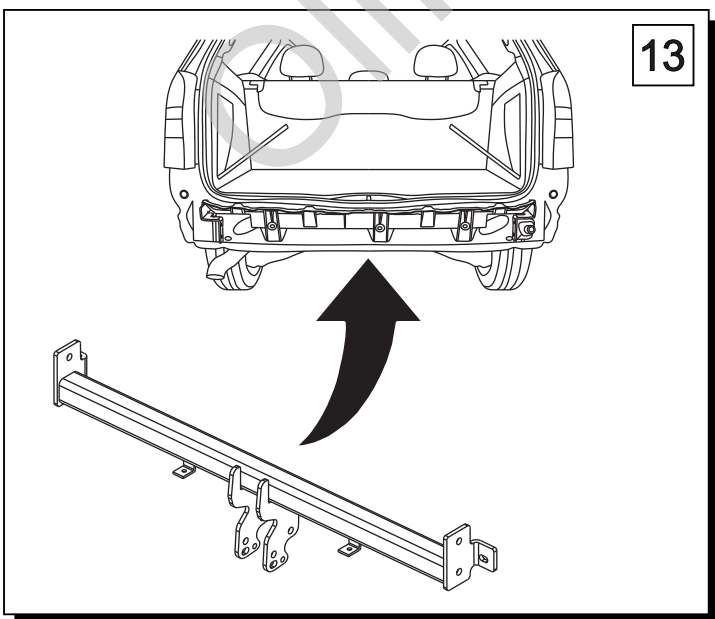
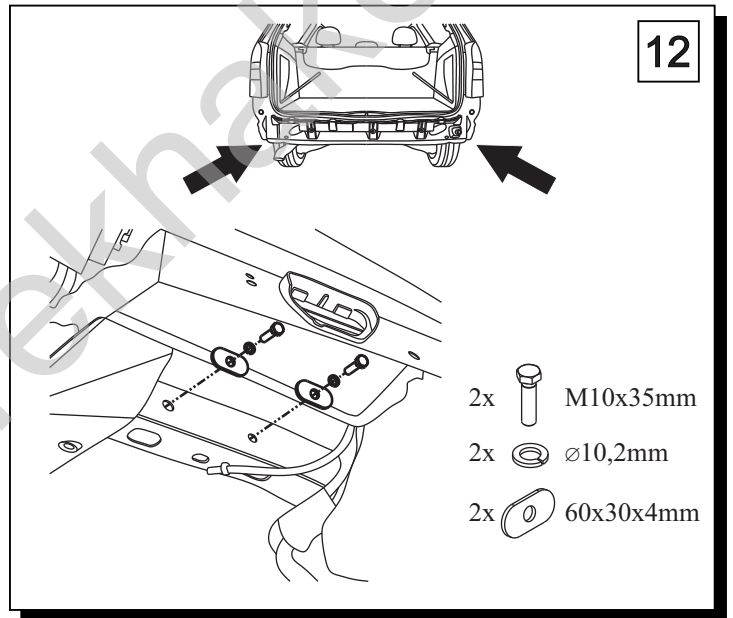
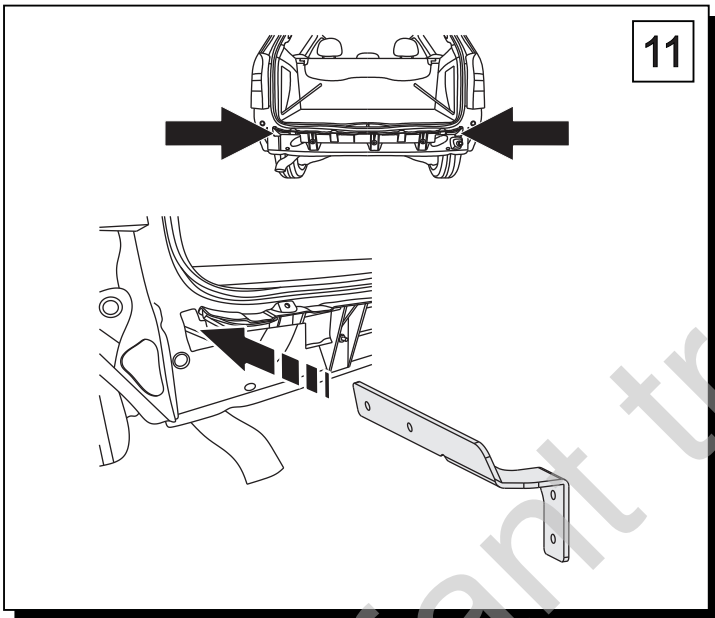
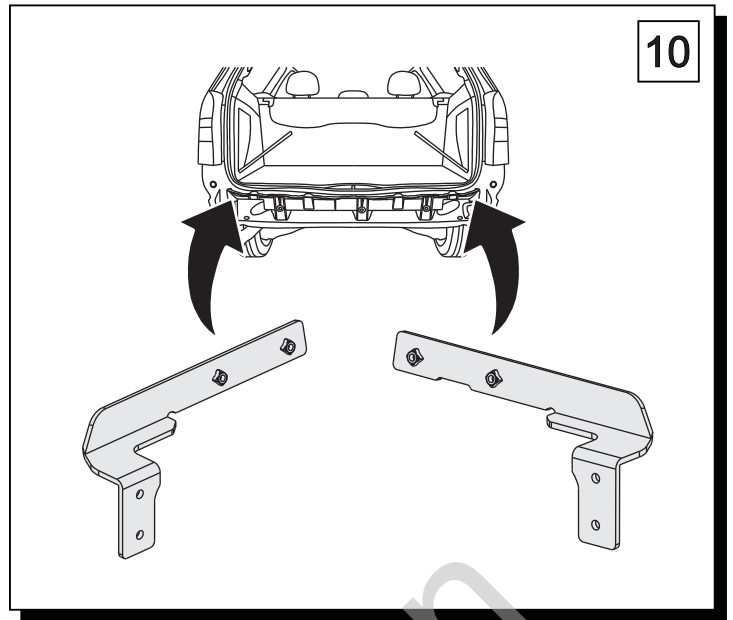
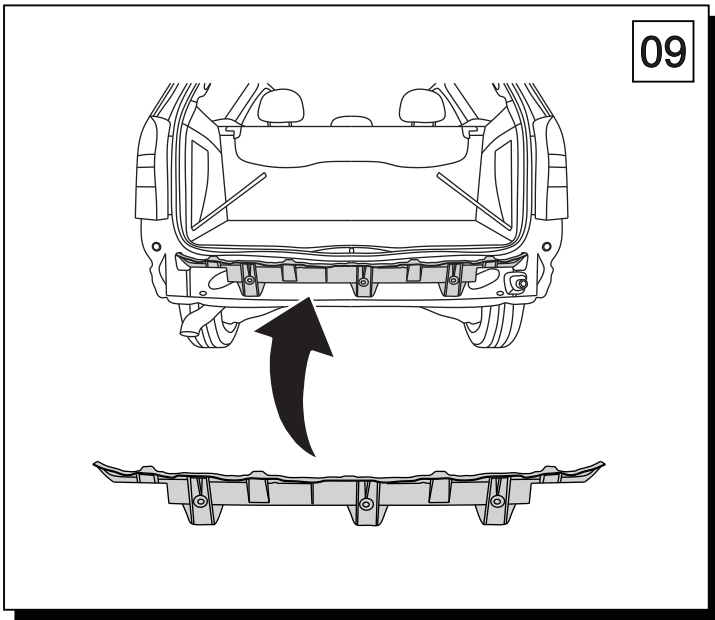


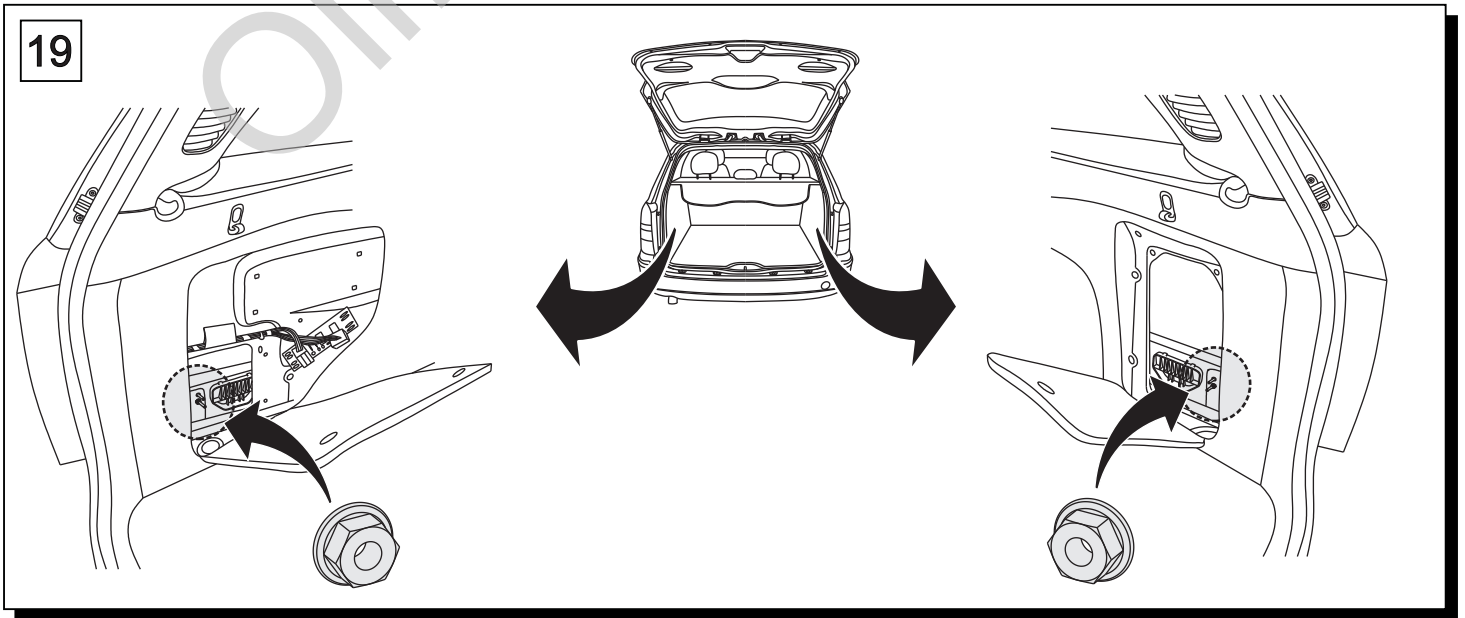
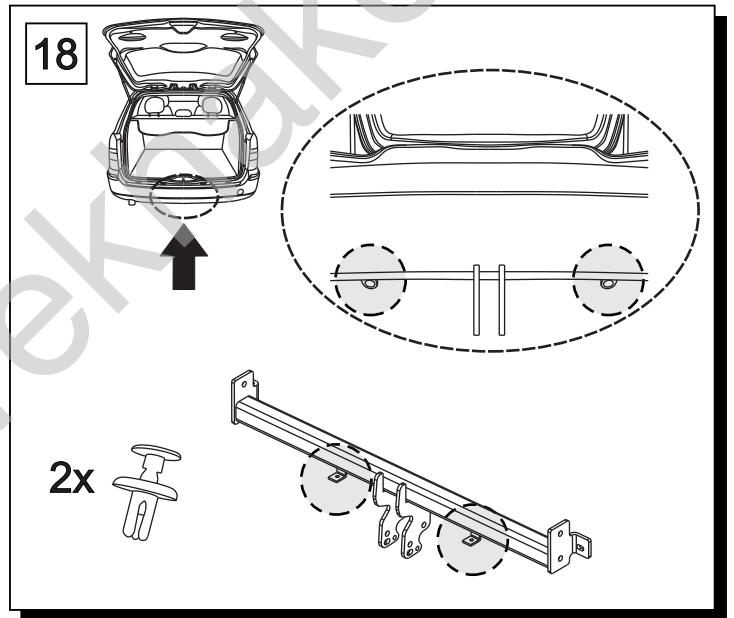
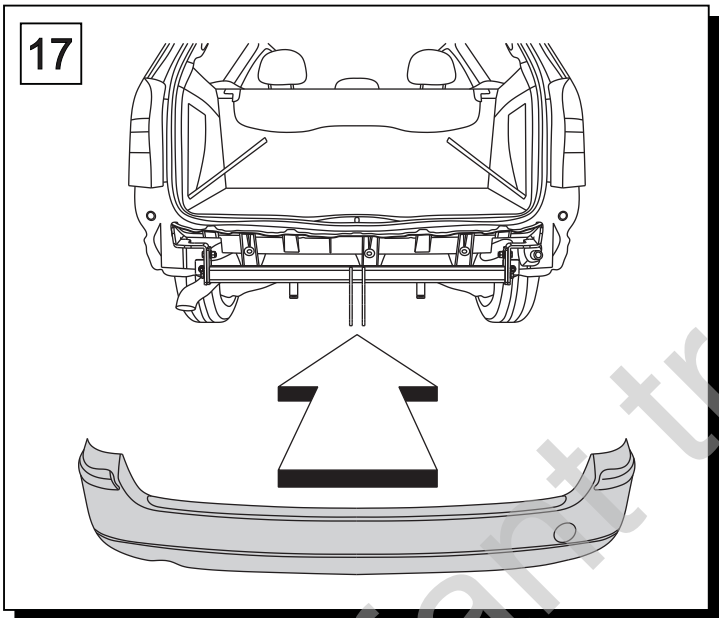
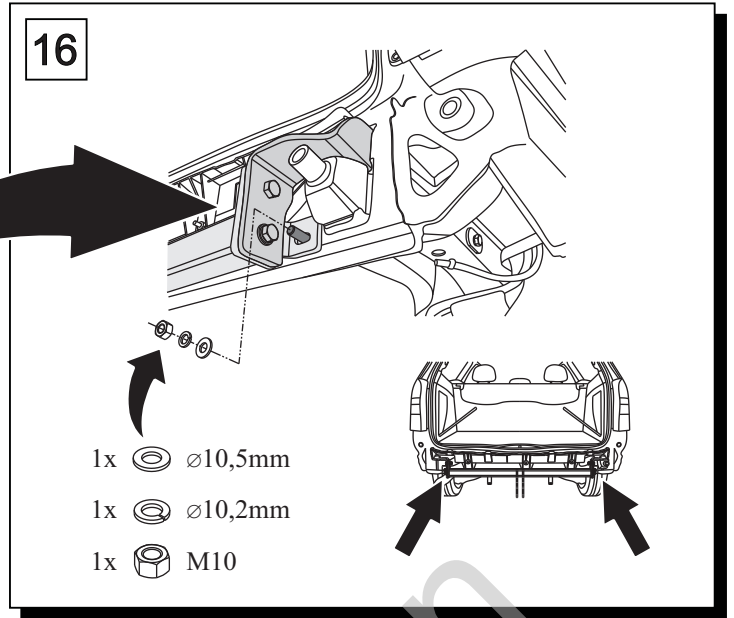
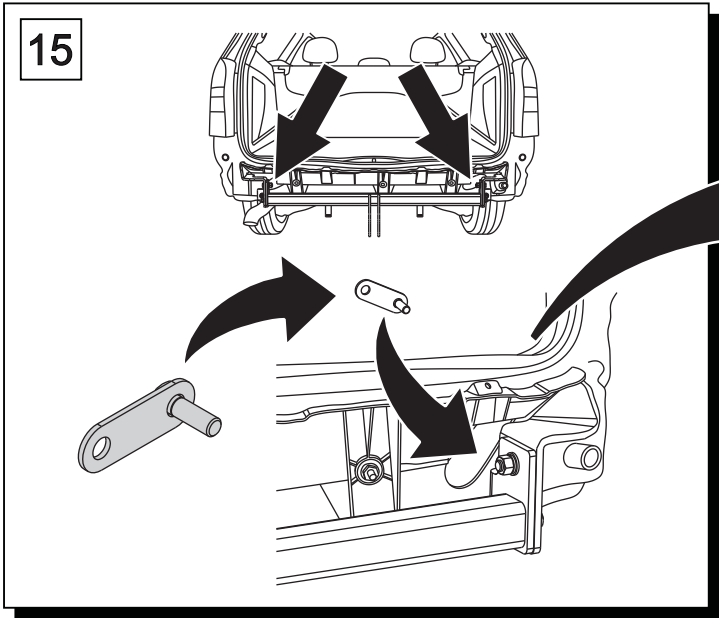
07



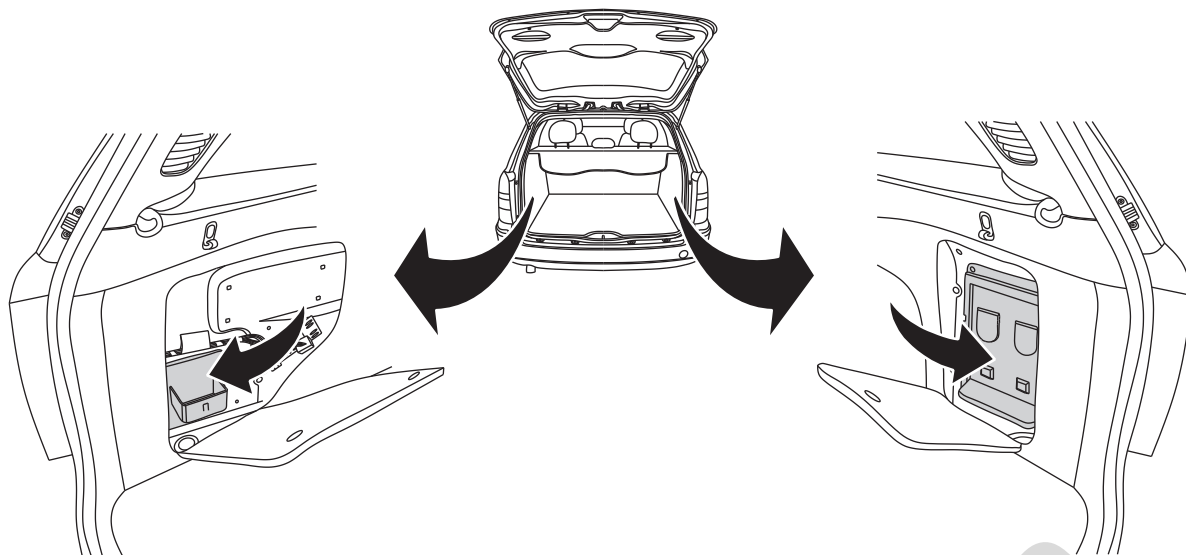
08



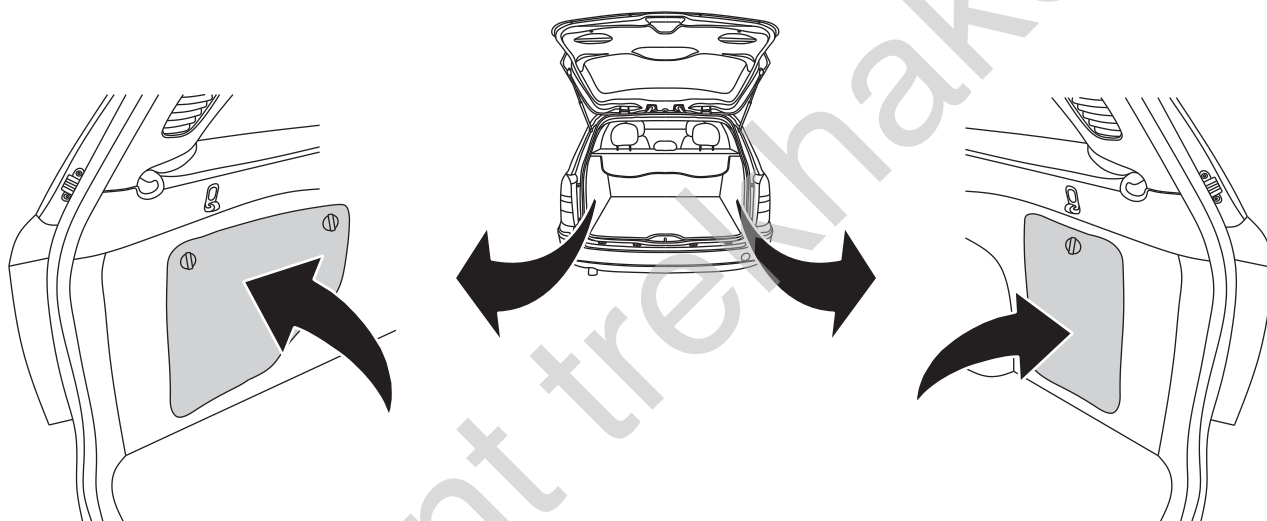




20



21



22

