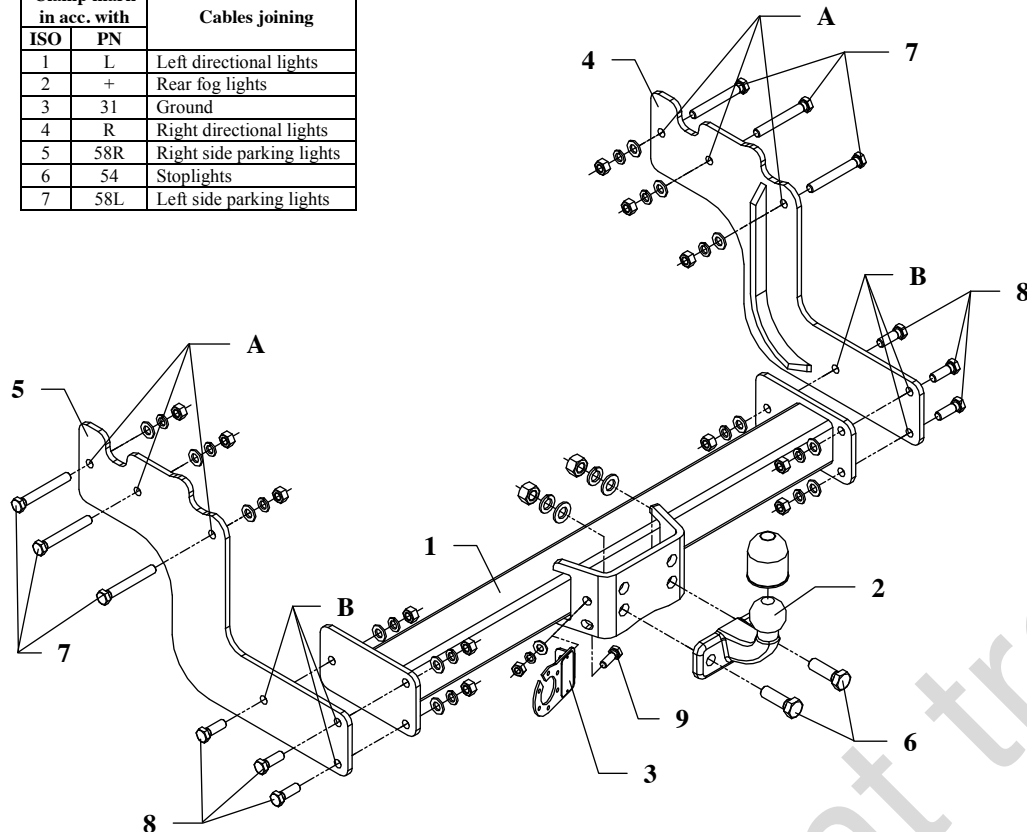


## FITTING INSTRUCTION

Clamp mark in acc. with		Cables joining
ISO	PN	
1	L	Left directional lights
2	+	Rear fog lights
3	31	Ground
4	R	Right directional lights
5	58R	Right side parking lights
6	54	Stoplights
7	58L	Left side parking lights



This towing hitch is designed to assembly in following cars:  
**FORD TRANSIT ER, lengthened frame, loading platform**, produced since 11.1991 till 04.2000, catalogue no. **C21** and is prepared to tow trailers max total weight **2000 kg** and max vertical mass **75 kg**.

### *From manufacturer*

Thank you for buying our product. Their reliability has been confirmed in many tests. Reliability of towing hitch depends also on correct assembly and right operation. For this reasons we kindly ask to read carefully this instruction and apply to hints.

*The towing hitch should be install in points described by a car producer.*

## The instruction of the assembly

1. Apply side brackets (pos. 4 and 5) from the left and right side to the frame of the car and then through holes A of the towing hitch and existing holes in the frame fix using bolts M12x90mm (pos. 7) from the towing hitch accessories.
2. Apply the main bar of the towing hitch (pos. 1) between brackets (pos. 4 and 5) and then through holes B fix using bolts M12x35mm (pos. 8).

**ATTENTION!** In dependence from the version and the foreseeing load of the car fix tow ball higher or lower.

3. Fix tow-ball (pos. 2) using bolts M16x50mm (pos. 6) from accessories.
4. Fix socket plate (pos. 3) using bolt M10x30mm (pos. 9).
5. Tighten all bolts according to the torque shown in the table.
6. Connect electric wires of 7-poles socket according to the instruction of the car. (Recommend to make at authorized service station).
7. Complete paint layer damaged during installation.

Torque settings for nuts and bolts (8,8):

<b>M6</b> - 11 Nm	<b>M8</b> - 25 Nm	<b>M10</b> - 50 Nm
<b>M12</b> - 87 Nm	<b>M14</b> - 138 Nm	<b>M16</b> - 210 Nm

### NOTE

After install the towing hitch you should get adequate note in registration book (at authorised service station). The car should be equipped with:

- Indicators
- Tow mirrors

After 1000km check all bolts and nuts. The ball of towing hitch must be always kept clear and conserve with a grease.

## Towing hitch accessories:

Pos. 1 Main bar PCS.: 1	Pos. 5 Left bracket PCS.: 1	Pos. 10 Nut 8 B M16 PCS.: 2	Pos. 15 Plain washer ø10mm PCS.: 1
	Pos. 6 Bolt 8,8 B M16x50mm PCS.: 2	Pos. 11 Nut 8 B M12 PCS.: 12	Pos. 16 Spring washer ø16.3mm PCS.: 2
Pos. 2 Tow ball PCS.: 1	Pos. 7 Bolt 8,8 B M12x90mm PCS.: 6	Pos. 12 Nut 8 B M10 PCS.: 1	Pos. 17 Spring washer ø12mm PCS.: 12
Pos. 3 Socket plate PCS.: 1	Pos. 8 Bolt 8,8 B M12x35mm PCS.: 6	Pos. 13 Plain washer ø17mm PCS.: 2	Pos. 18 Spring washer ø10mm PCS.: 1
Pos. 4 Right bracket PCS.: 1	Pos. 9 Bolt 8,8 B M10x30mm PCS.: 1	Pos. 14 Plain washer ø12mm PCS.: 12	Pos. 19 Ball cover PCS.: 1



**PPUH AUTO-HAK S.J.**

Produkcja Zaczepów Kulowych  
Henryk i Zbigniew Nejman  
76-200 SŁUPSK ul. Słoneczna 16K  
tel/fax (059) 8-414-414; 8-414-413  
E-mail: [office@autohak.com.pl](mailto:office@autohak.com.pl)  
[www.autohak.com.pl](http://www.autohak.com.pl)

## Towing hitch (without electrical set)

Class: **A50-X** Cat. no. **C21**

Designed for:

Manufacturer: **FORD**

Model: **TRANSIT ER**

Type: **lengthened frame, loading platform**

produced since 11.1991 till 04.2000

Technical data:

**D-value: 12,49 kN**

maximum trailer weight: **2000 kg**

maximum vertical cup mass: **75 kg**

Approval number according to Directive 94/20/EC: **e20\*94/20\*0412\*00**

## Foreword

This towing hitch is designed according to rules of safety traffic regulations. The towing hitch is a safety component and can be install only by qualified personnel. Any alteration or conversion of the towing hitch is prohibited and would lead to cancellation of design certification. Remove insulating compound and underseal from vehicle (if present) in the area of the matting surfaces of the towing hitch. The vehicle manufacturer's specifications regarding trailer mass and max. vertical cup mass are decisive for driving whereat values for the towing hitch cannot be exceeded.

*D-value formula:*

$$\frac{\text{Max trailer weight [kg]} \times \text{Max vehicle weight [kg]}}{\text{Max trailer weight [kg]} + \text{Max vehicle weight [kg]}} \times \frac{9,81}{1000} = D \text{ [kN]}$$