

PPUH AUTO-HAK Sp.J.

Henryk i Zbigniew Nejman
ul. Słoneczna 16K 76-200 SŁUPSK
POLAND

tel/fax +48 59 8 414 414; +48 59 8 414 413

e-mail: office@autohak.com.pl

www.autohak.com.pl



AUTO-HAK



FORD FIESTA

3/5D,

~~GT/S/XR2i~~

Cat. no:

C02A



04.1989 → 12.1995

e20

e20*94/20*0921*00

D

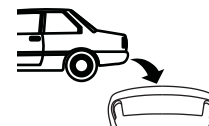
5,52 kN



1,5h



R=940 kg



-

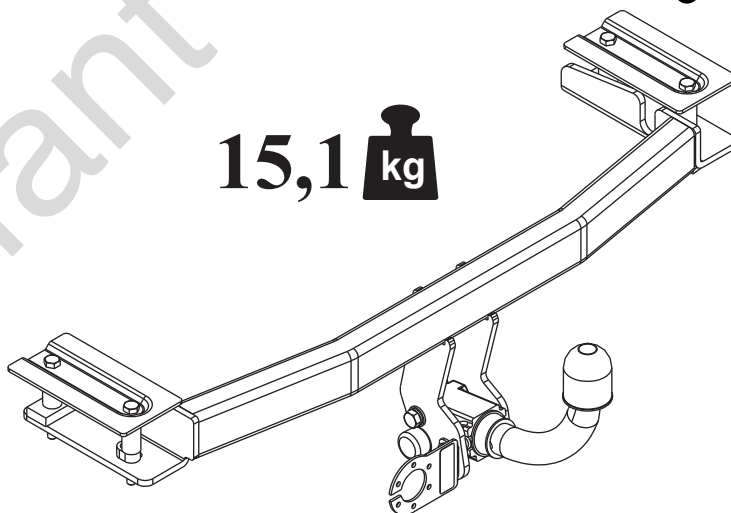


S=50 kg



-

15,1 kg



M6 - 8,5 Nm
M10 - 41 Nm
M14 - 112 Nm

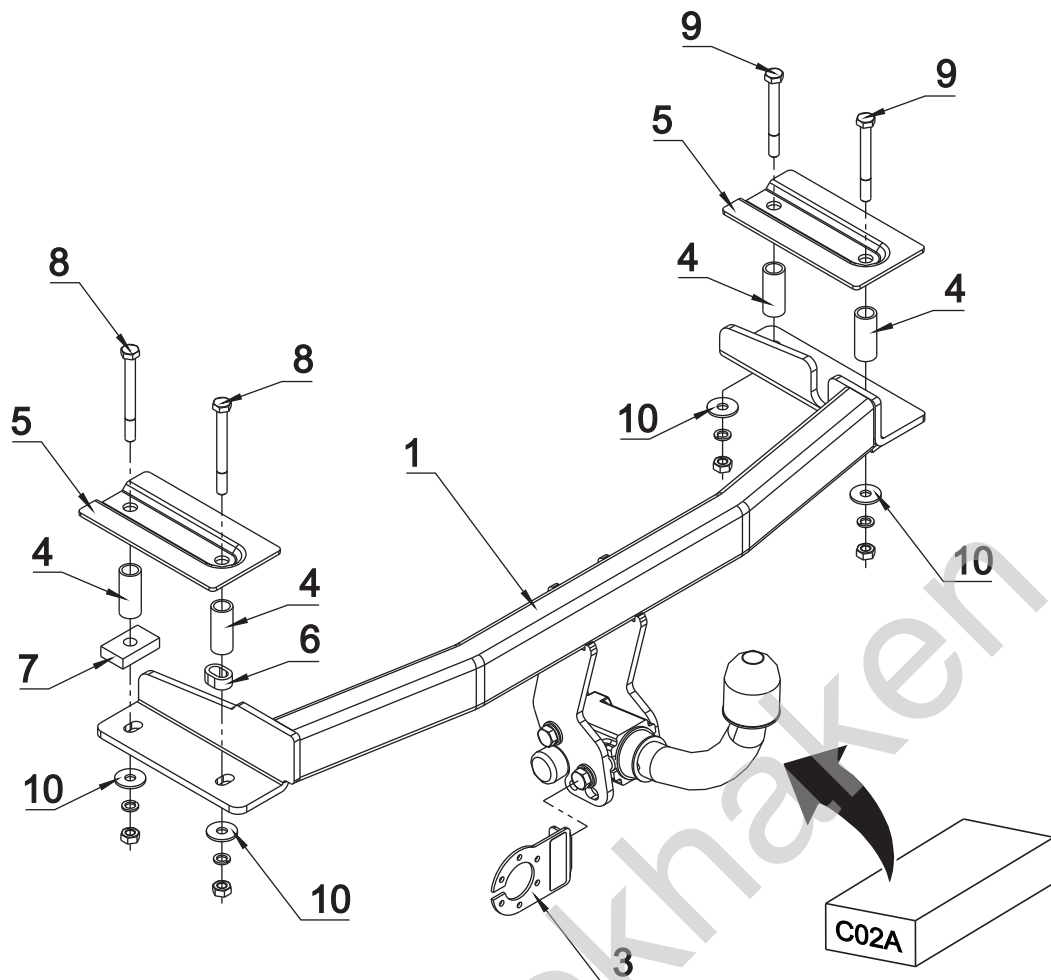
M8 - 20 Nm
M12 - 70 Nm
M16 - 170 Nm



0 km →



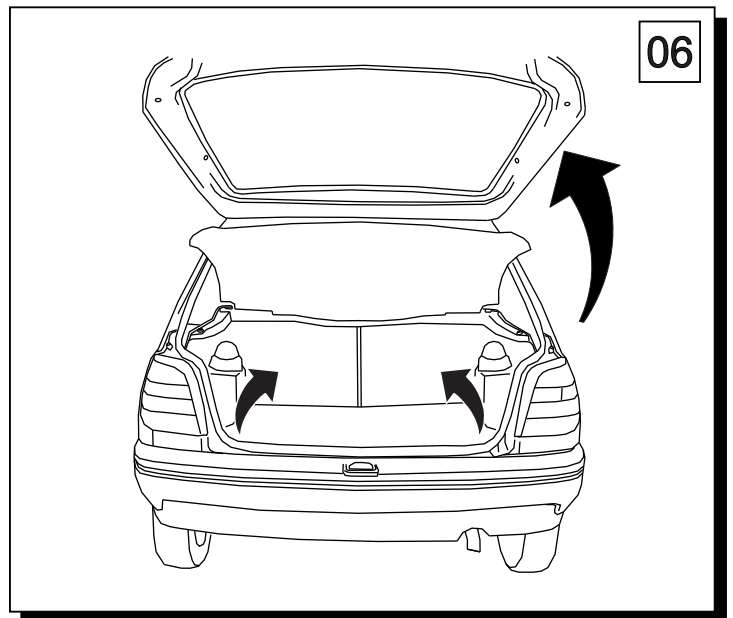
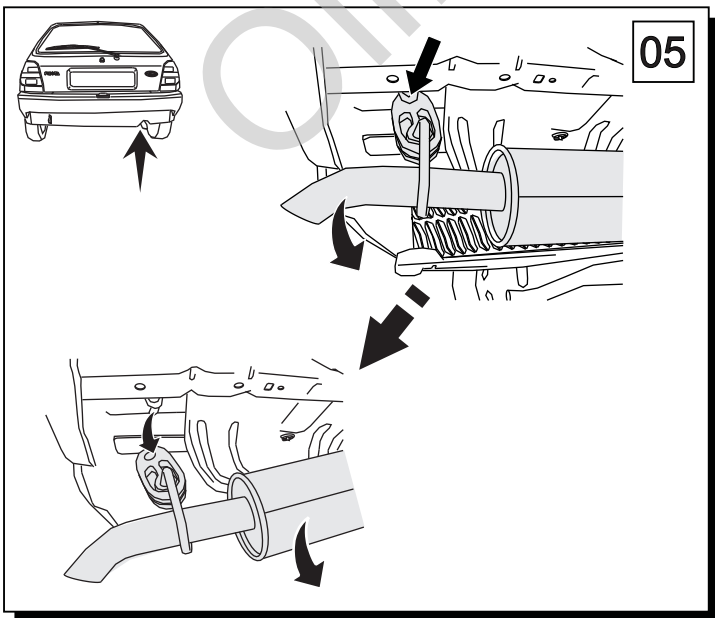
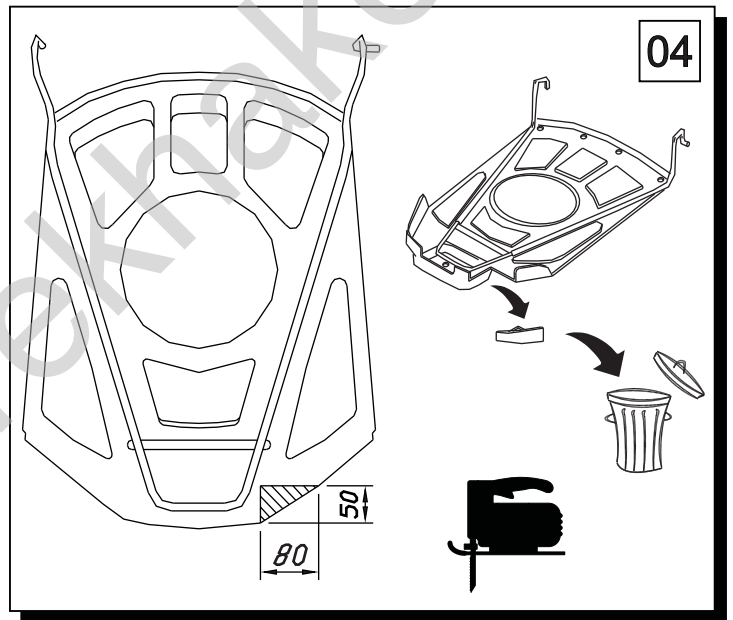
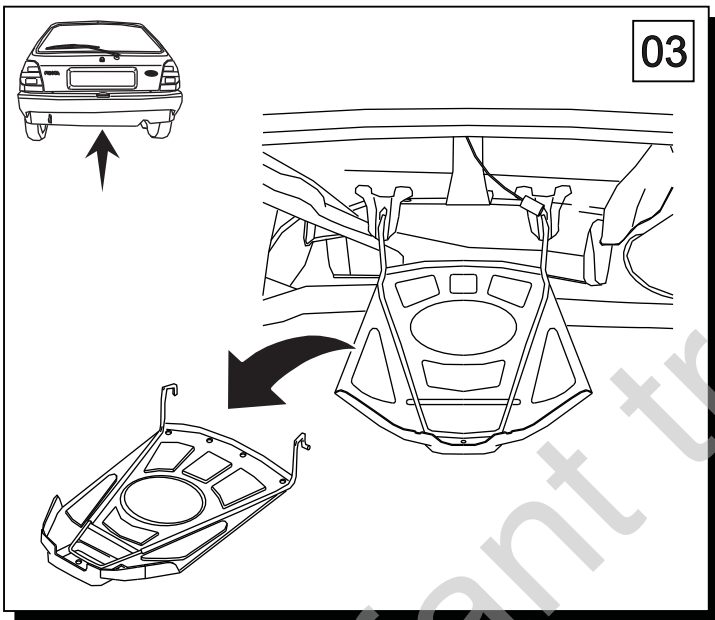
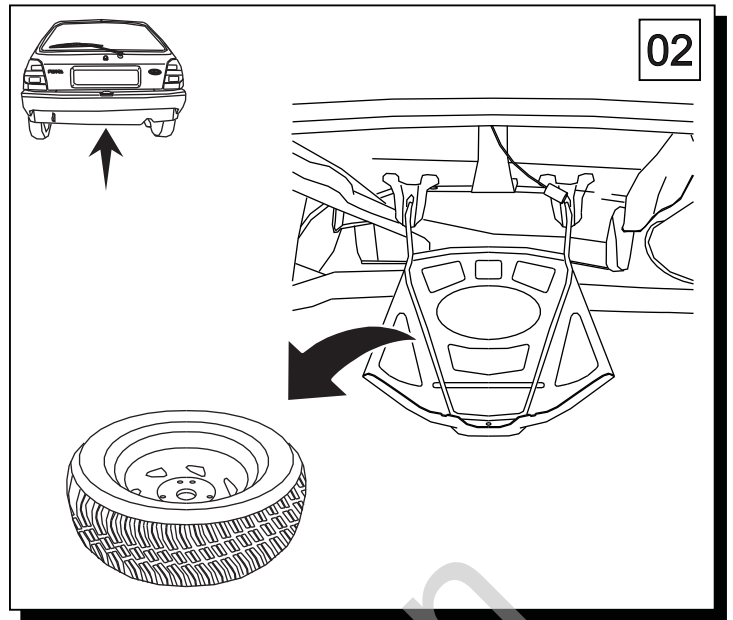
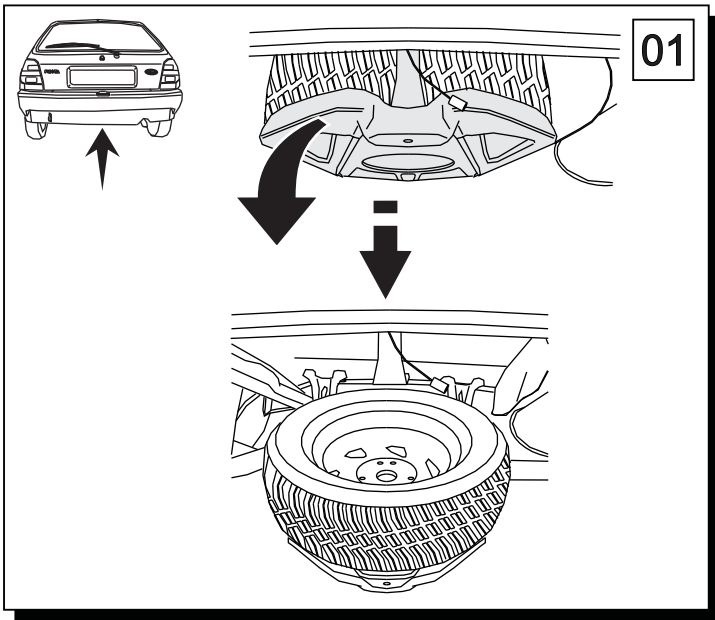
1000 km

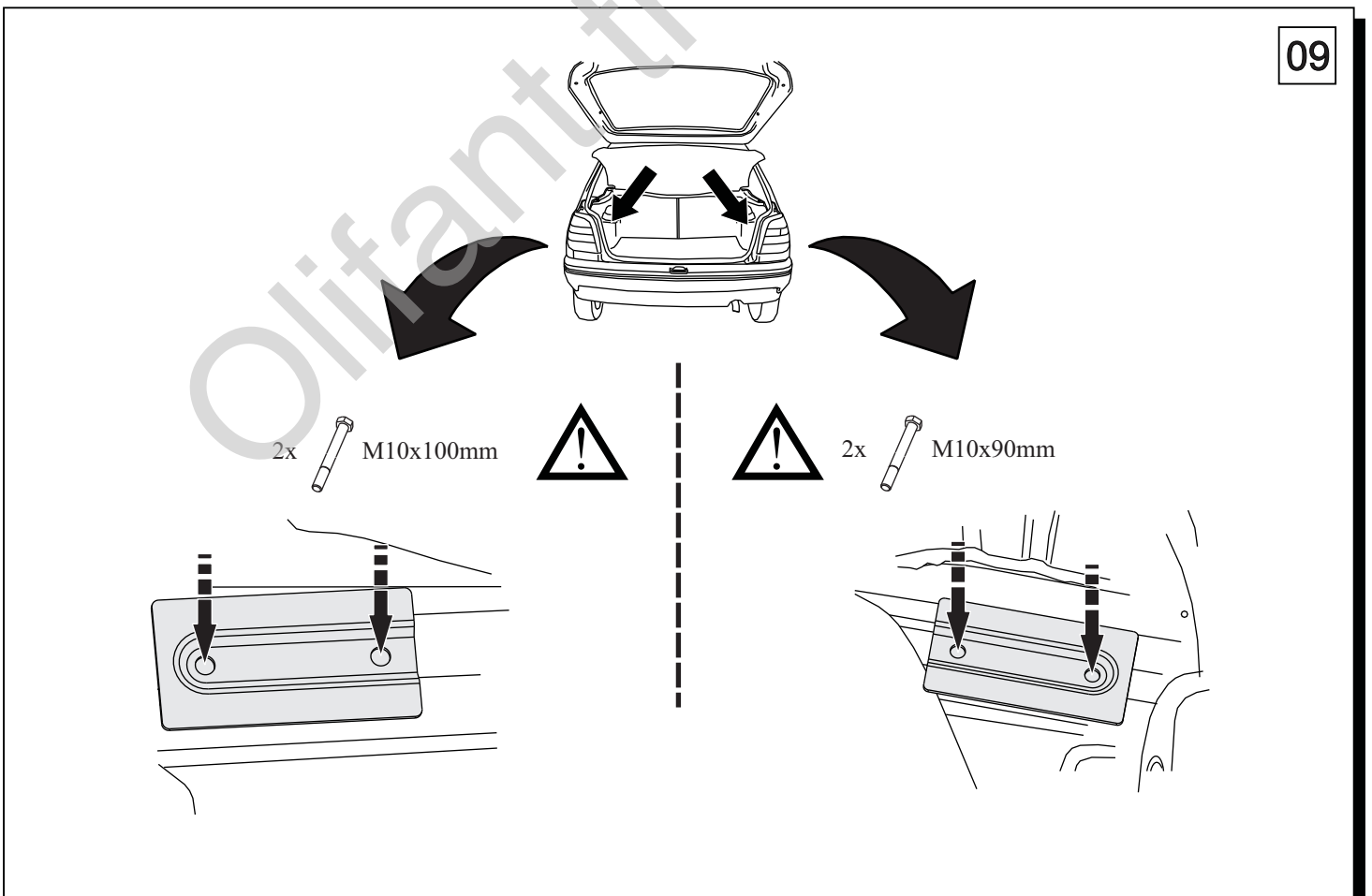
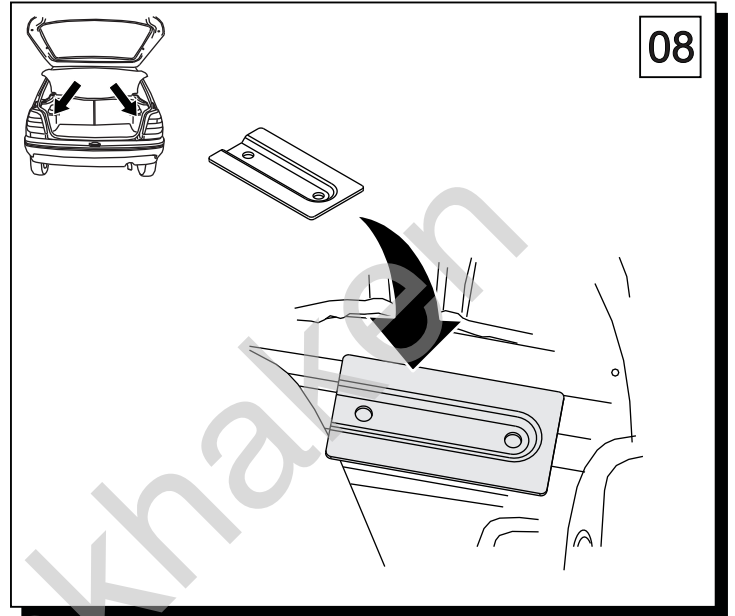
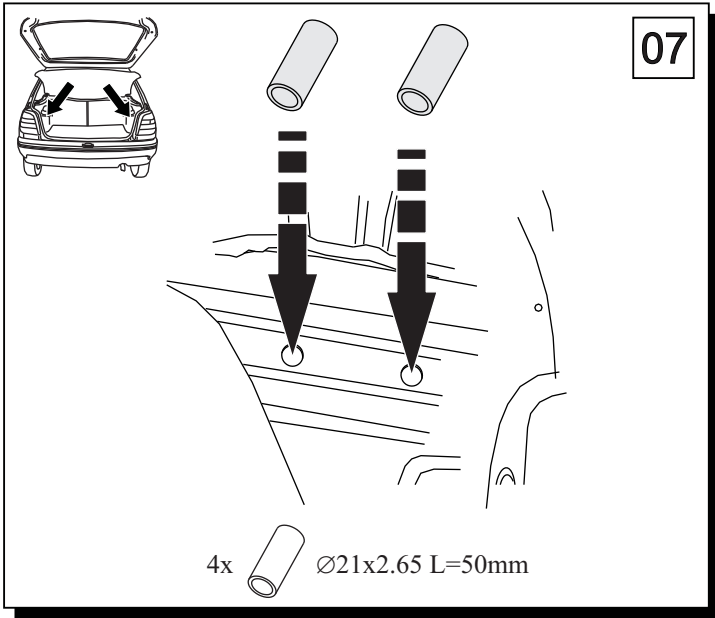


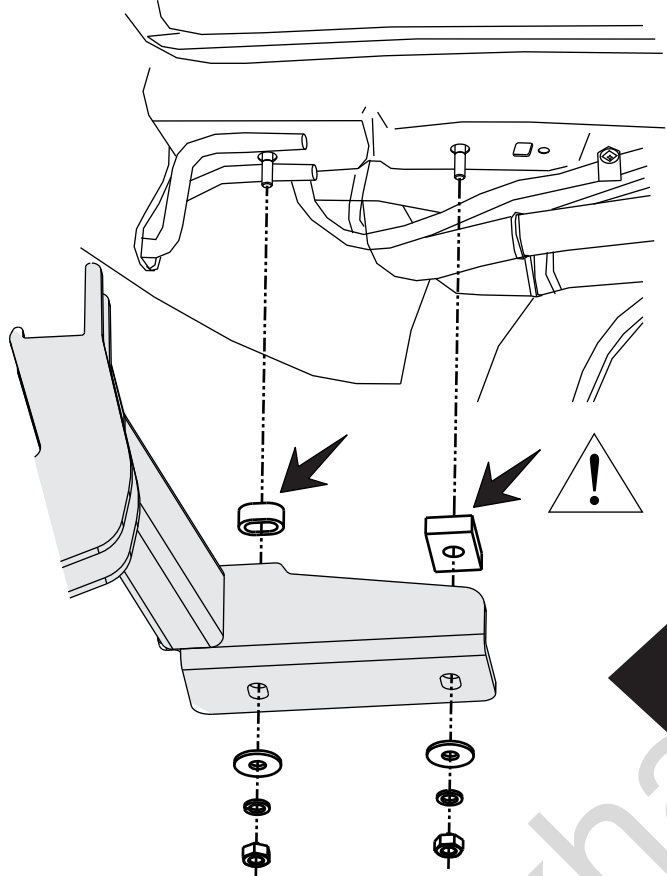
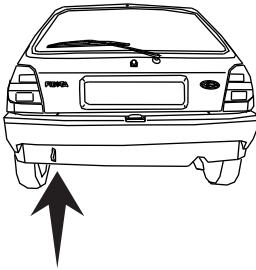
1		x1		8 M10x100	x2
				9 M10x90	x2
				10 \varnothing 30x \varnothing 10.5x2.5 10 DIN 9021	4
				11 \varnothing 10.2	x4
2		x1		12 M10	x4
3		x1			
4		x4			
5		x2			
6		x1			
7		x1			

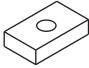




Art. nr-KL1C02A

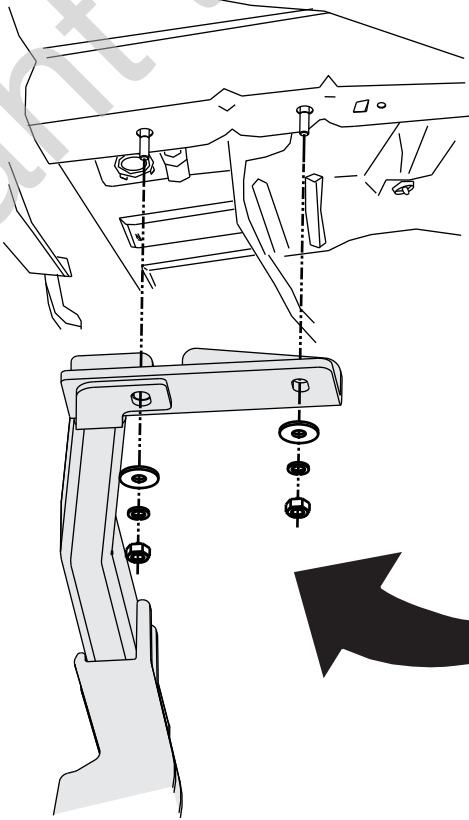
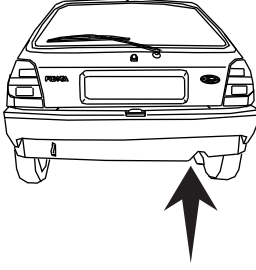
Art. nr-BL1C02A








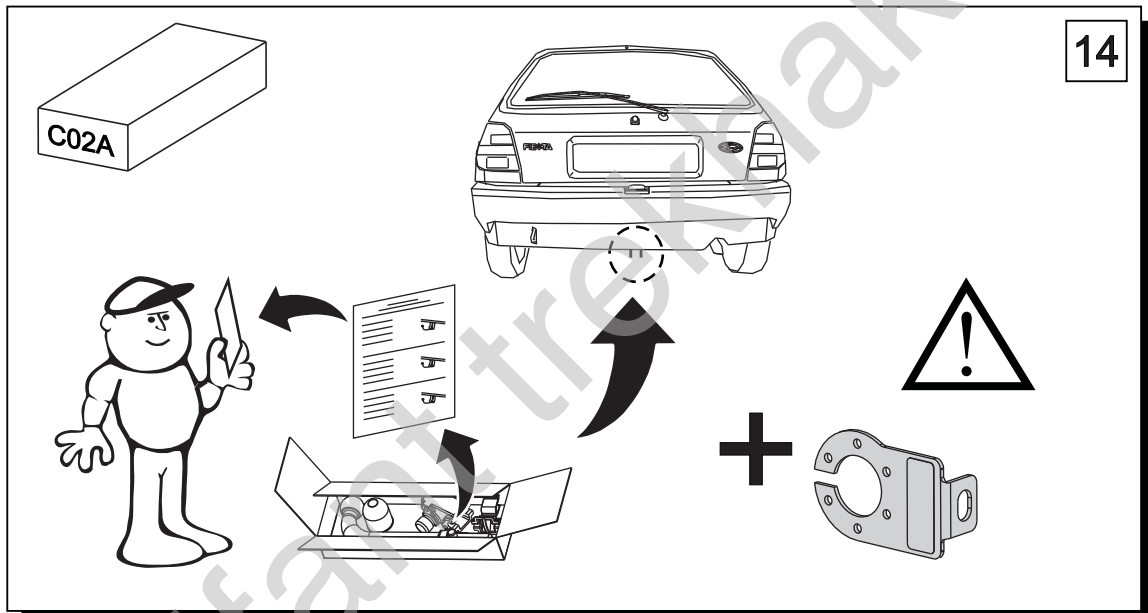
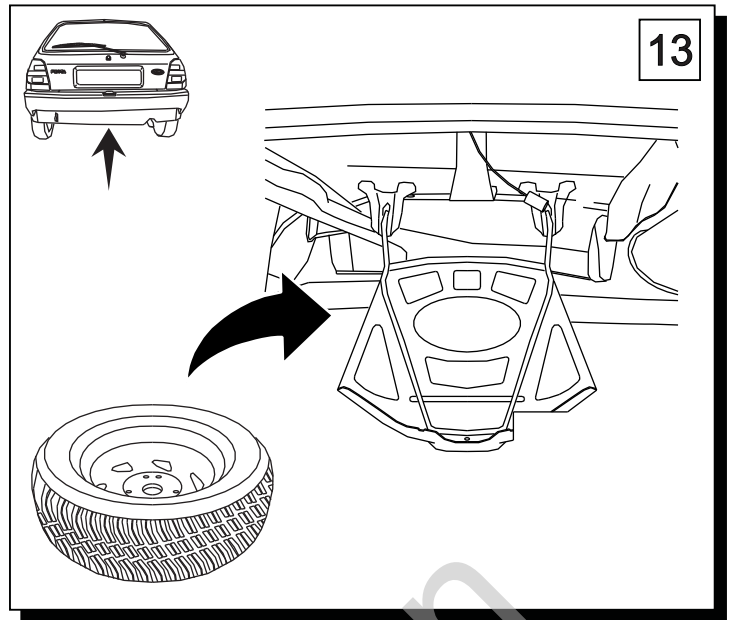
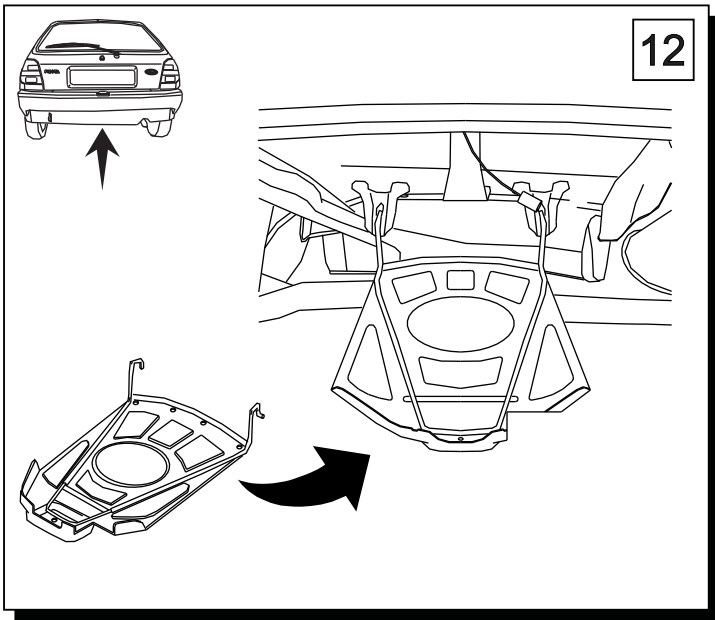



- 1x 
- 1x 
- 2x  Ø30xØ10.5x2.5
- 2x  Ø10.2
- 2x  M10





- 2x  Ø30xØ10.5x2.5
- 2x  Ø10.2
- 2x  M10





	M6 - 11 Nm	M8 - 25 Nm
	M10 - 50 Nm	M12 - 87 Nm
	M14 - 138 Nm	M16 - 210 Nm

 **0 km** →  **1000 km**