

# PPUH AUTO-HAK Sp.J.

Henryk i Zbigniew Nejman  
ul. Słoneczna 16K 76-200 SŁUPSK  
POLAND

tel/fax +48 59 8 414 414; +48 59 8 414 413

e-mail: [office@autohak.com.pl](mailto:office@autohak.com.pl)

[www.autohak.com.pl](http://www.autohak.com.pl)



# AUTO-HAK



**FORD FIESTA**

3/5D,

~~GT/S/XR2i~~

Cat. no:

**C02**



04.1989 → 12.1995



E20-55R-01 0900

**D**

5,5 kN



R=940 kg



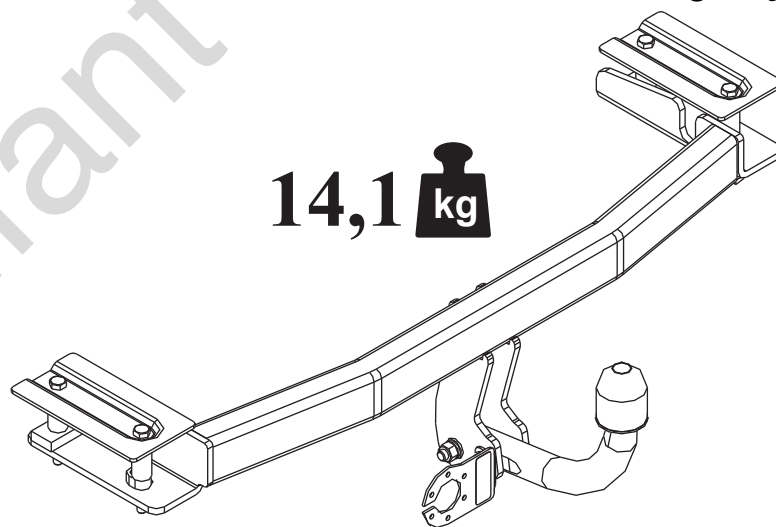
S=50 kg



1,5h



14,1  kg



M6 - 8,5 Nm  
M10 - 41 Nm  
M14 - 112 Nm

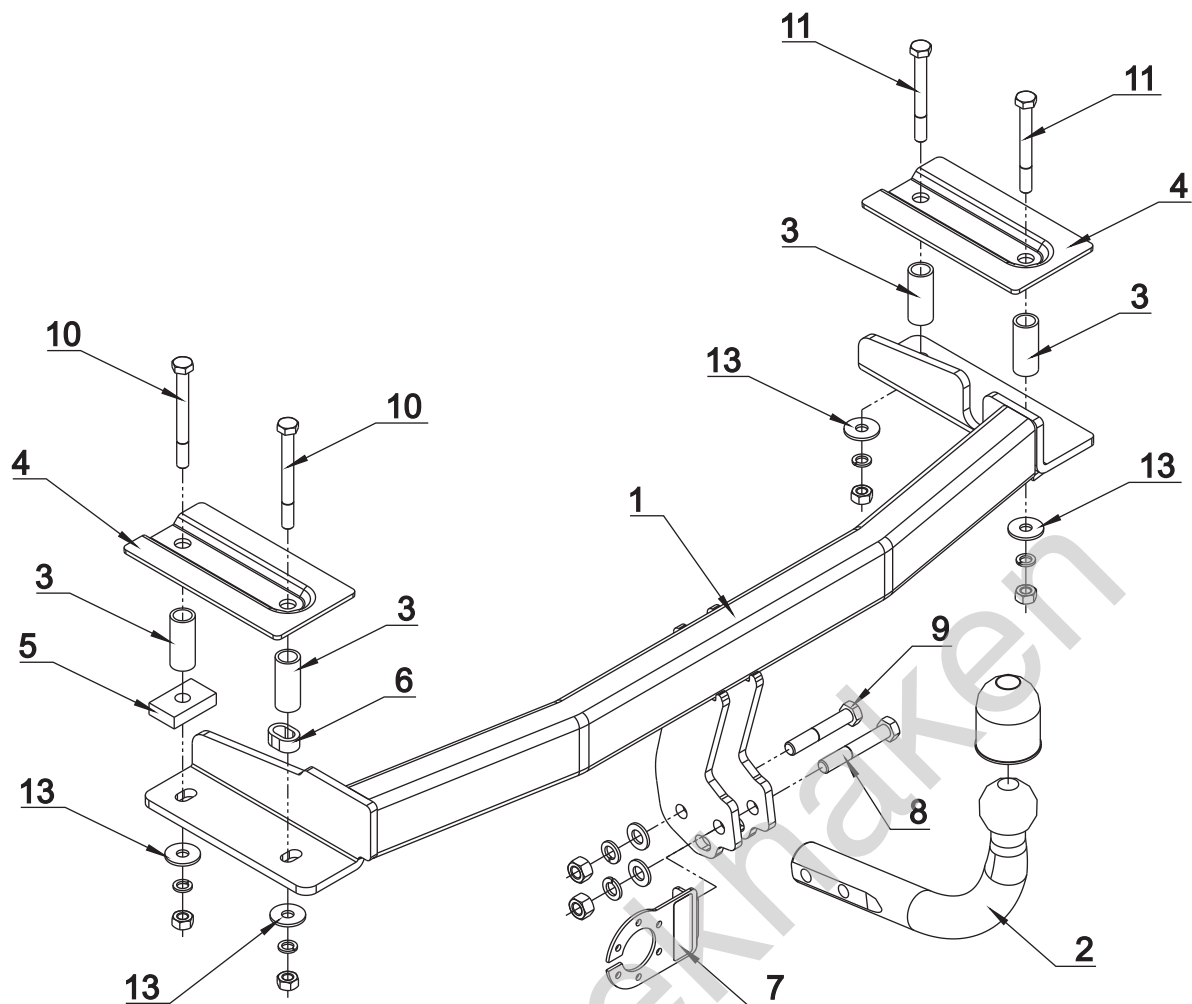
M8 - 20 Nm  
M12 - 70 Nm  
M16 - 170 Nm

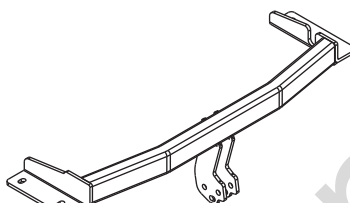



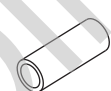

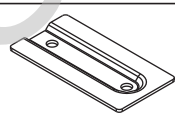

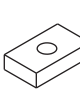

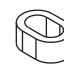

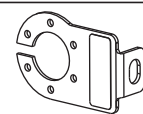


0 km →



1000 km

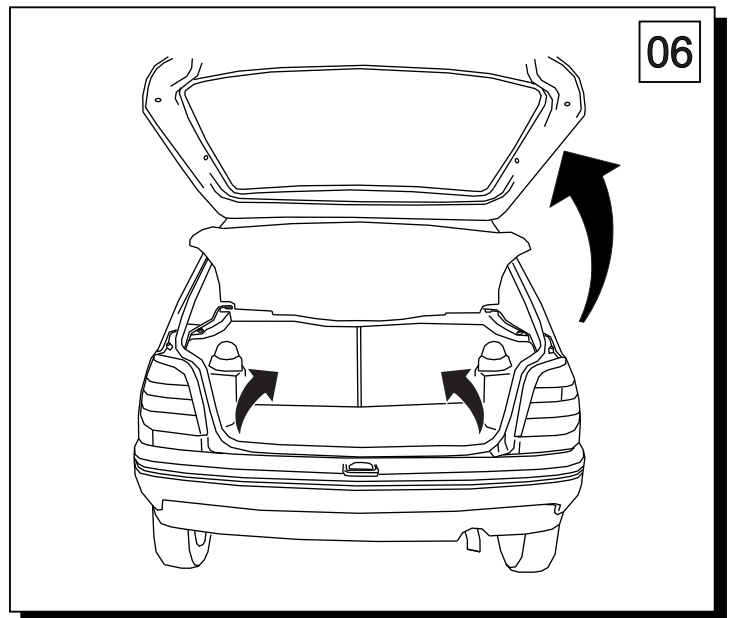
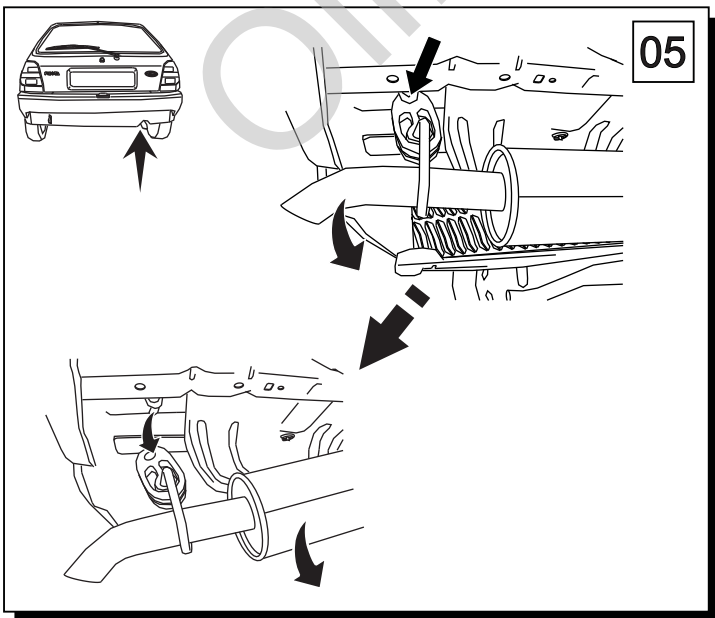
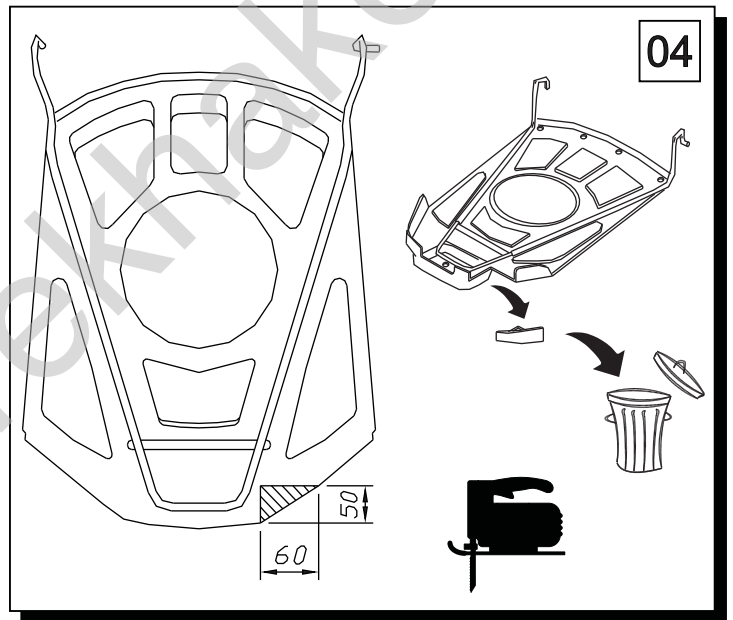
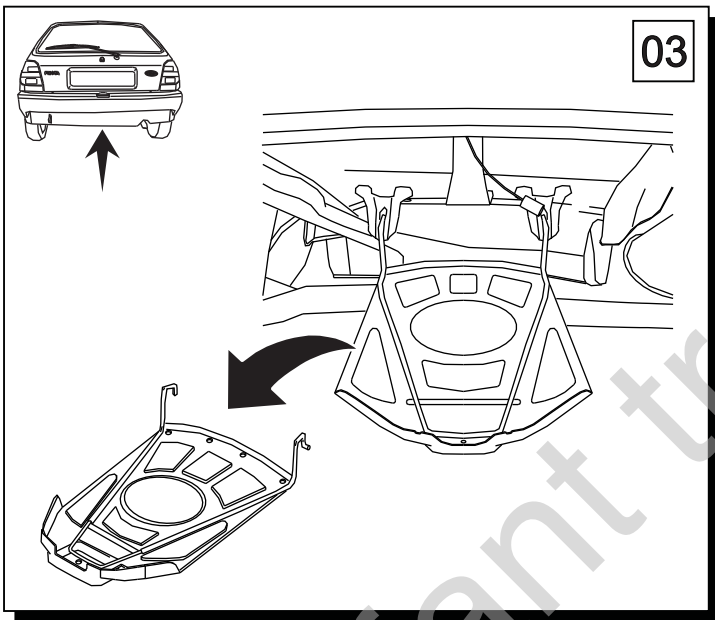
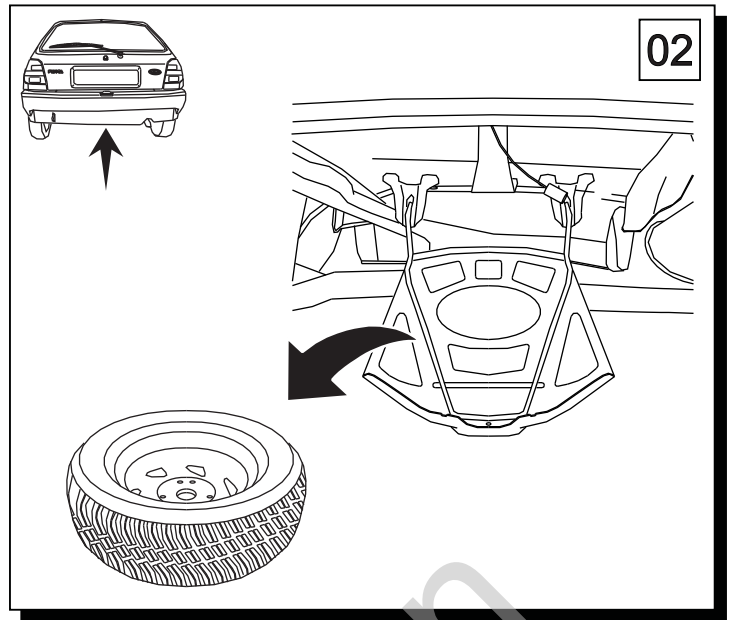
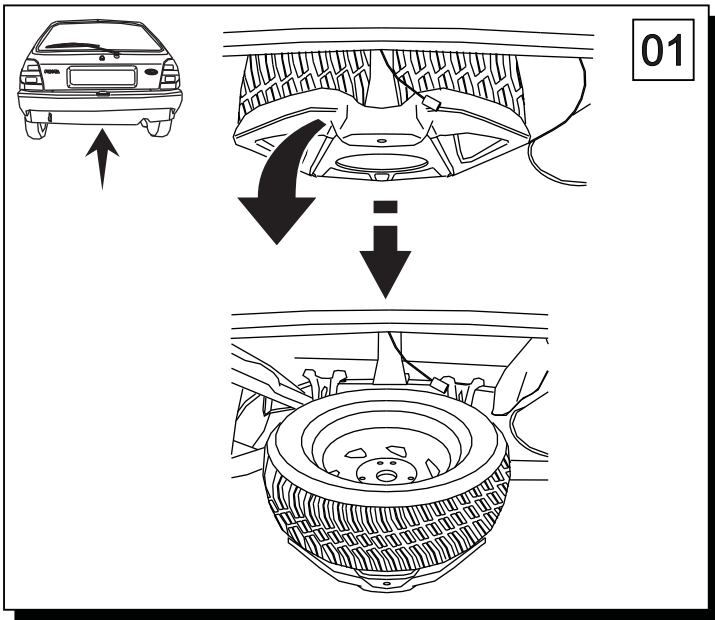


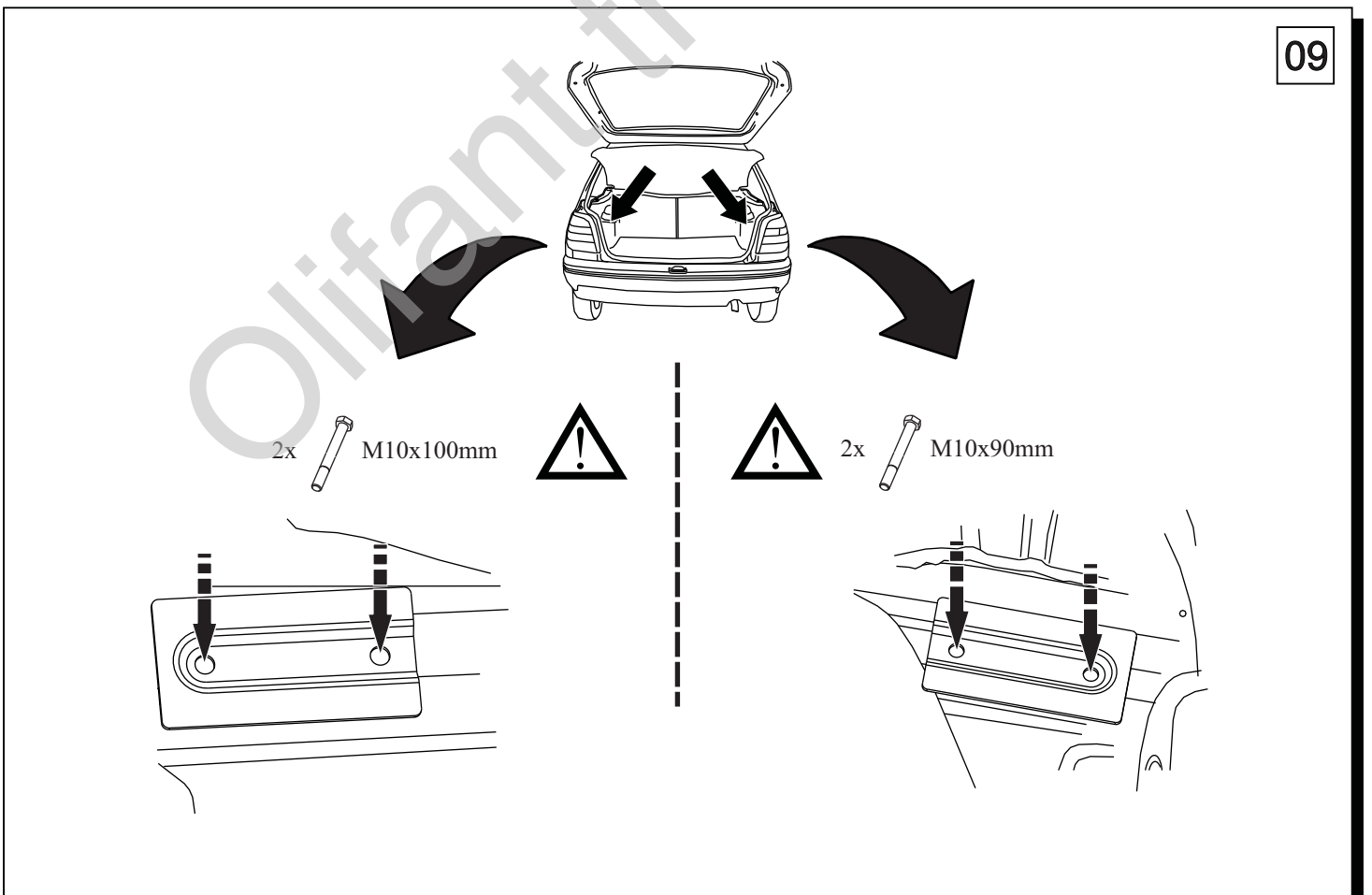
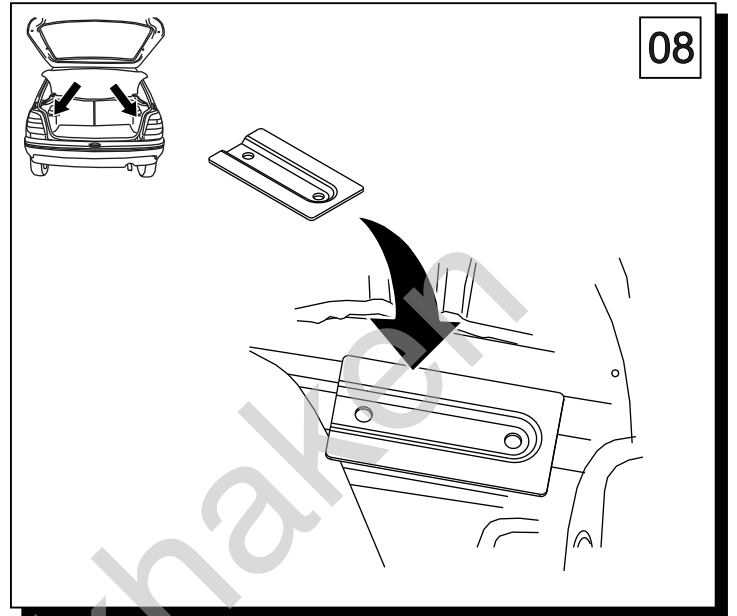
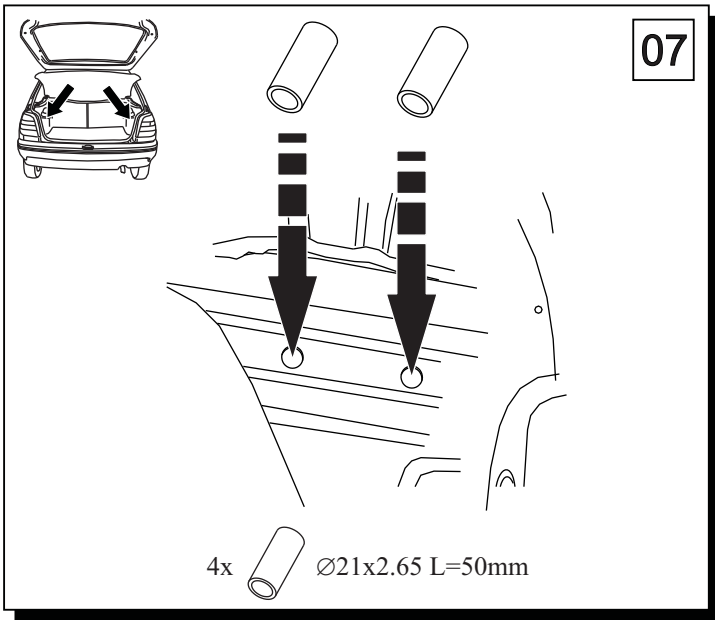
1		x1		8	M12x75	x1
				9	M12x70	x1
2		x1		10	M10x100	x2
				11	M10x90	x2
3		x4		12	∅ 13	x2
				13	∅ 30x∅10.5x2.5 10 (DIN 9021)	x4
4		x2		14	∅ 12.2	x2
				15	∅ 10.2	x4
5		x1		16	M12	x2
				17	M10	x4
6		x1		18		x1
7		x1				

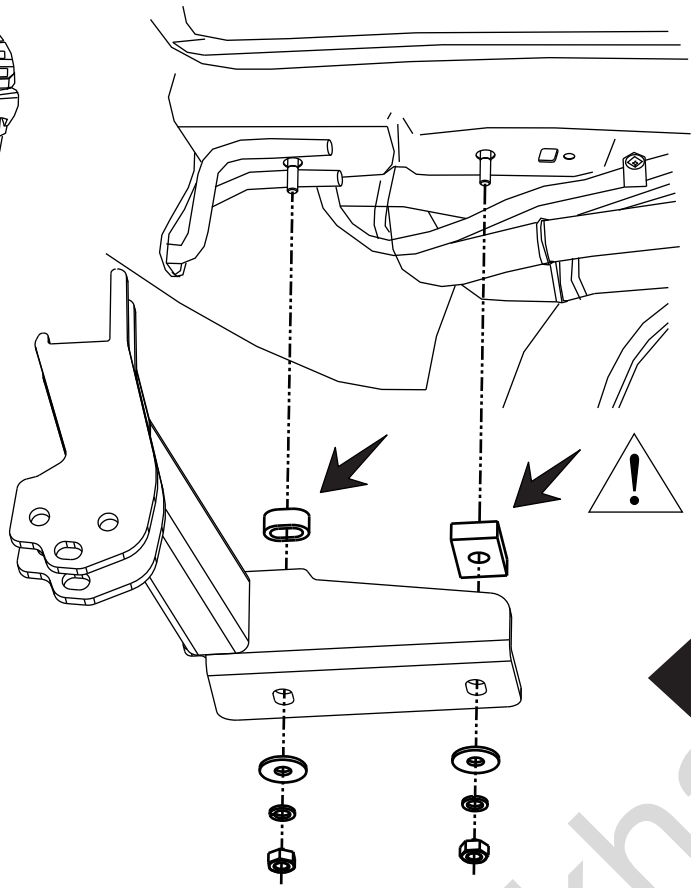
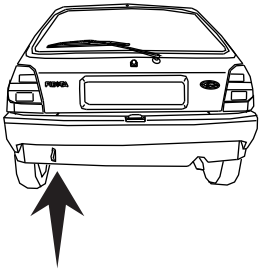
Art. nr-BL1C02

Art. nr-KL1C02

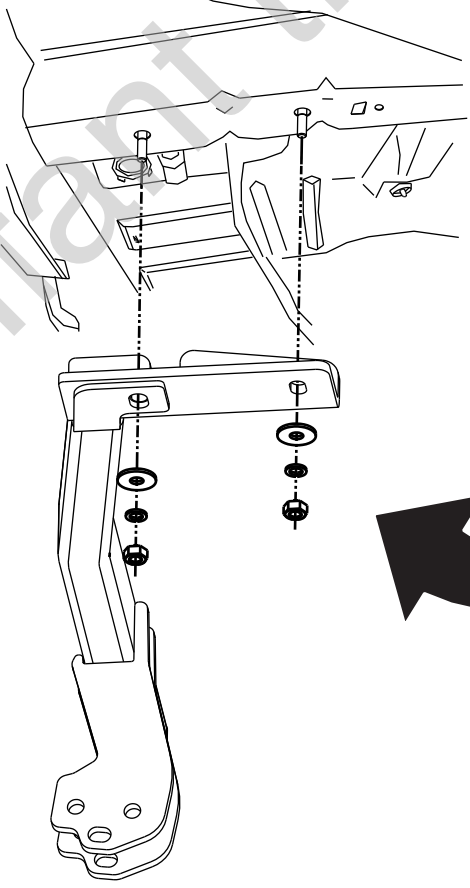
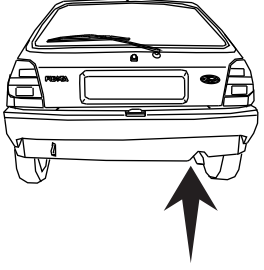
∅21x2.65 L=50mm







- 1x
- 1x
- 2x Ø30xØ10.5x2.5
- 2x Ø10.2
- 2x M10



- 2x Ø30xØ10.5x2.5
- 2x Ø10.2
- 2x M10

