

AUTO-HAK Sp. z o.o.

ul. Słoneczna 16K 76-200 SŁUPSK
POLAND

tel/fax +48 59 8 414 414; +48 59 8 414 413

e-mail: office@autohak.com.pl

www.autohak.com.pl



AUTO-HAK

BMW X4 (G02)

+ model M..


+ M-Package

+ X-Line


Cat. no:


B31A

 04.2018 →



 E20-55R-01 6014

D 12,6 kN

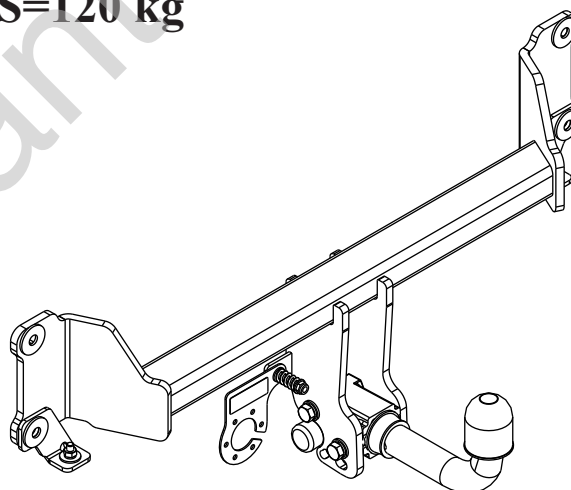
 R=2500 kg

 S=120 kg

  **2h**

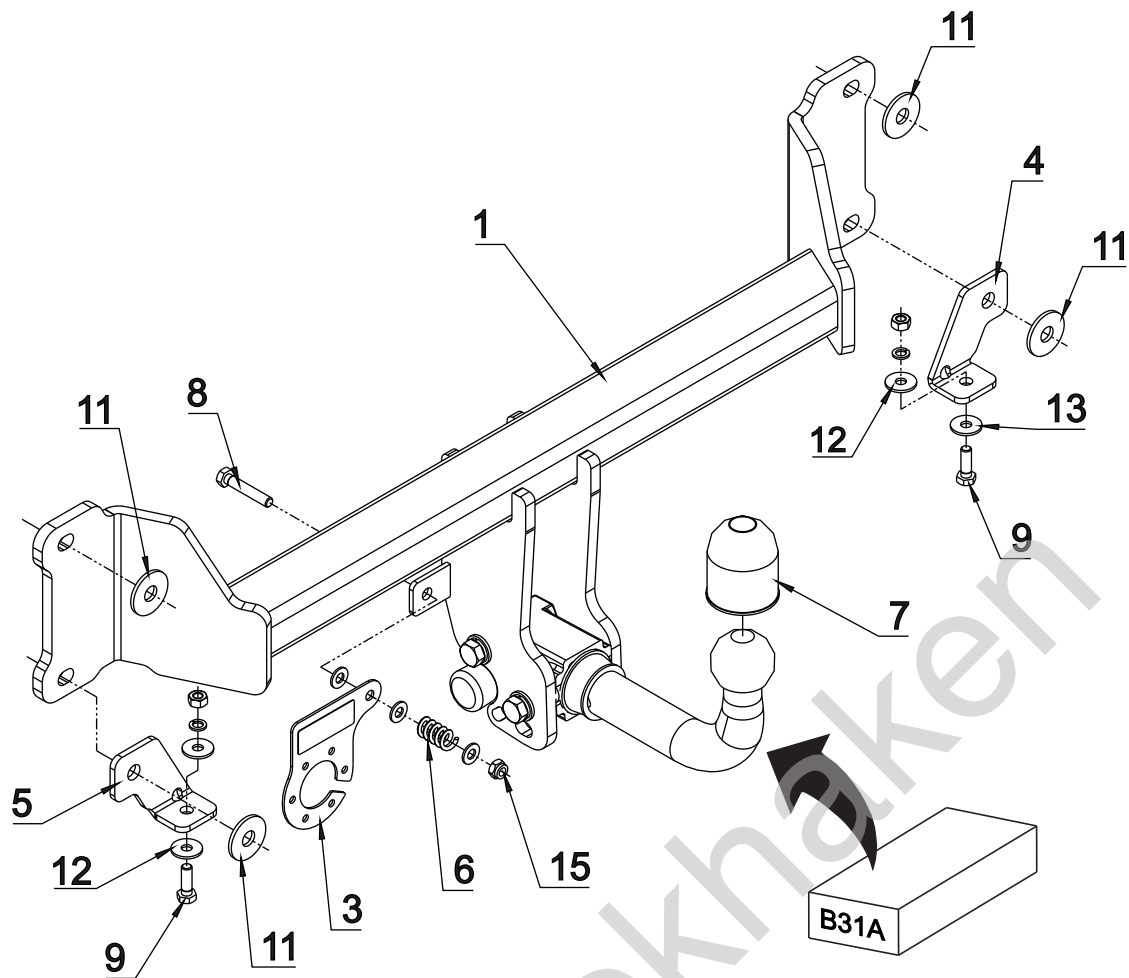


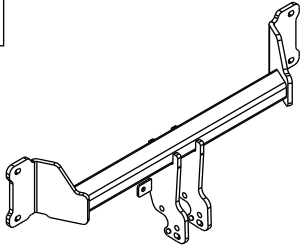

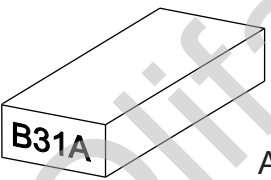


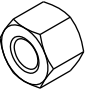



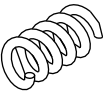



M6 - 11 Nm
M10 - 50 Nm
M14 - 138 Nm

M8 - 25 Nm
M12 - 87 Nm
M16 - 210 Nm

 0 km →  1000 km

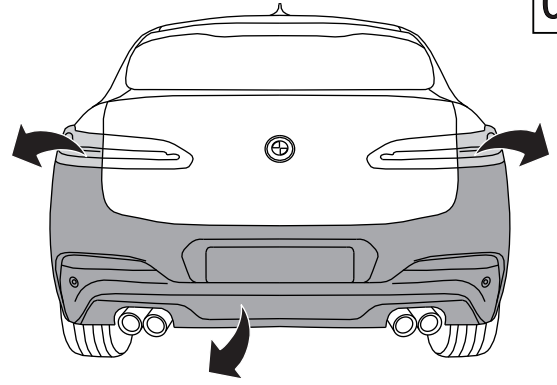
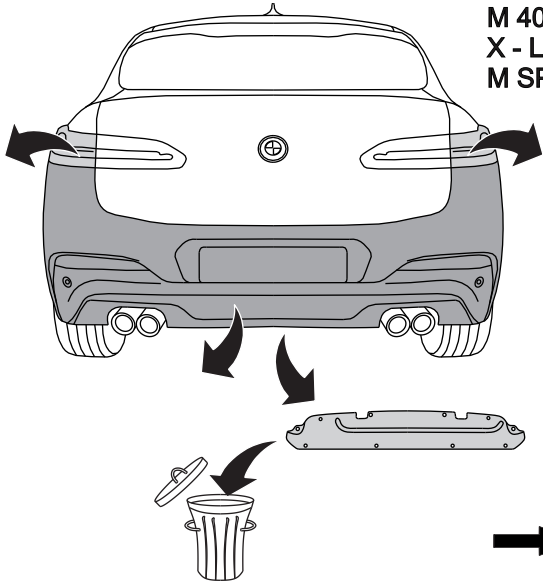


1		x1		8	M 8x45	x1
				9	M 8x25	x2
				10	∅ 8.4	x3
				11	∅ 37x∅13x3 13 (DIN 9021)	x4
2		x1		12	∅ 24x∅8.5x2 8 (DIN 9021)	x4
				13	∅ 8.2	x2
				Art.nr-KL1B31A		
3		x1		14	M 8	x2
4		x1		15	M 8 (DIN985)	x1
5		x1				
6		x1				
7		x1				

M SPORT PACKAGE
M 40D
X - LINE
M SPORT X

STANDARD

01

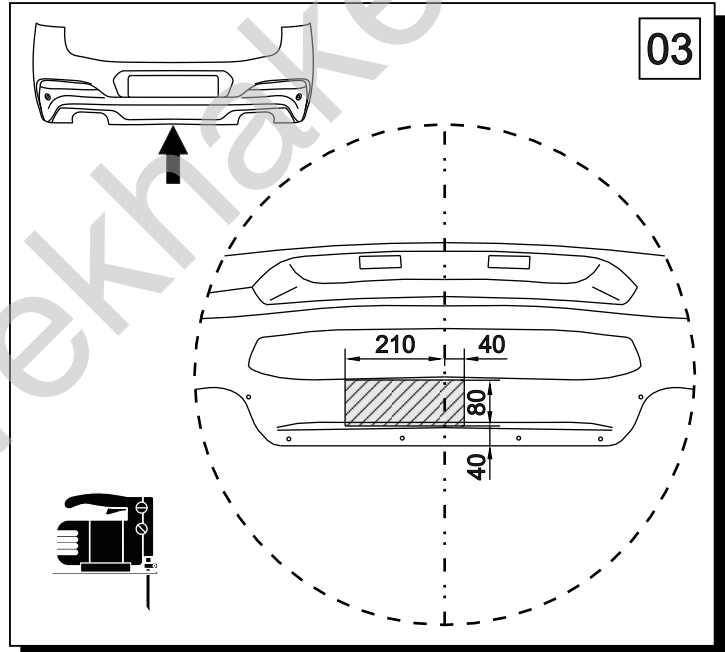
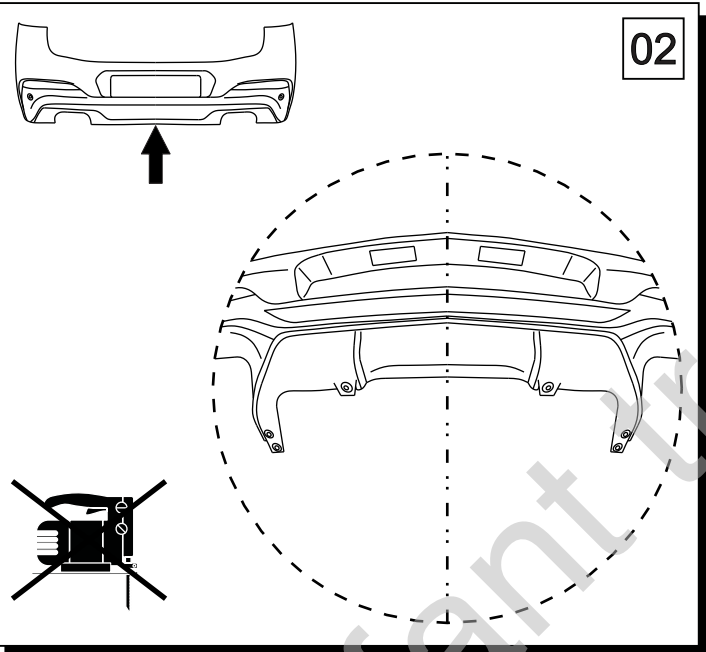


02

03

02

03



04

05

