

# AUTO-HAK Sp. z o.o.

ul. Słoneczna 16K 76-200 SŁUPSK  
POLAND

tel/fax +48 59 8 414 414; +48 59 8 414 413

e-mail: [office@autohak.com.pl](mailto:office@autohak.com.pl)

[www.autohak.com.pl](http://www.autohak.com.pl)



# AUTO-HAK

## BMW X4 (G02)

+ model M.


+ M-Package

+ X-Line


Cat. no:


# B31

 04.2018 →

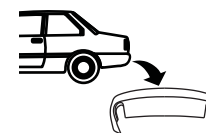
 E20-55R-01 6013

**D** 12,6 kN

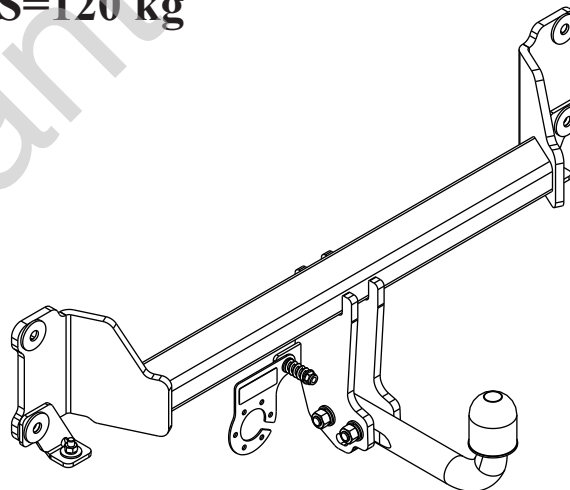
 R=2500 kg

 S=120 kg

 2h



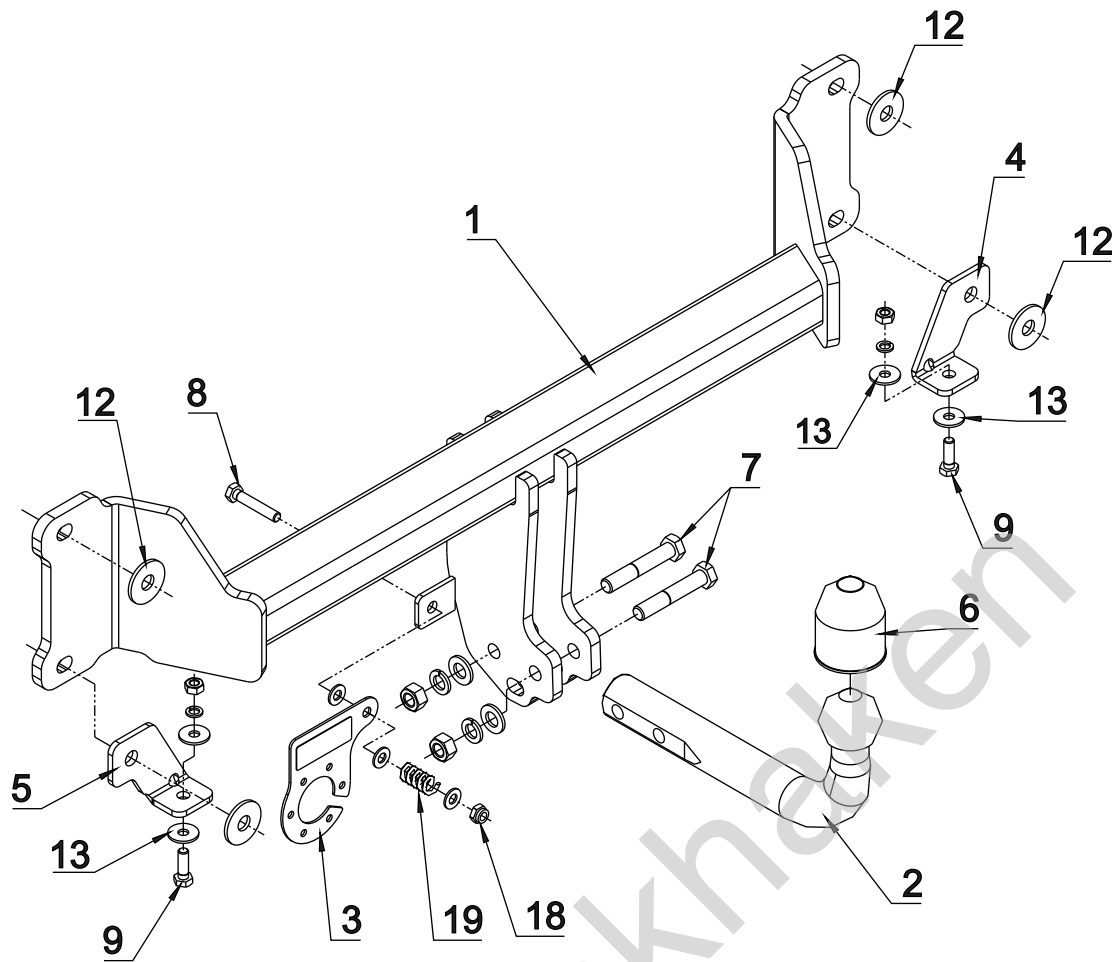


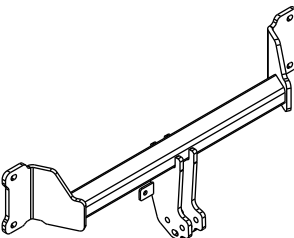

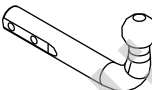
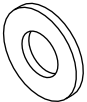





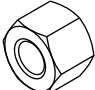


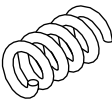


M6 - 11 Nm  
M10 - 50 Nm  
M14 - 138 Nm

M8 - 25 Nm  
M12 - 87 Nm  
M16 - 210 Nm

 0 km →  1000 km



1		x1		7	M12x70	x2
				8	M8x45	x1
2		x1		9	M8x25	x2
				10	∅ 13	x2
3		x1		11	∅ 8.4	x3
				12	∅ 37x∅13x3 13 (DIN 9021)	x4
4		x1		13	∅ 24x∅8.5x2 8 (DIN 9021)	x4
				15	∅ 8.2	x2
5		x1		16	M12	x2
				17	M8	x2
6		x1		18	M8 (DIN985)	x1
				19		x1

