

AUTO-HAK Sp. z o.o.

ul. Słoneczna 16K 76-200 SŁUPSK
POLAND

tel/fax +48 59 8 414 414; +48 59 8 414 413

e-mail: office@autohak.com.pl

www.autohak.com.pl



AUTO-HAK

BMW 3
4 d. (G20), M Pakiet,
~~M3/M Performance~~

Cat. no:

B30A



11.2018 →



E20-55R-01 5903



2h



10,20 kN



R=1980 kg



S=100 kg

17,0 kg



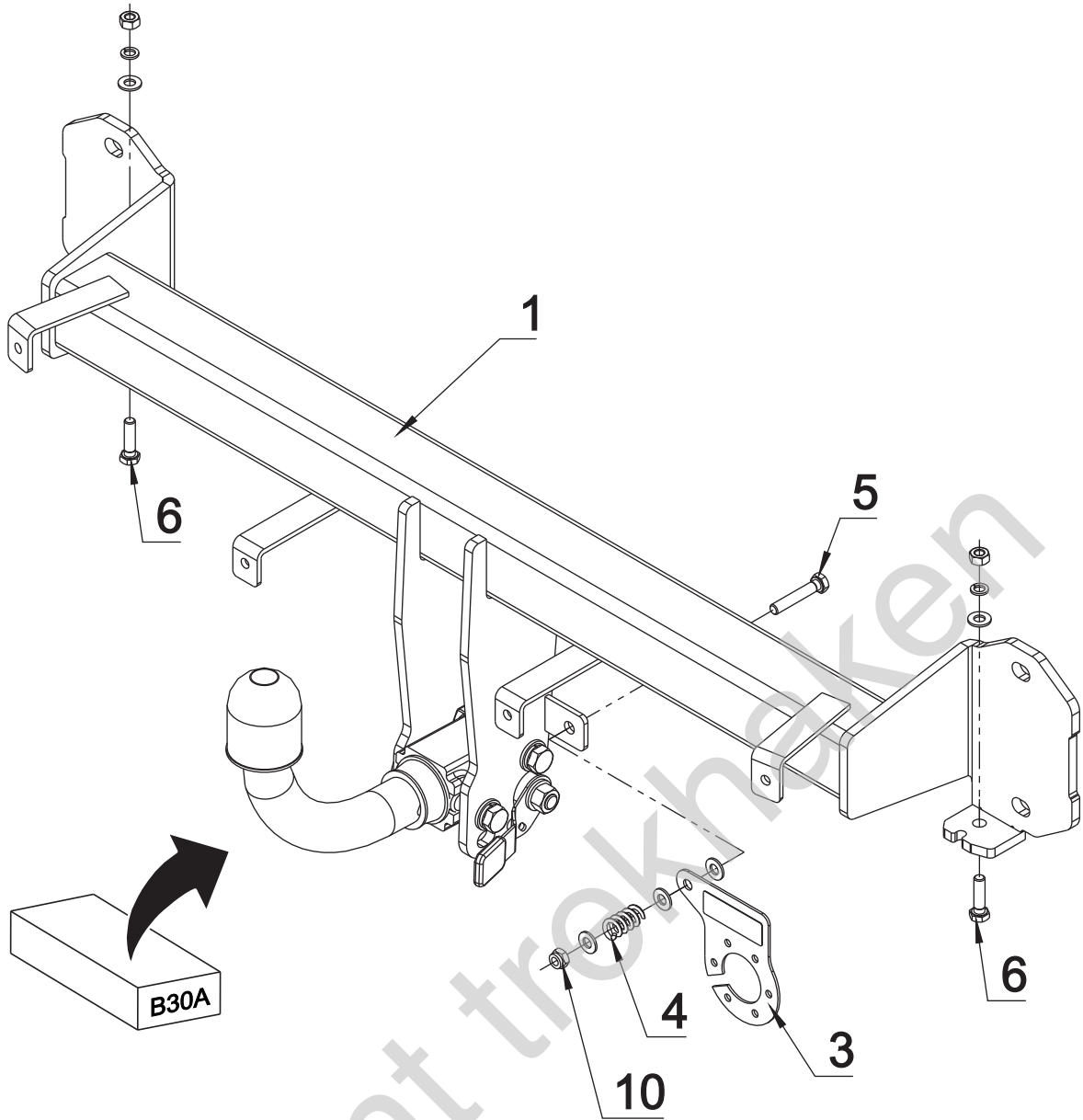
śruba	Nm	M6	M8	M10	M12	M14	M16
klasa 8.8		9,9	24	48	83	132	200
klasa 10.9		14	34	67	117	185	285

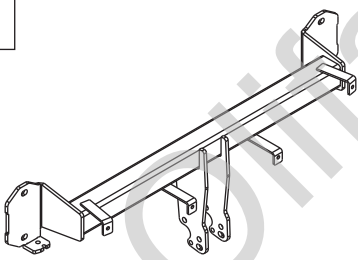




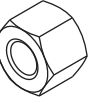
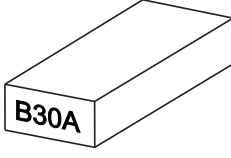





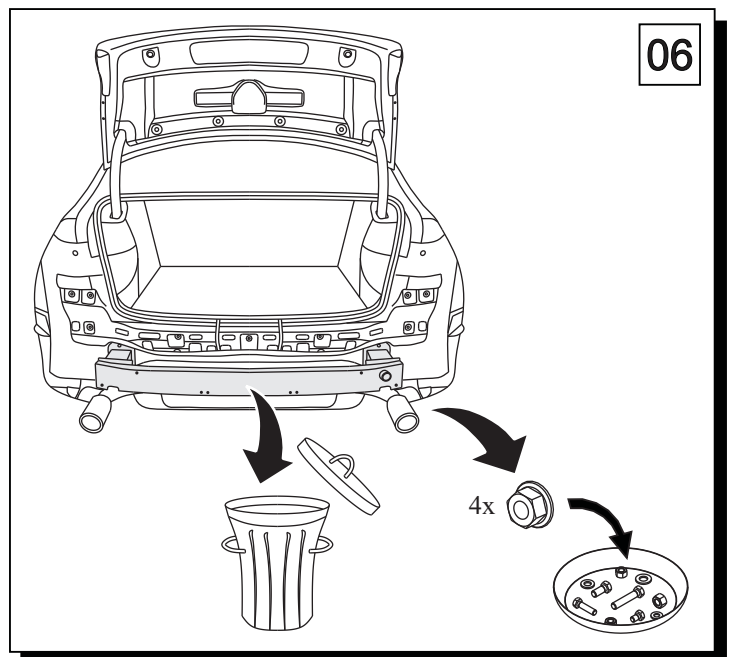
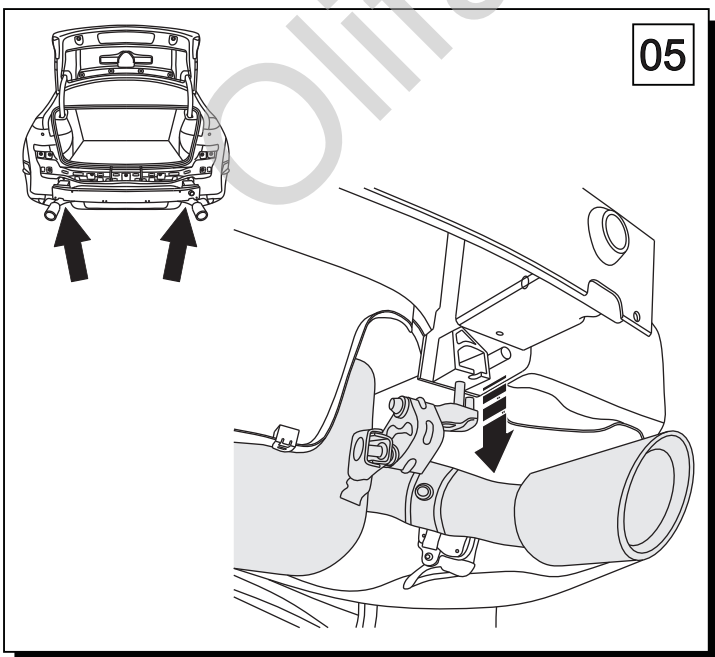
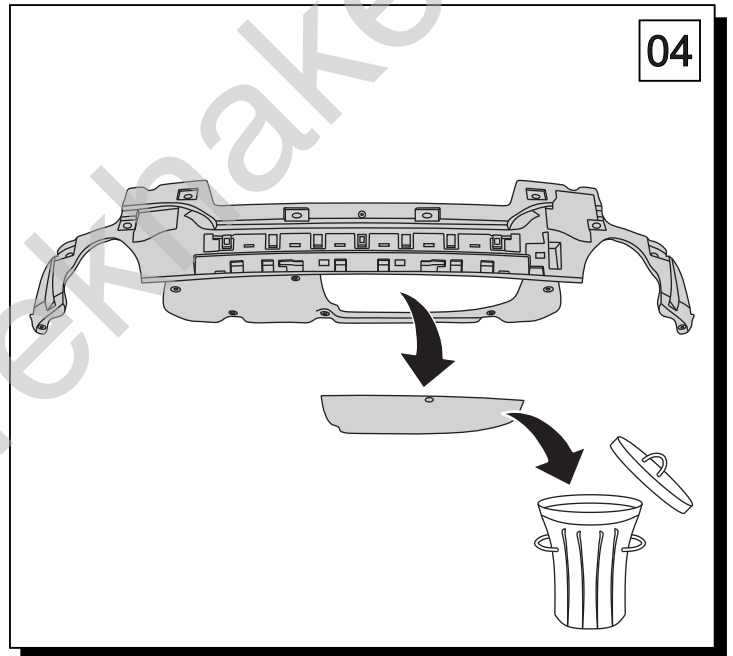
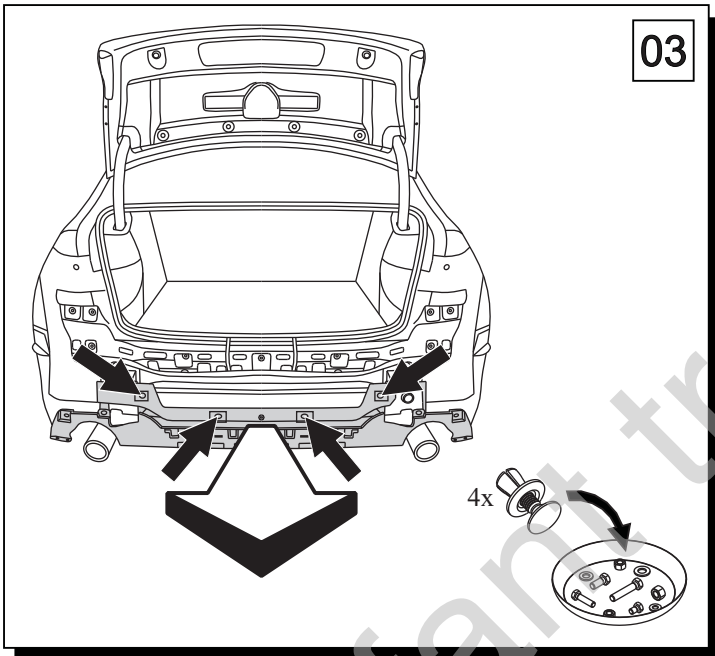
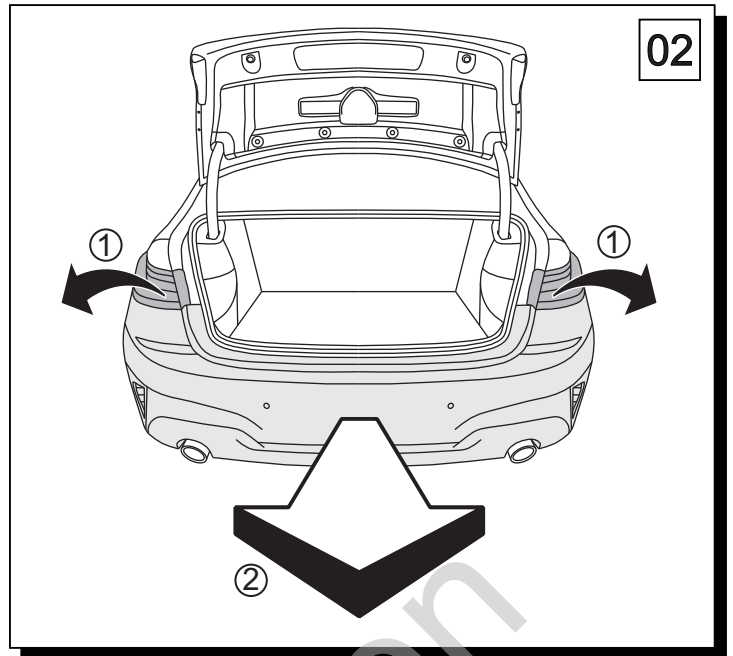
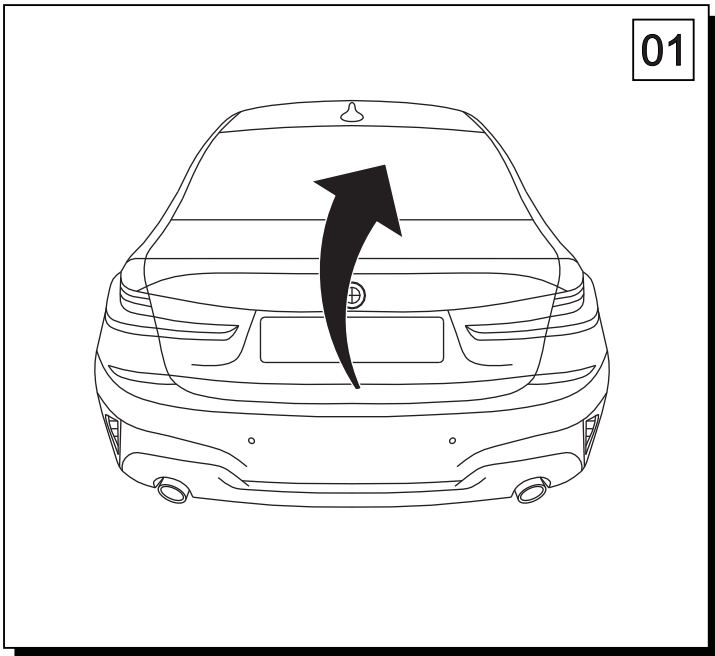
0 km →

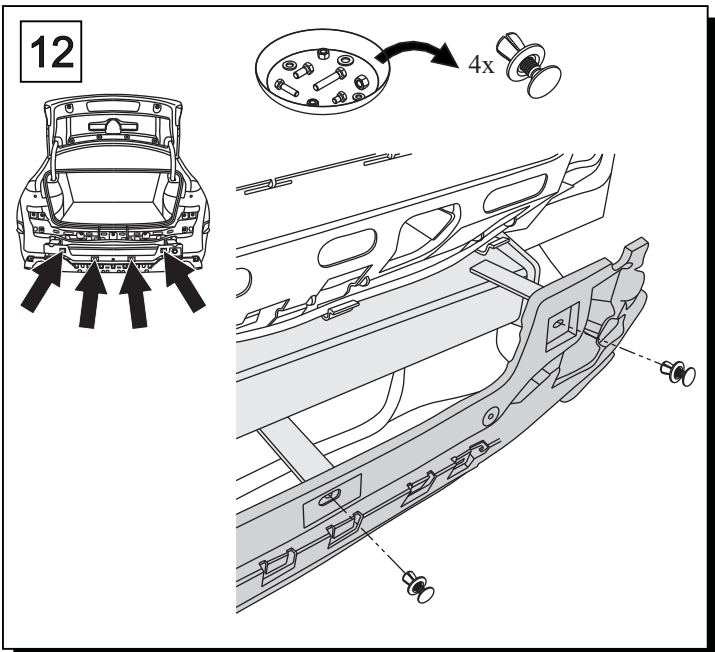
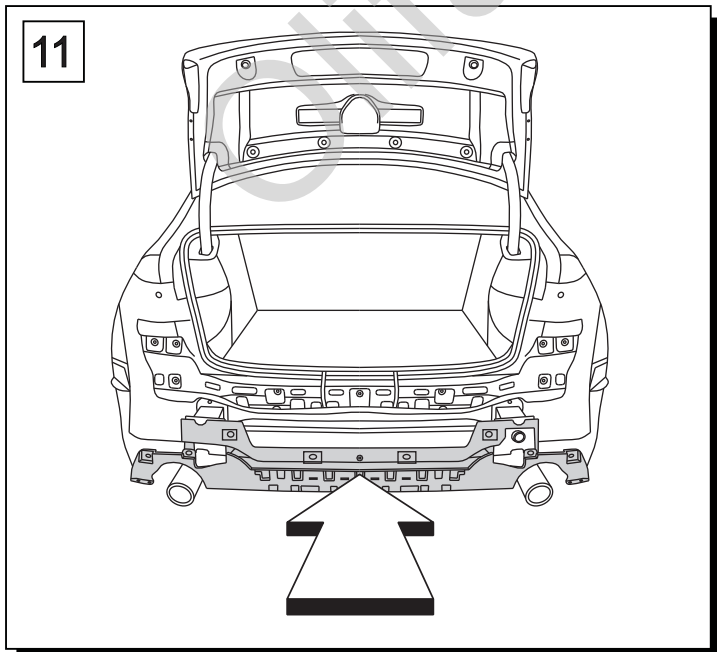
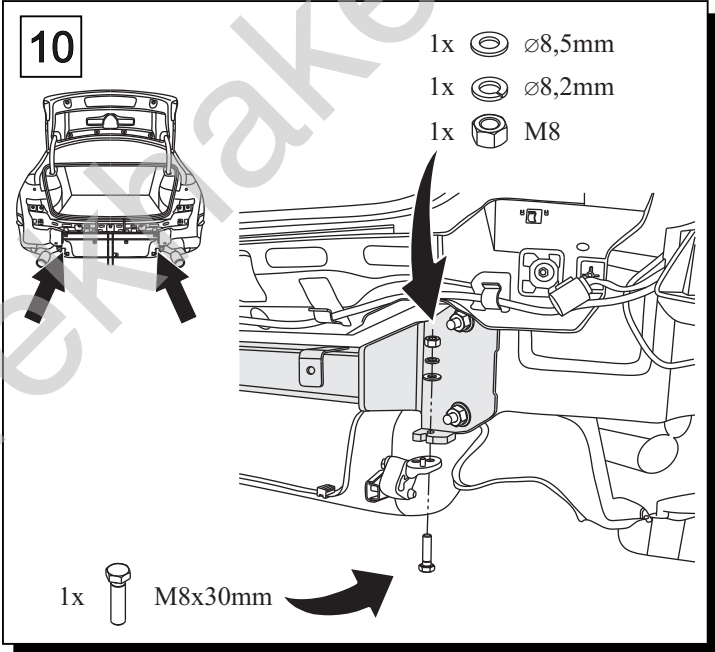
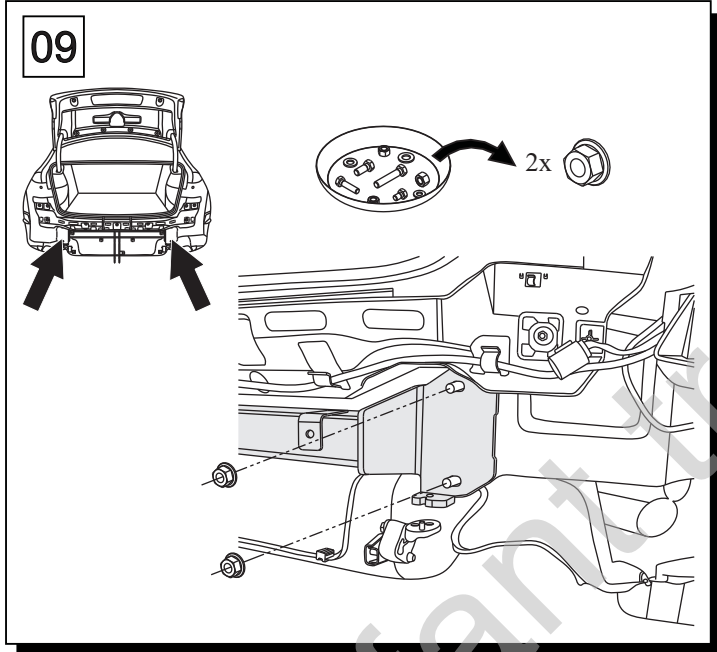
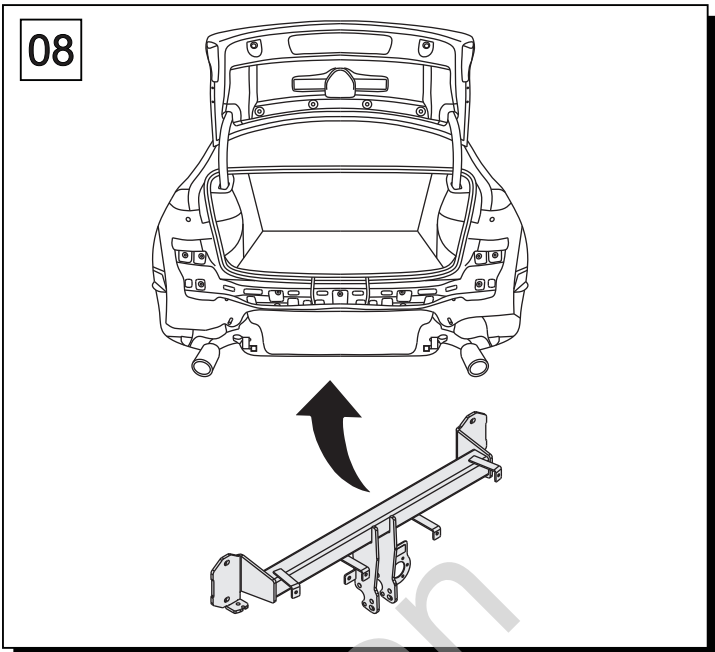
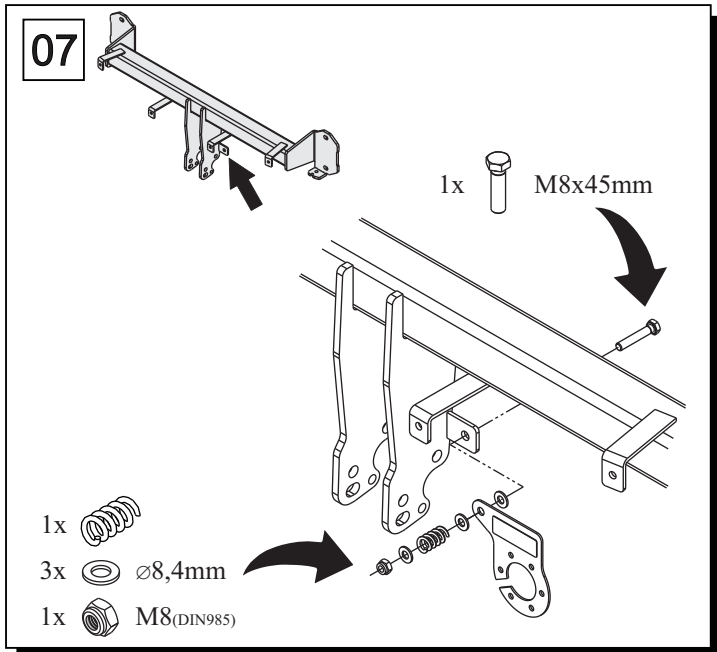


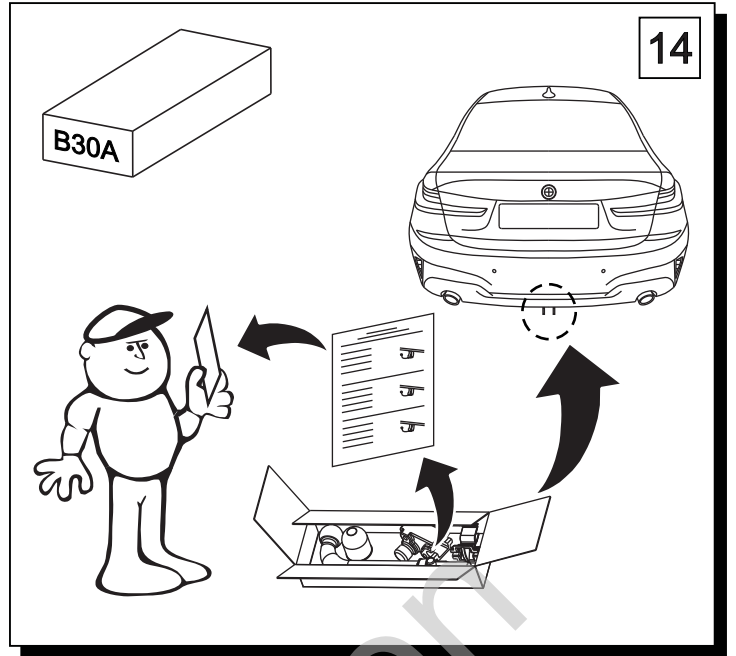
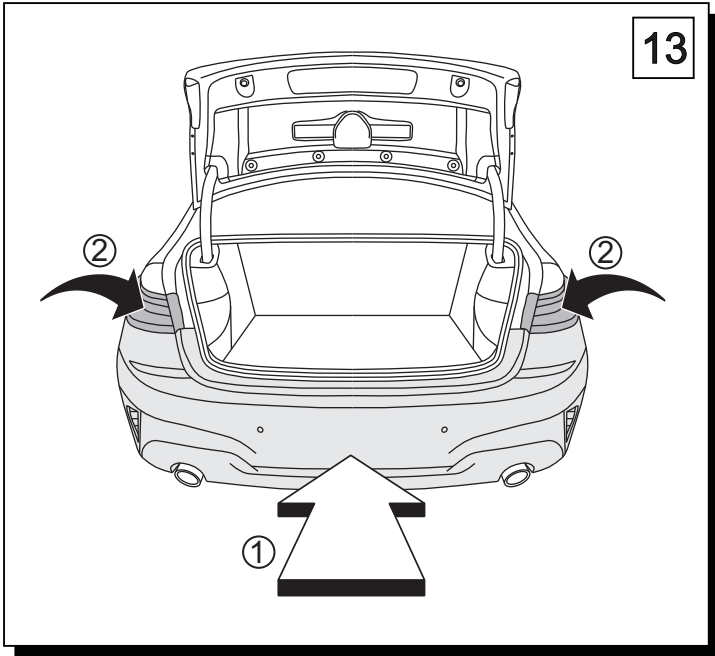
1000 km



1  x 1	x 1		5 M 8x45	x 1
			6 M 8x30	x 2
			7 \varnothing 8.5	x 5
			8 \varnothing 8.2	x 2
			9 M 8	x 2
2  x 1 Art.nr-KL1B30A	x 1		10 M 8 (DIN985)	x 1
		3  x 1 Art.nr-BL13B30A		
4  x 1	x 1			







Olifant trekhakeri