

# AUTO-HAK Sp. z o.o.

ul. Słoneczna 16K 76-200 SŁUPSK  
POLAND

tel/fax +48 59 8 414 414; +48 59 8 414 413

e-mail: [office@autohak.com.pl](mailto:office@autohak.com.pl)

[www.autohak.com.pl](http://www.autohak.com.pl)



# AUTO-HAK

## BMW X1 (F48)



10.2015 → 06.2022

Nr kat.

**B29A**



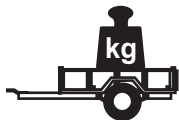
E20-55R-01 5885



2h

**D**

10,49 kN



R=2000 kg



S=85 kg



17,3 kg



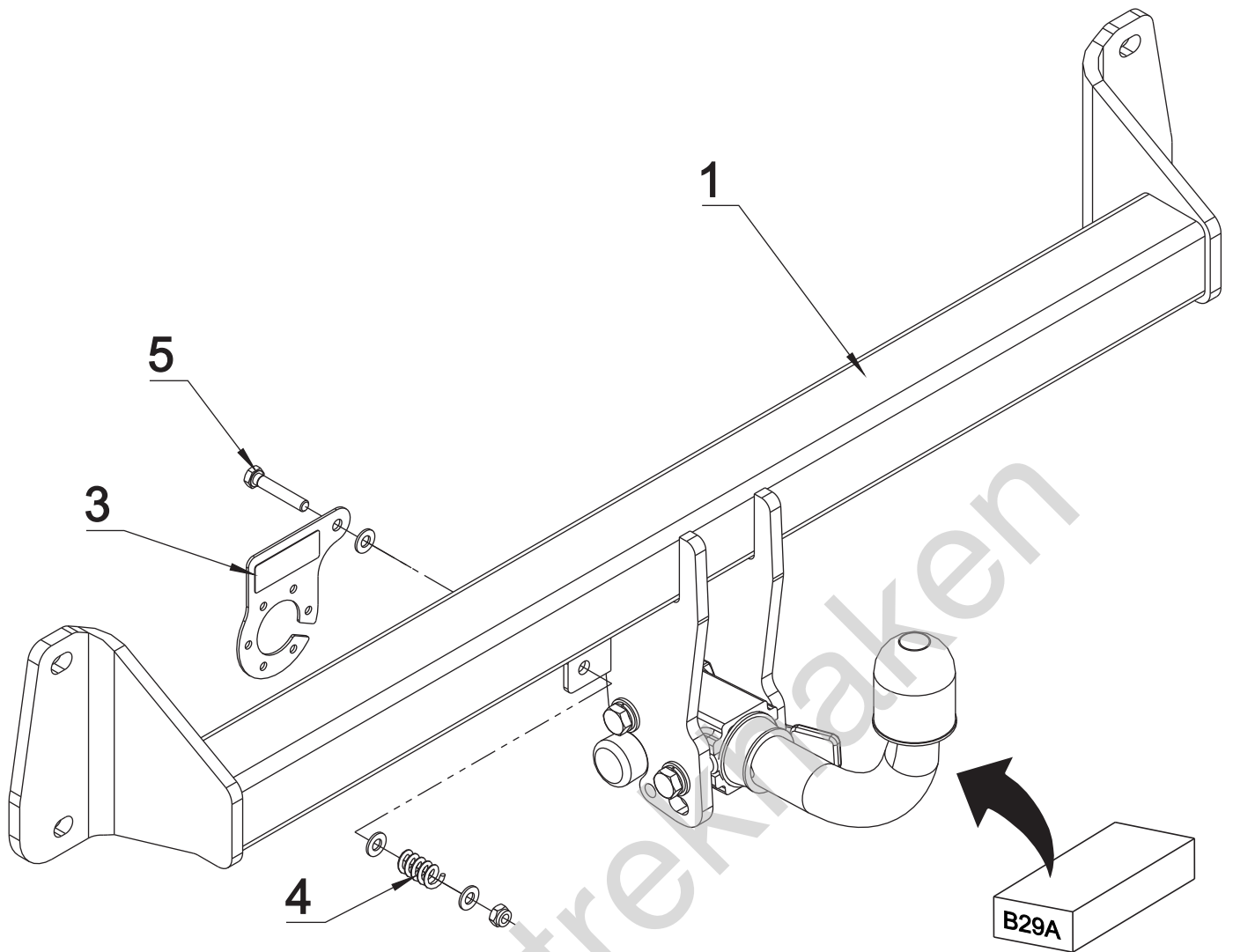
śruba	Nm	M6	M8	M10	M12	M14	M16
klasa 8.8		9,9	24	48	83	132	200
klasa 10.9		14	34	67	117	185	285

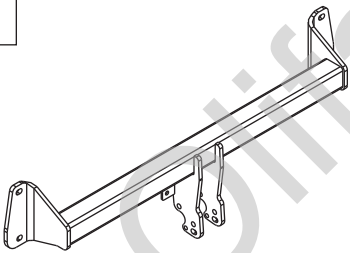



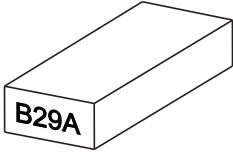




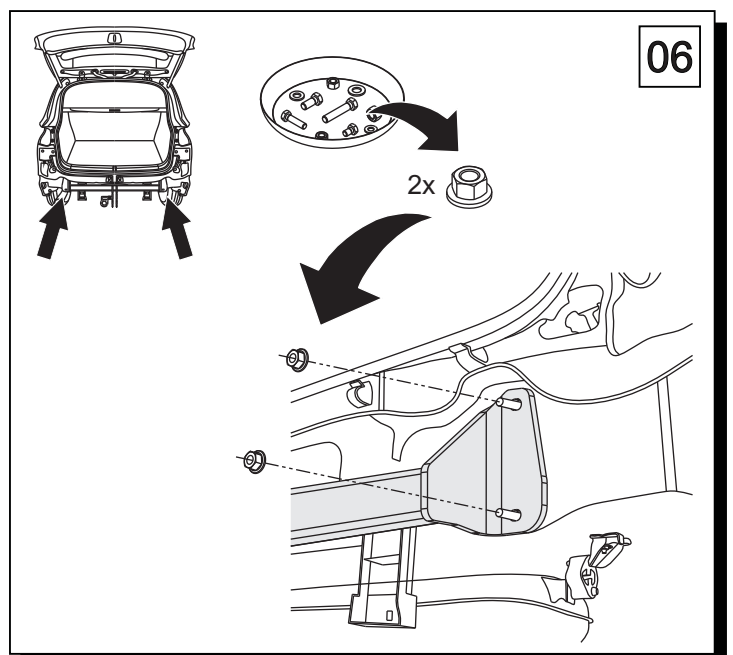
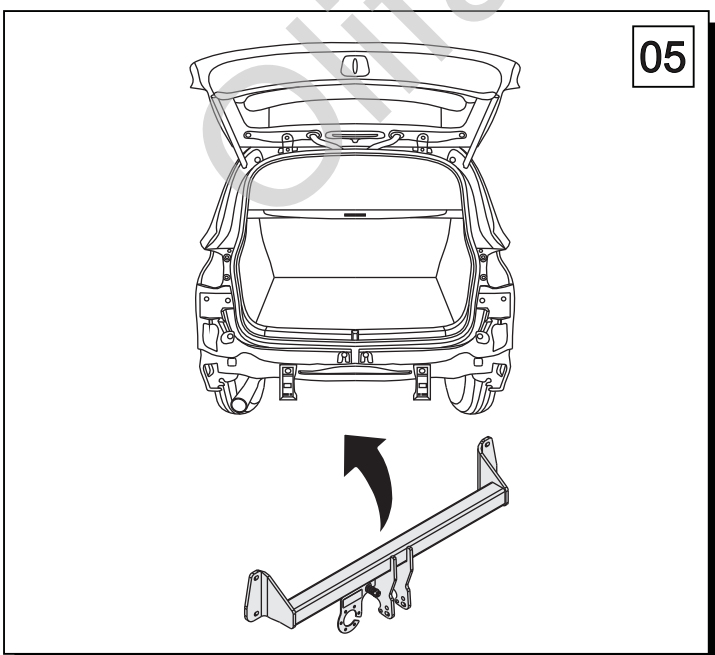
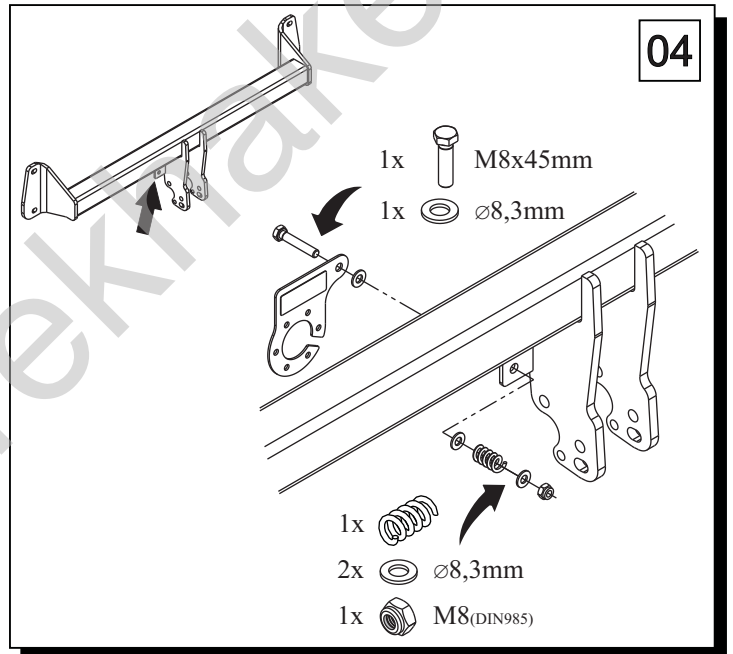
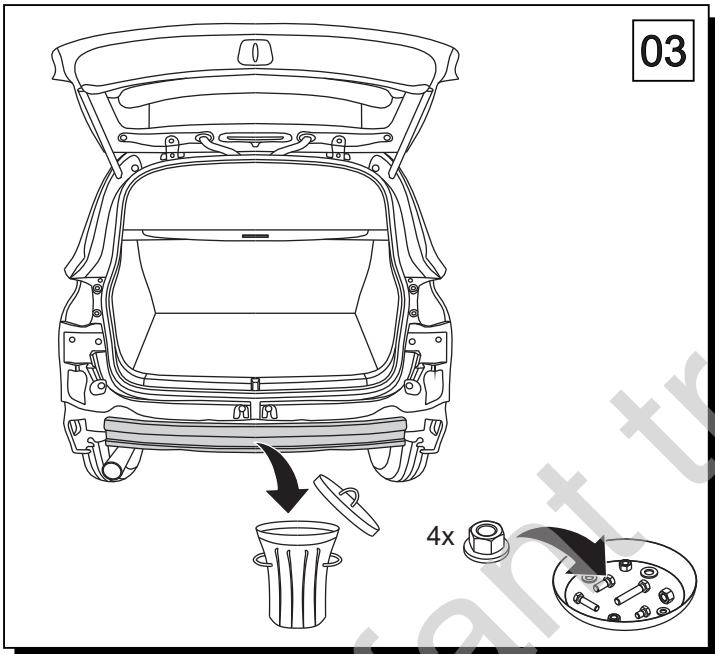
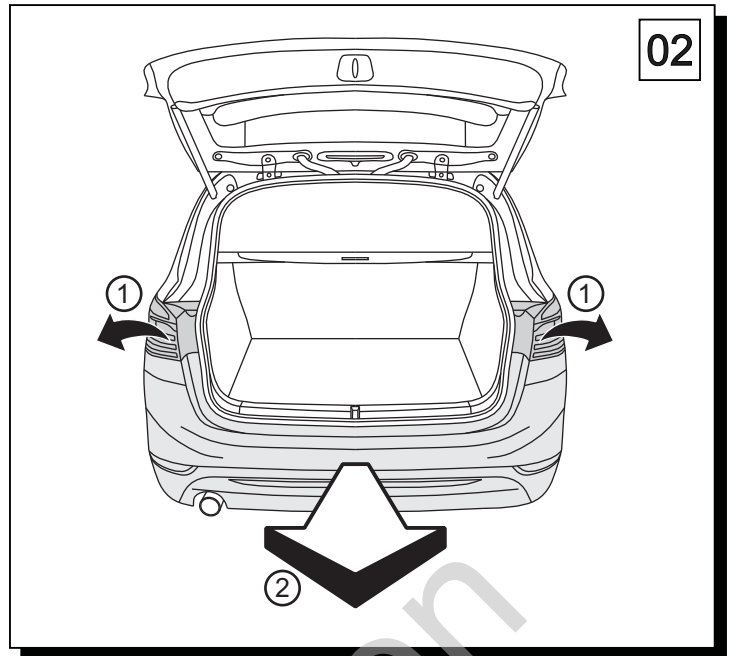
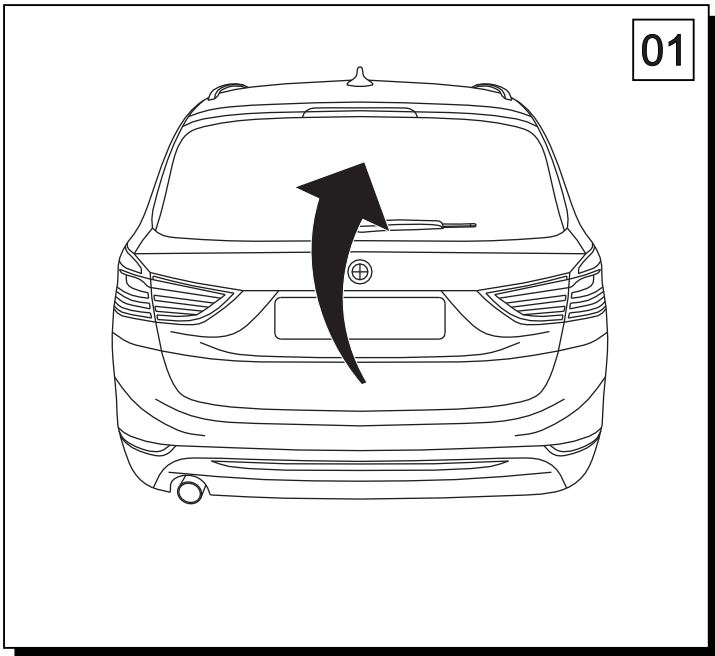
0 km →



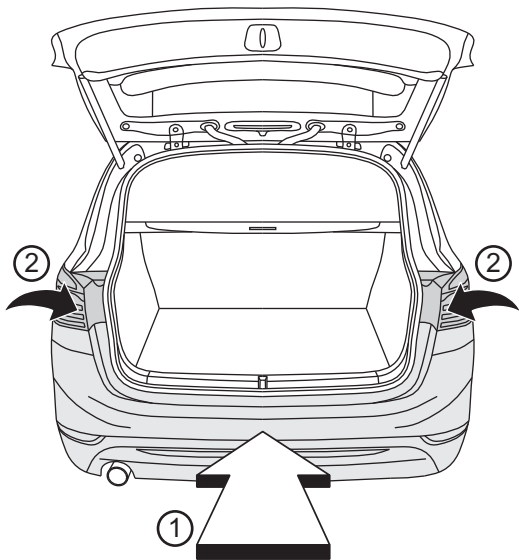
1000 km



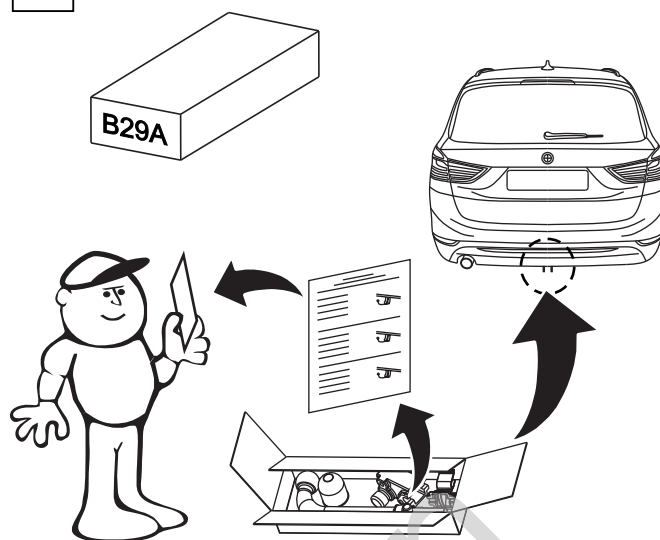
<b>1</b> 	<b>x 1</b>		<b>5</b> M 8x45	<b>x 1</b>
			<b>6</b> $\varnothing$ 8.3	<b>x 3</b>
			<b>7</b> M 8 (DIN985)	<b>x 1</b>
<b>2</b> 	<b>x 1</b>  Art.nr-KL1B29A			
<b>3</b> 	<b>x 1</b>  Art.nr-BL12B29A			
<b>4</b> 	<b>x 1</b>			



07



08



Olifant trekhaker