

AUTO-HAK Sp. z o.o.

ul. Słoneczna 16K 76-200 SŁUPSK
POLAND

tel/fax +48 59 8 414 414; +48 59 8 414 413

e-mail: office@autohak.com.pl

www.autohak.com.pl



AUTO-HAK

BMW

seria 5, G30, 4d., +M-Pakiet

Nr kat.

B28A



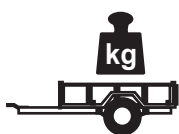
03.2017 →



E20-55R-01 5397



11,5 kN



R=2120 kg



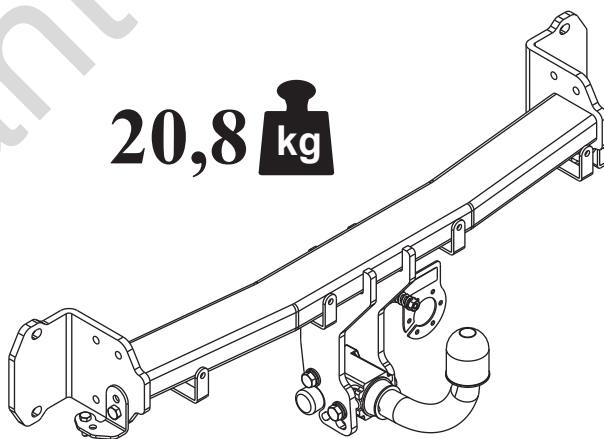
S=90 kg



2h



20,8 kg



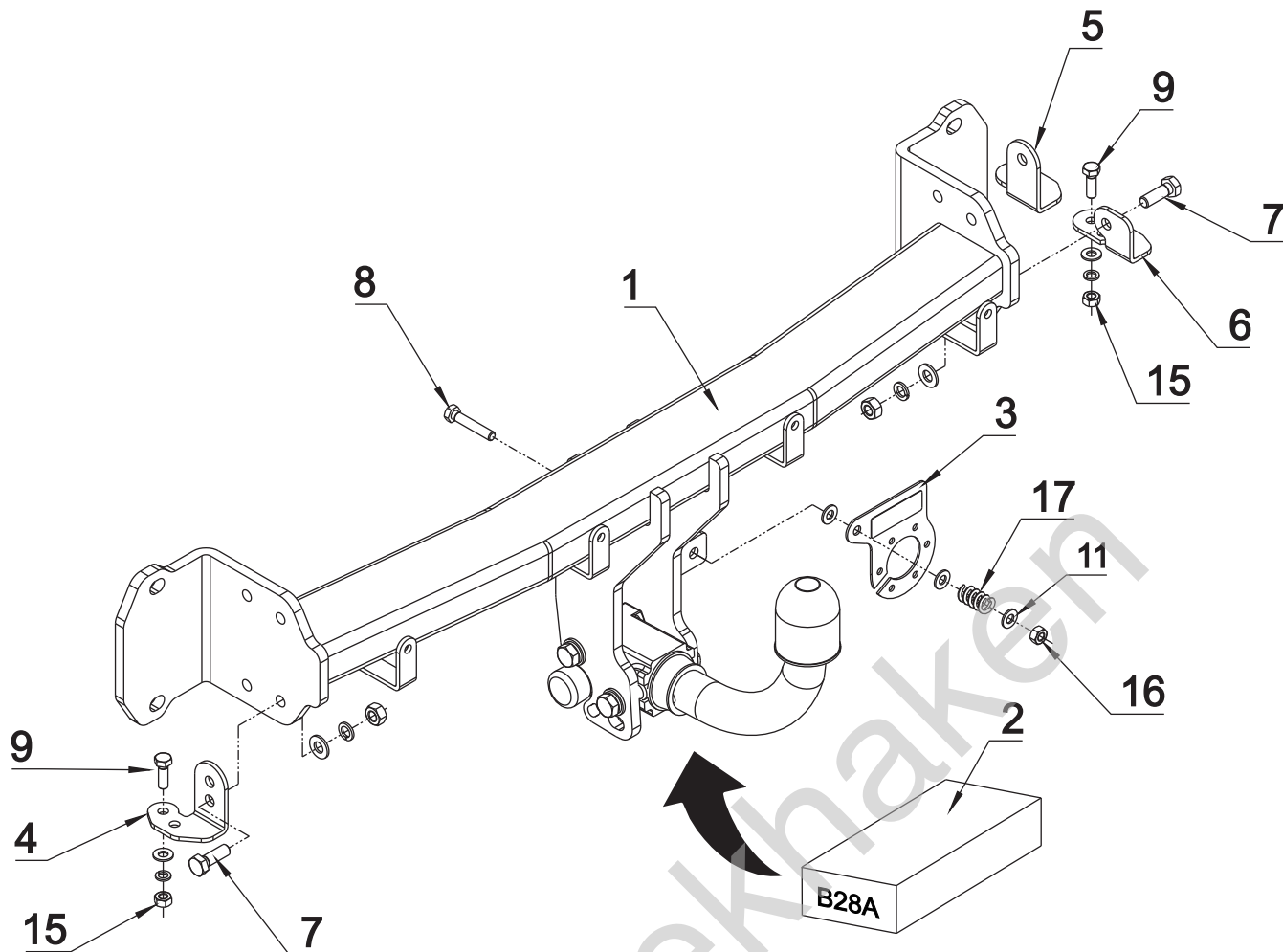
śruba	Nm	M6	M8	M10	M12	M14	M16
klasa 8.8		9,9	24	48	83	132	200
klasa 10.9		14	34	67	117	185	285

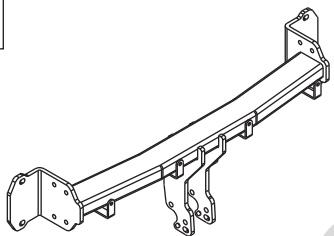

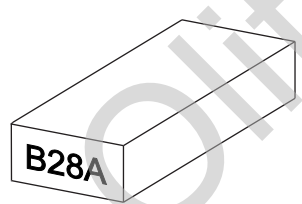

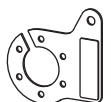


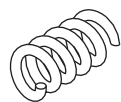




0 km →

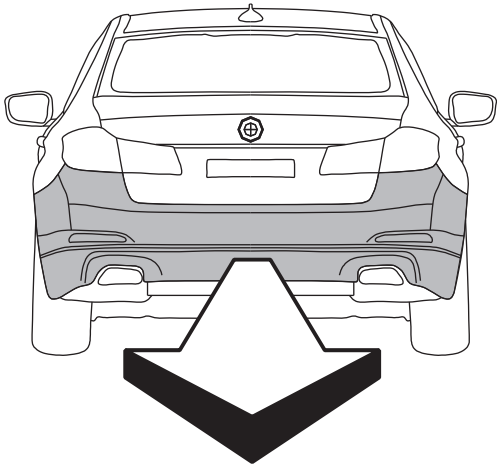


1000 km

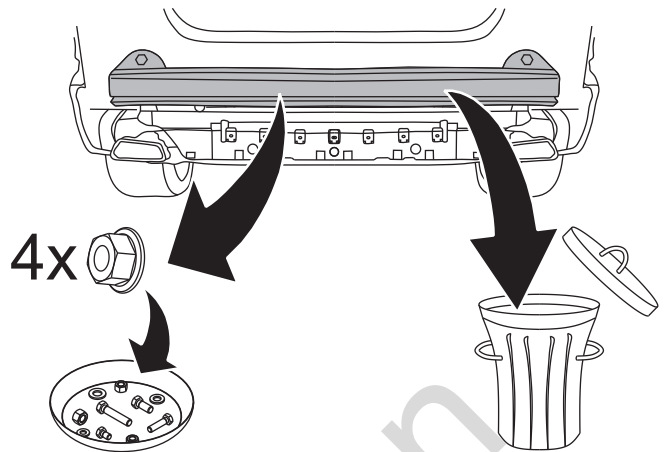


1 	x1		7 M10x30	x2
			8 M8x45	x1
			9 M8x25	x2
			10 \varnothing 10.5	x2
			11 \varnothing 8.5	x5
2 	x1 Art.nr-KL1B28A		12 \varnothing 10.2	x2
			13 \varnothing 8.2	x2
			14 M10	x2
			15 M8	x2
			16 M8 (DIN985)	x1
3 	x1 Art.nr-BL1B28A			
4 	x1	17 		x1
5 	x1			
6 	x1			

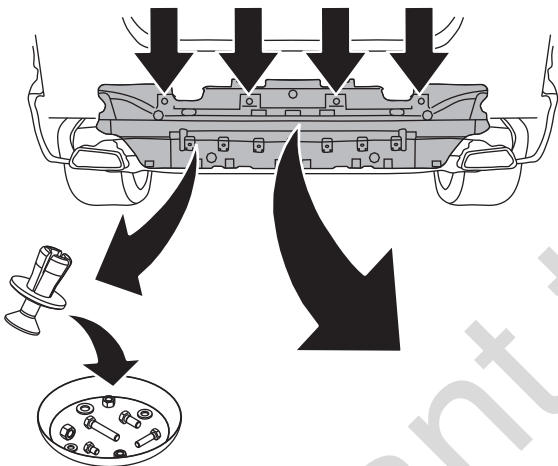
01



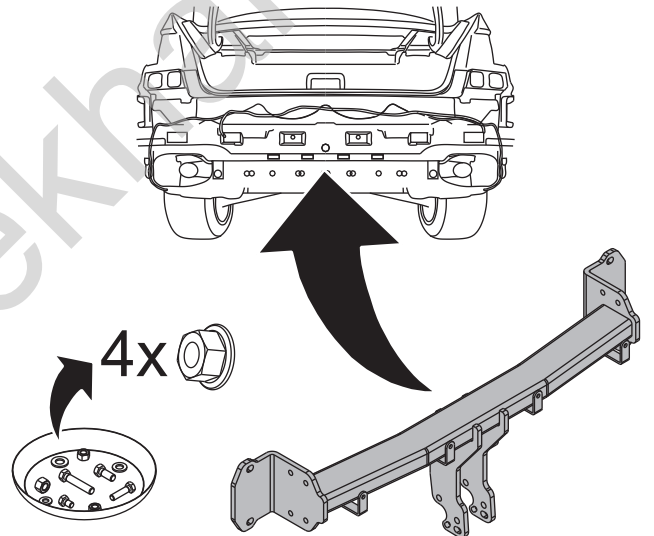
02



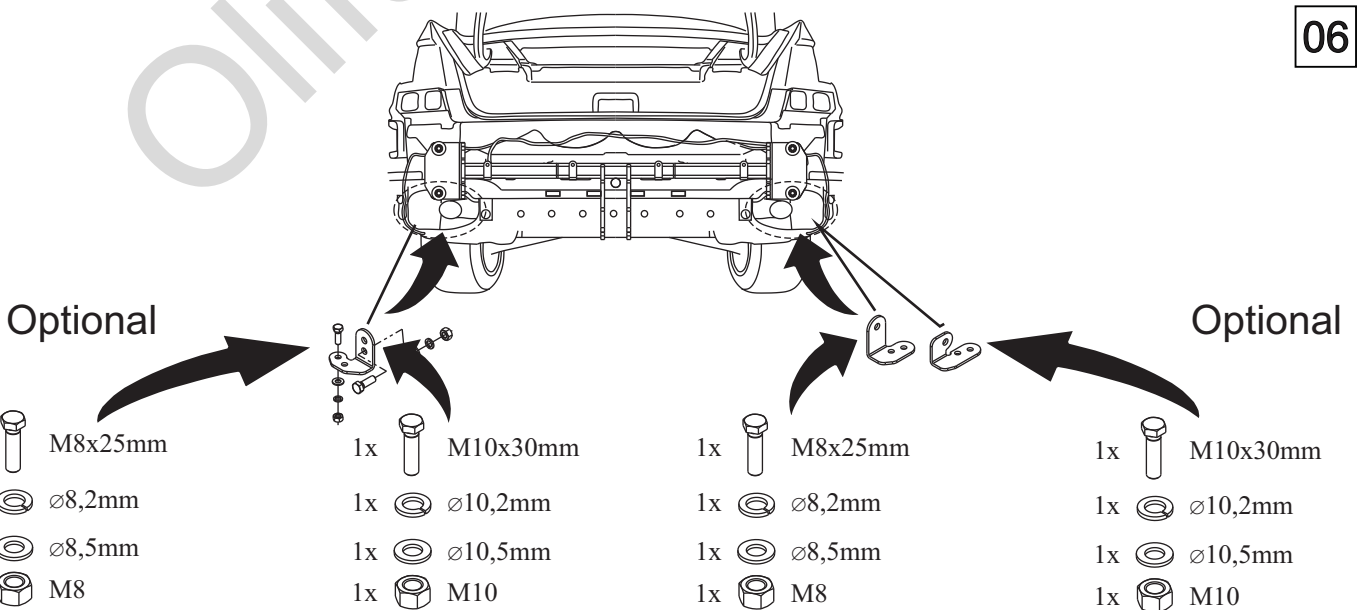
03



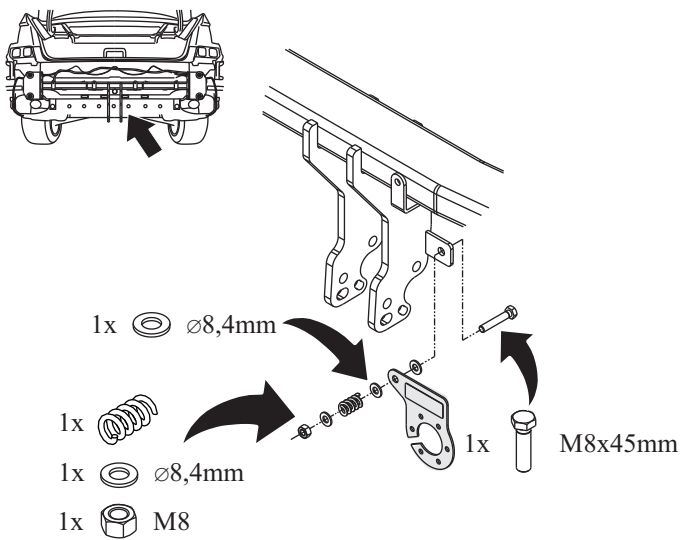
04



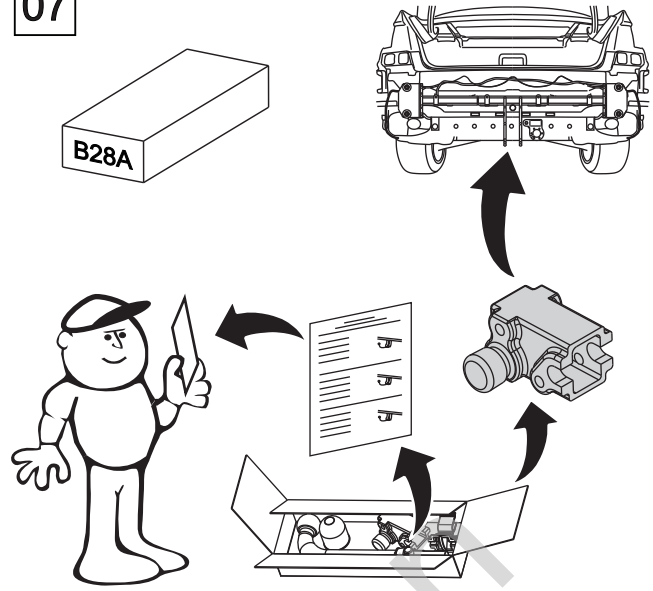
06



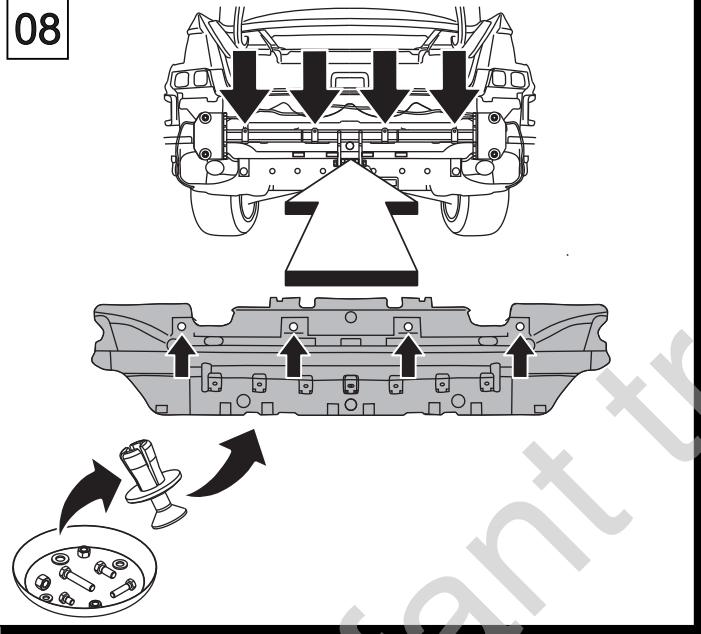
06



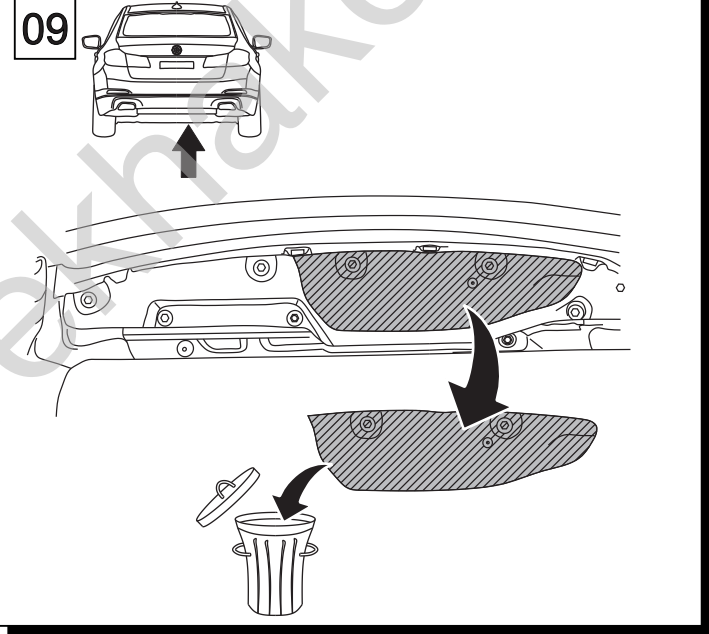
07



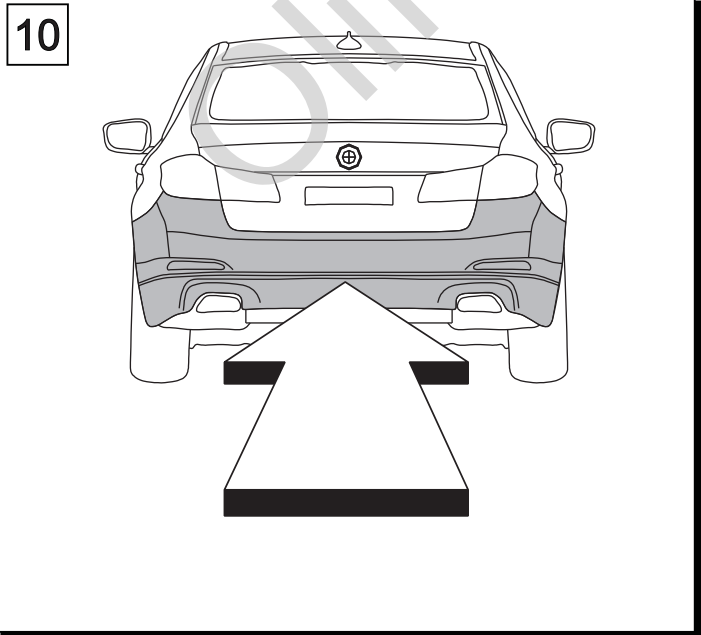
08



09



10



11

