

AUTO-HAK Sp. z o.o.

ul. Słoneczna 16K 76-200 SŁUPSK
POLAND

tel/fax +48 59 8 414 414; +48 59 8 414 413

e-mail: office@autohak.com.pl

www.autohak.com.pl



AUTO-HAK



**BMW 3 (F34)
GRAN TURISMO 5D**

Cat. no:

B26



03.2013 → 02.2014

03.2014 →



E20-55R-01 4827



2h



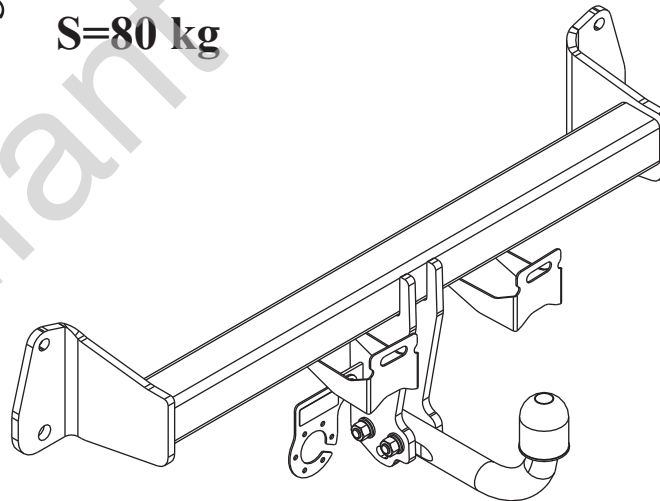
10,2 kN



R=1950 kg



S=80 kg



M6 - 8,5 Nm
M10 - 41 Nm
M14 - 112 Nm

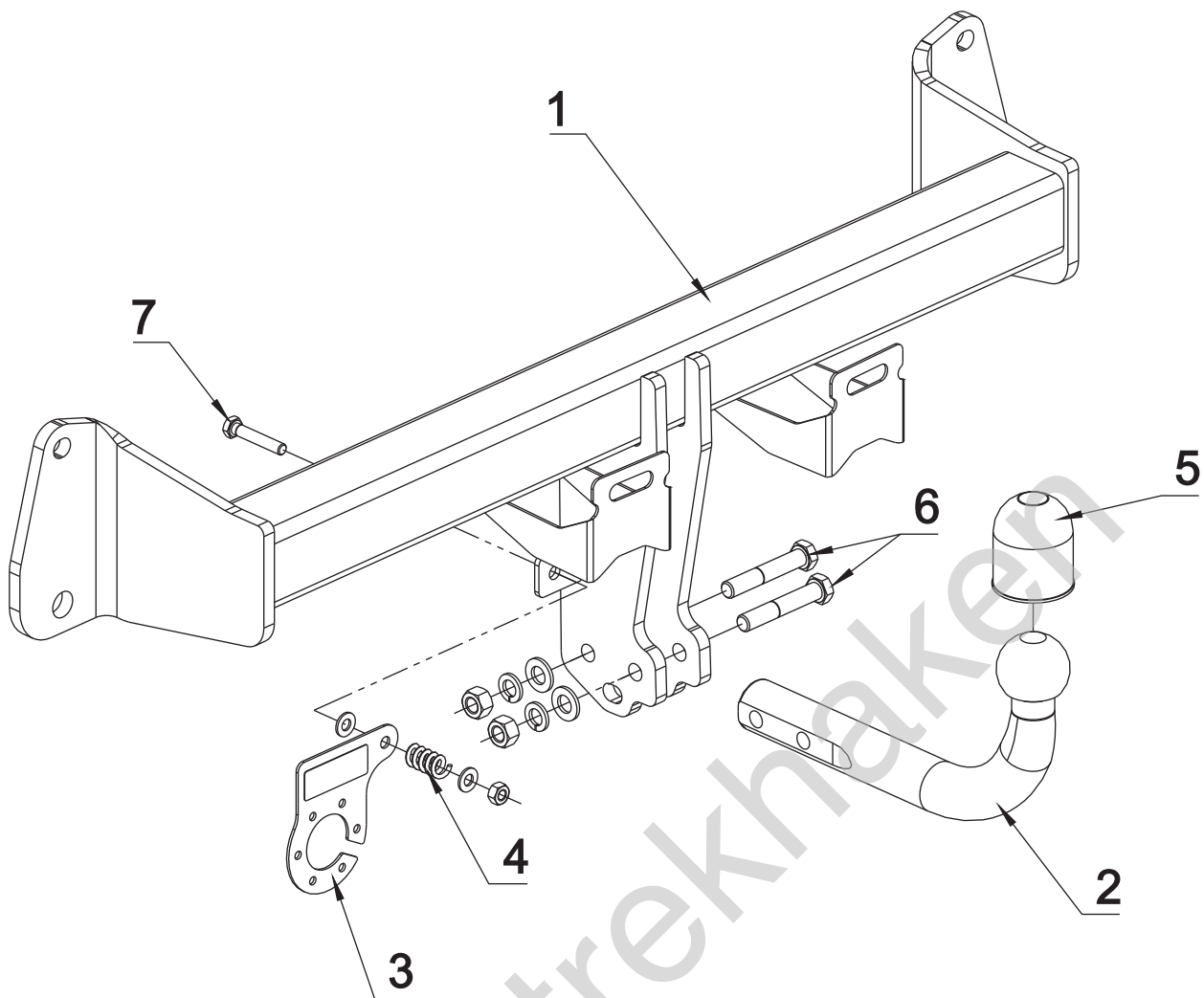
M8 - 20 Nm
M12 - 70 Nm
M16 - 170 Nm

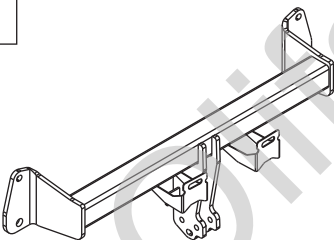

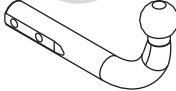
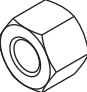





0 km →

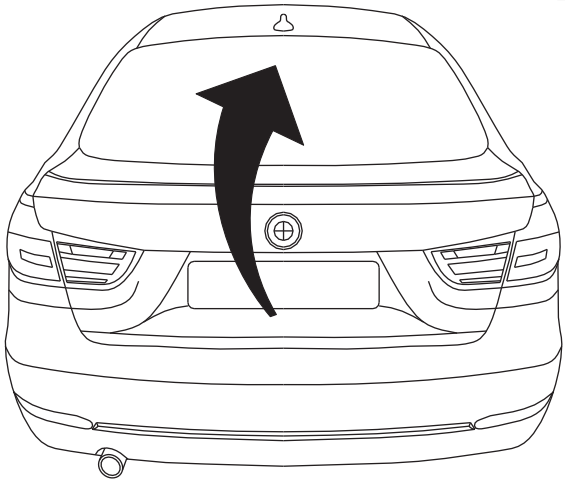


1000 km

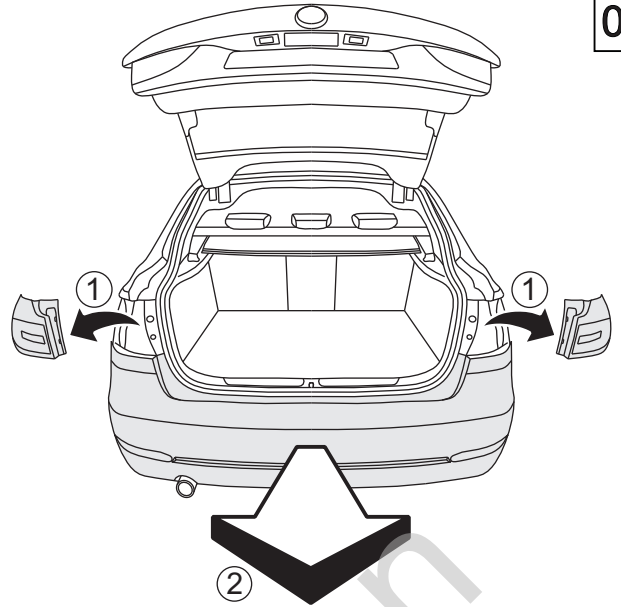


1		x 1		6	M12x70	x 2
				7	M8x45	x 1
				8	∅ 13	x 2
				9	∅ 8.5	x 2
				10	∅ 12.2	x 2
2		x 1		11	M12	x 2
	Art.nr-KL1B26			12	M8	x 1
3		x 1				
	Art.nr-BL1B26					
4		x 1				
5		x 1				

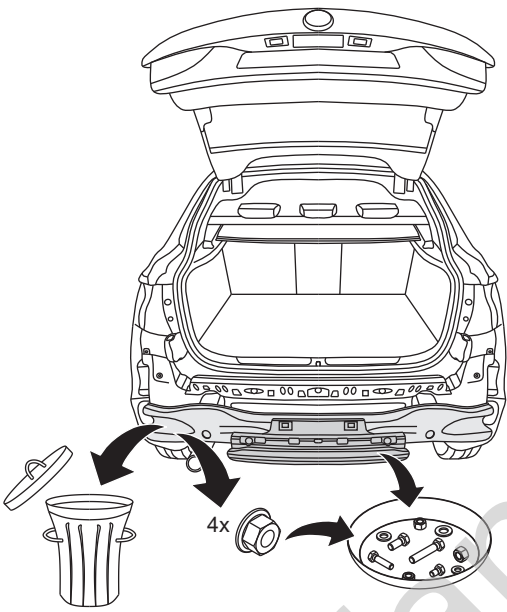
01



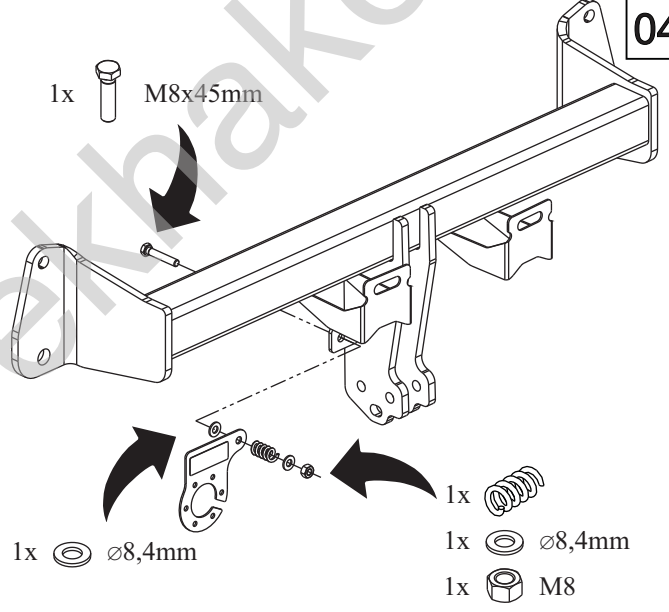
02



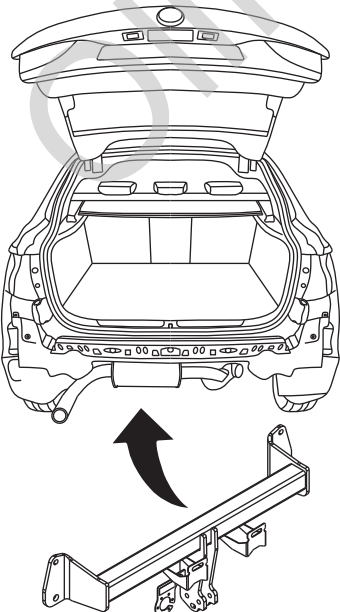
03



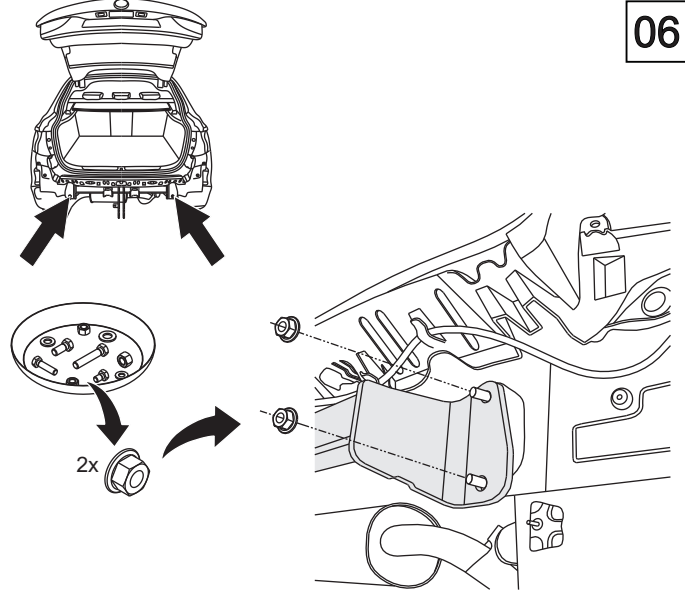
04

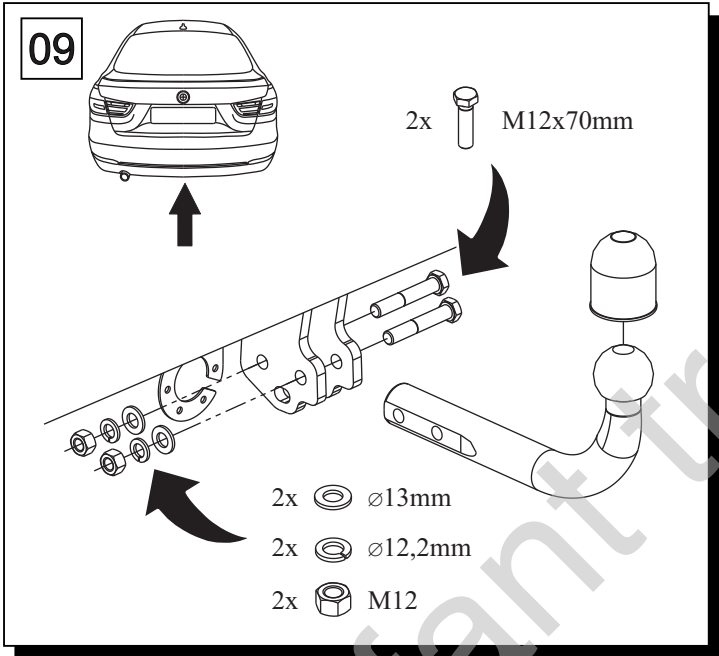
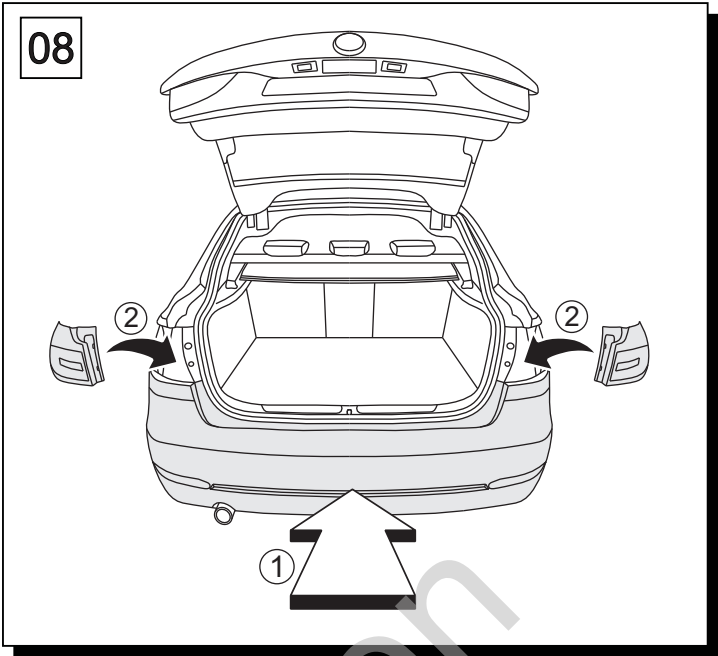
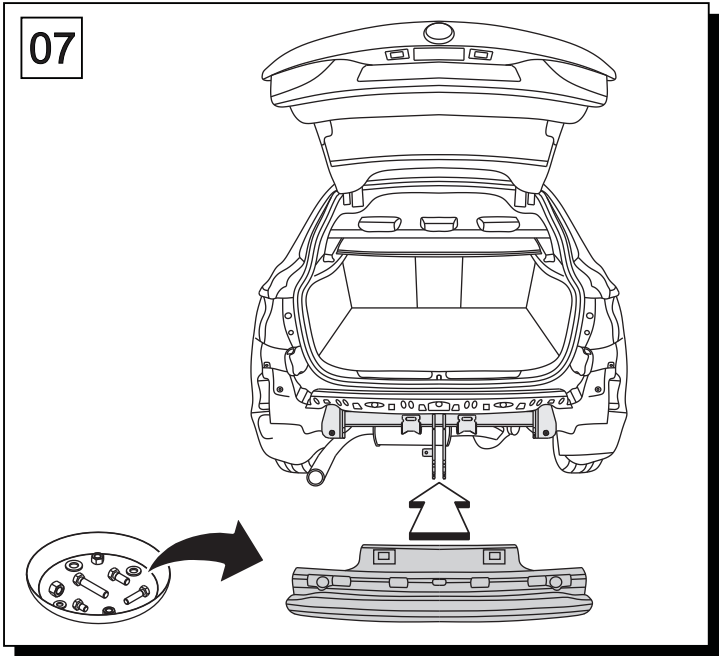


05



06





Olitanti trekhaken