

AUTO-HAK Sp. z o.o.

ul. Słoneczna 16K 76-200 SŁUPSK
POLAND

tel/fax +48 59 8 414 414; +48 59 8 414 413

e-mail: office@autohak.com.pl

www.autohak.com.pl



AUTO-HAK

BMW 1 3/5D, (F20/F21)

~~M-Pakiet~~

Cat. no:

⌚ 09.2011 → 02.2014

⌚ 03.2014 →

B25A

BMW 2 3D, (F22)

⌚ 03.2014 →

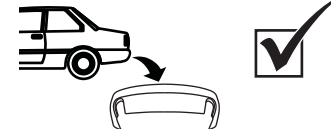
BMW 2 cabrio, (F23)

⌚ 02.2015 →



2h

E20 E20-55R-01 4620



D 8,8 kN



kg
R=1500 kg

S=75 kg

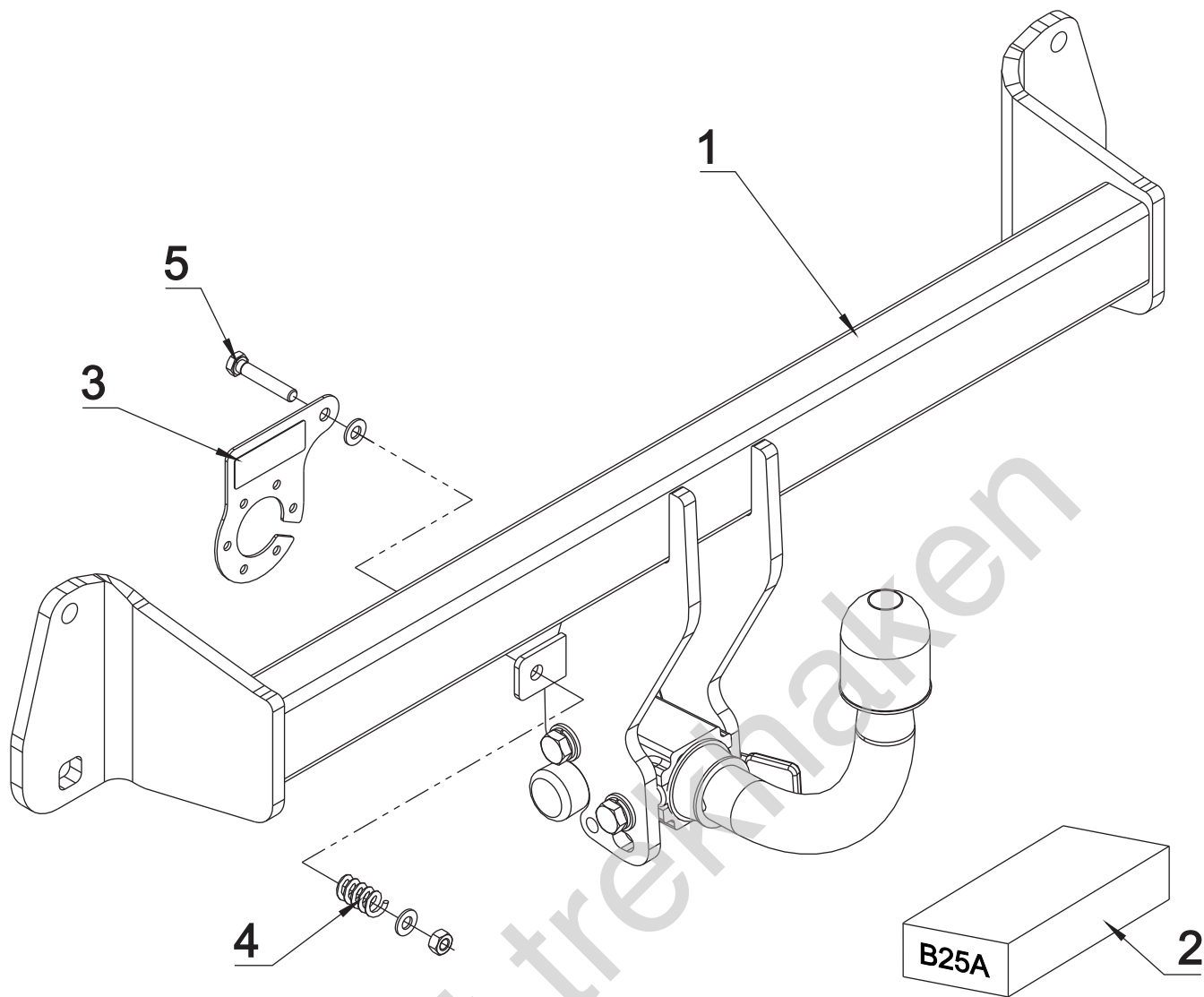
16,3 kg

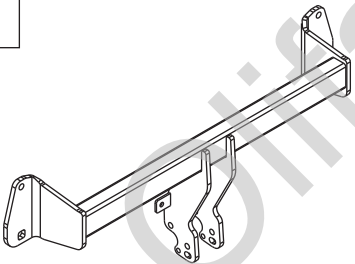


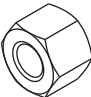
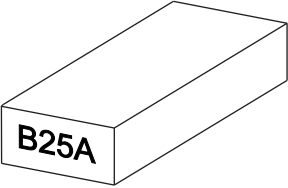
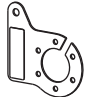
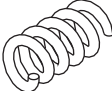


M6 - 11 Nm
M10 - 50 Nm
M14 - 138 Nm

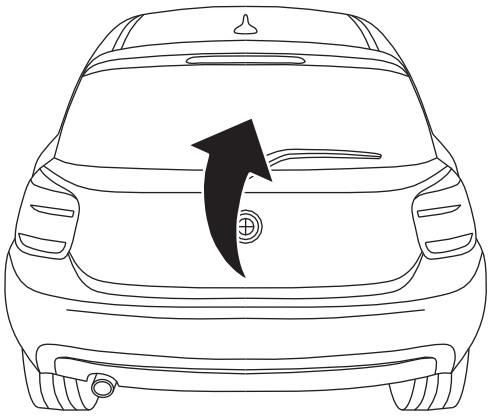
M8 - 25 Nm
M12 - 87 Nm
M16 - 210 Nm

⌚ 0 km → ⌚ 1000 km

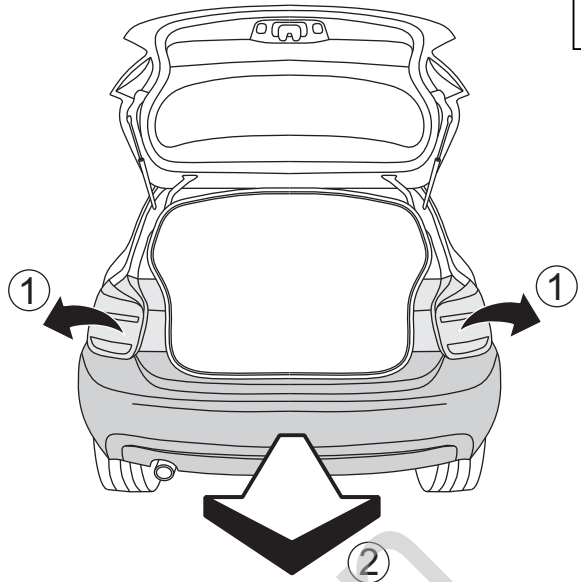


	x1		5 M8x45	x1
			6 ϕ 8.5	x2
			7 M8	x1
	x1	Art.nr-KL1B25A		
	x1	Art.nr-BL1B25A		
	x1			

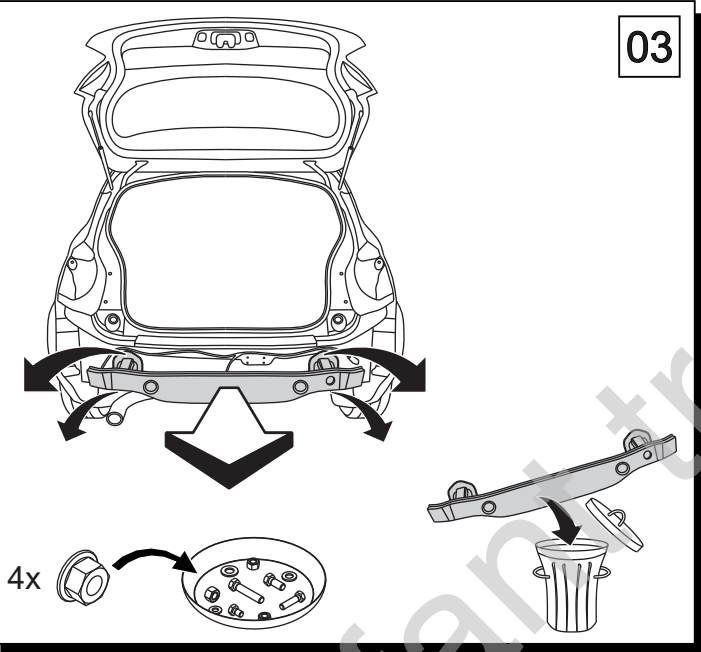
01



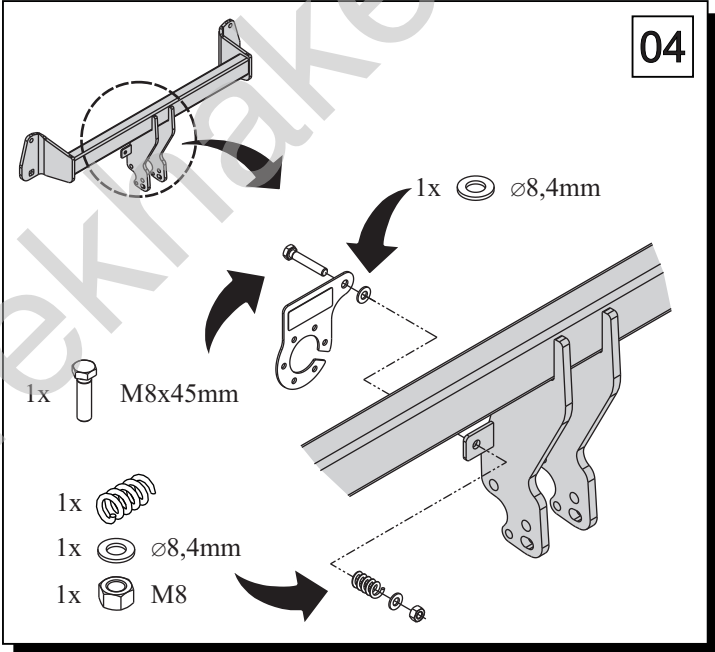
02



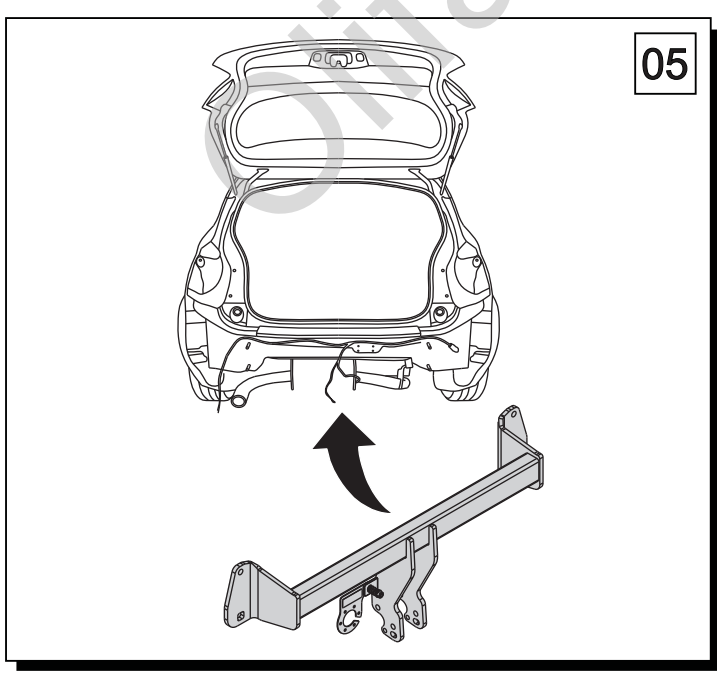
03



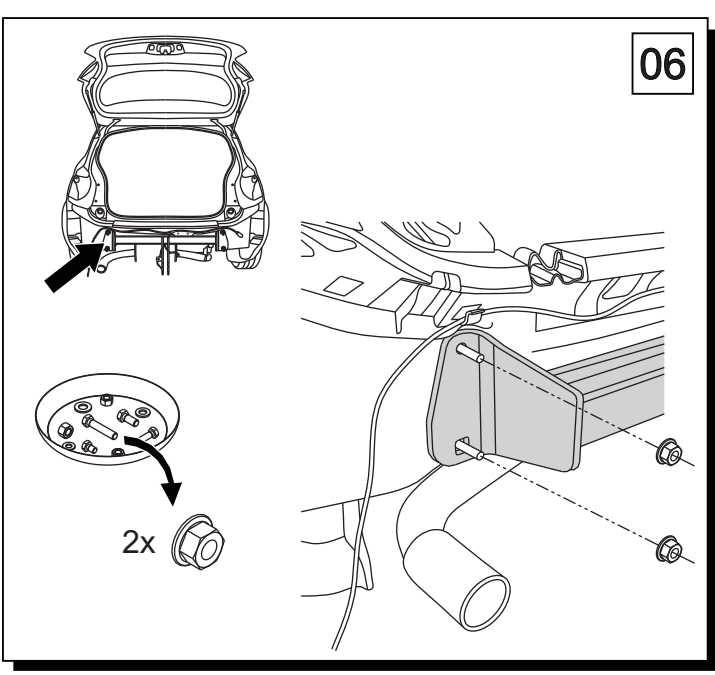
04

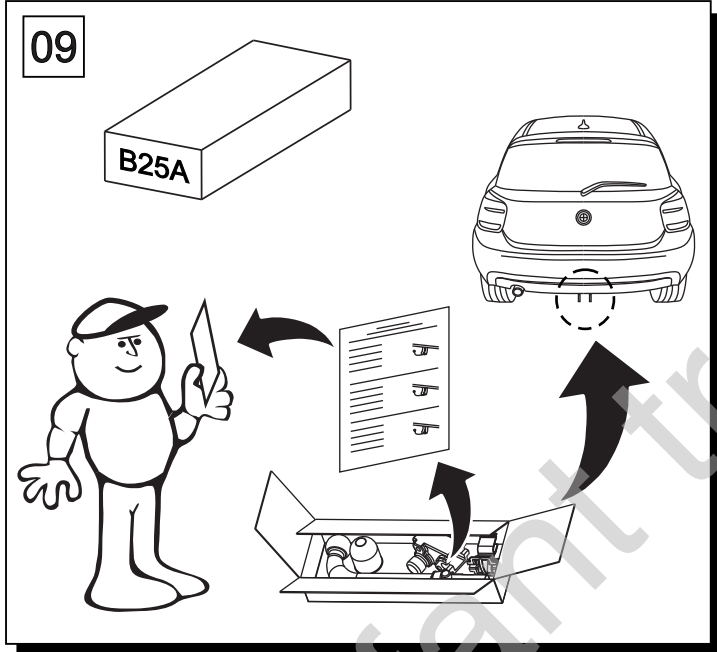
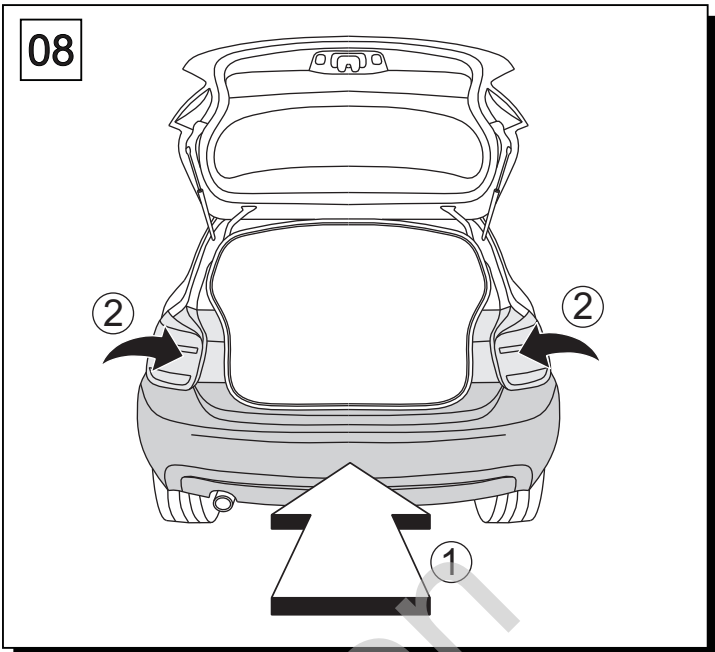
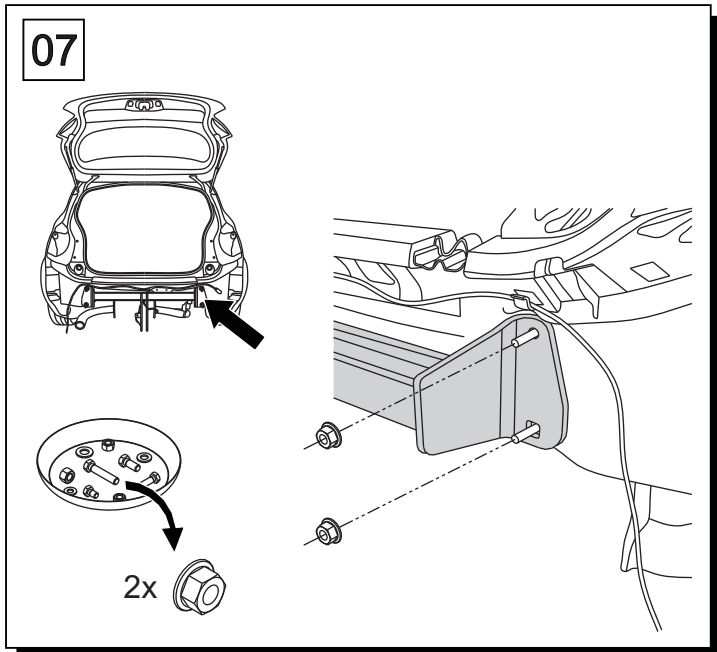


05



06





Olittant trekhakeri